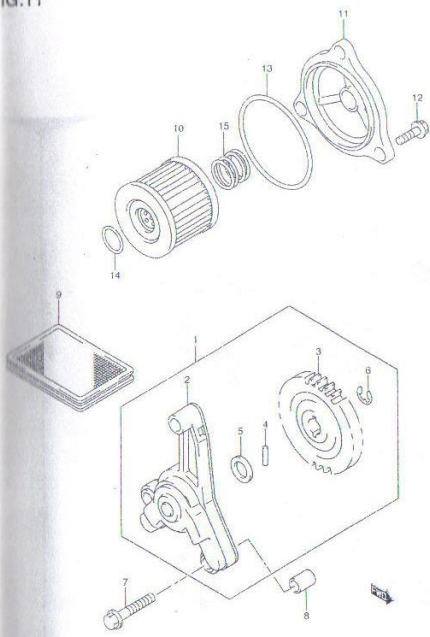


FIG.11



FD110CK4 P09_011
OIL PUMP

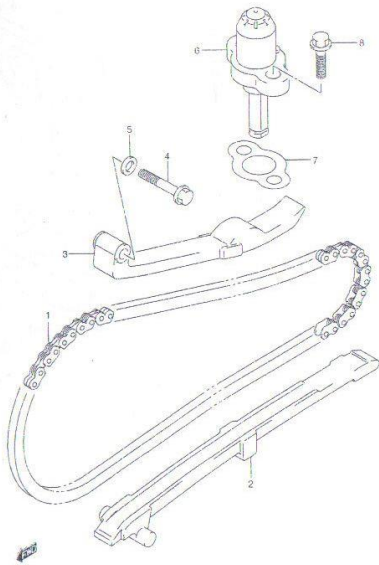
FIG.11 OIL PUMP FD110CK4P9

| REF. Nº | PART NO | DESCRIPCION | QTY | REMARKS |
|---------|-------------|--|-----|---------|
| 1 | 16000-09G20 | PUMP SET, ENGINE OIL | 1 | |
| 2 | 16400-09G20 | .PUMP ASSY, ENGINE OIL | 1 | |
| 3 | 16331-09G00 | .GEAR, OIL PUMP DRIVEN (NT:31) | 1 | |
| 4 | 09261-02008 | .PIN | 1 | |
| 5 | 09181-08139 | WASHER (8X14X1) | 1 | |
| 6 | 08332-11063 | .E RING | 1 | |
| 7 | 01547-06303 | BOLT | 3 | |
| 8 | 04211-09129 | PIN | 2 | |
| 9 | 16520-30A00 | STRAINER, ENGINE OIL | 1 | |
| 10 | 16510-05240 | FILTER, ENGINE OIL | 1 | |
| 11 | 16512-09G00 | CAP, OIL FILTER | 1 | |
| 12 | 01547-06163 | BOLT | 3 | |
| 13 | 09280-54001 | O RING, OIL FILTER CAP (D:2.4, ID:52.6) | 1 | |
| 14 | 09280-12009 | O RING, OIL FILTER (D:1.9, ID:12.6) | 1 | |
| 15 | 09440-18002 | SPRING | 1 | |

FD110CK4P9

FIG.7

FIG.7



FD110CK4 P09_007
CAM CHAIN

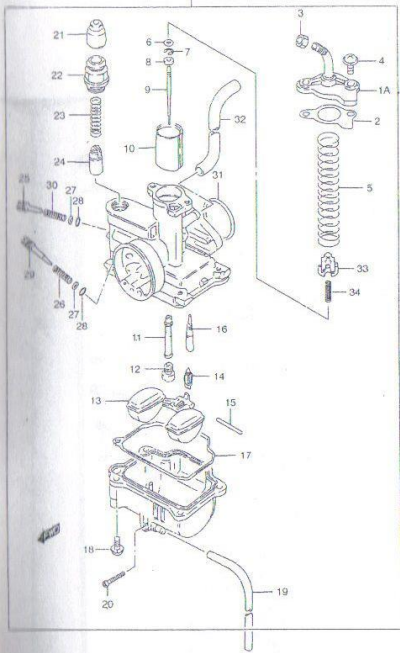
FIG.7 CAM CHAIN FD110CK4P9

| REF. Nº | PART NO | DESCRIPCION | QTY | REMARKS |
|---------|-------------|----------------------------|-----|---------|
| 1 | 12760-09G00 | CHAIN, CAM SHAFT DRIVE | 1 | |
| 2 | 12771-09G00 | GUIDE, CAM CHAIN | 1 | |
| 3 | 12811-09G00 | TENSIONER, CAM CHAIN | 1 | |
| 4 | 09103-06247 | BOLT, CAM CHAIN TENSIONER | 1 | |
| 5 | 09168-06004 | GASKET | 1 | |
| 6 | 12830-09G00 | ADJUSTER ASSY, TENSIONER | 1 | |
| 7 | 12837-09G00 | GASKET, TENSIONER ADJUSTER | 1 | |
| 8 | 01547-06203 | BOLT (6X20) | 2 | |

MOTO MONSTER
John Jairo Molina
Moto Parts
Motos 2 y 4 tiempos
MOVIL 316 4025473
8815014

FD110CK4P9

FIG.8



FD110CK4 P09_008
CARBURETOR

FIG.8 CARBURETOR FD110CK4P9

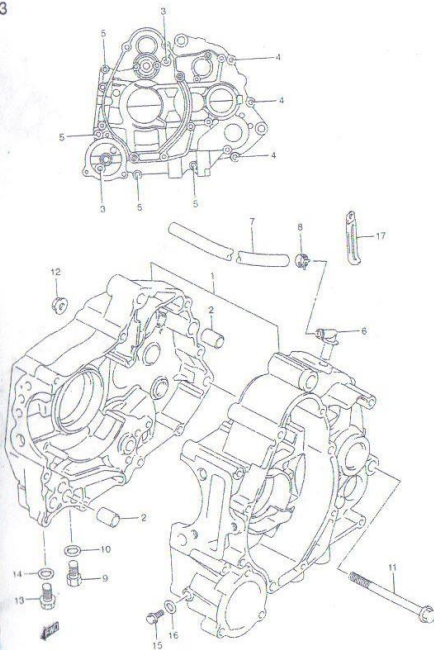
| REF. Nº | PART NO | DESCRIPCION | QTY | REMARKS |
|---------|-----------------|-------------------------|-----|-----------|
| 1 | 13200-30DC0 | CARBURETOR ASSY | 1 | |
| 1A | 13261-30D00 | .CAP | 1 | |
| 2 | 13249-30A10 | .GASKET | 1 | |
| 3 | 13661-02B00 | .NUT | 1 | |
| 4 | 02112-34123 | .SCREW | 2 | |
| 5 | 13573-30DC0 | .SPRING | 1 | |
| 6 | 13382-23F00 | .WASHER | 1 | |
| 7 | 13533-98410 | .E RING | 1 | |
| 8 | 13387-09G10 | .RING | 1 | |
| 9 | 13383-30DC0 | .NEEDLE, JET (4PA14-2) | 1 | |
| 10 | 13551-30DC0 | .VALVE, PISTON (CA:2.5) | 1 | |
| 11 | 13341-30DC0 | .JET, NEEDLE (D-7) | 1 | |
| 12 | 09491-82011 | .JET, MAIN (82.5) | 1 | |
| 13 | 13250-30D50 | .FLOAT ASSY | 1 | |
| 14 | 13370-09D00 | .VALVE, NEEDLE | 1 | |
| 15 | 13254-20010 | .PIN | 1 | |
| 16 | 09492-15011 | .JET, PILOT (15.0) | 1 | |
| 17 | 13258-30A00 | .O RING | 1 | |
| 18 | 13601-04148 | .SCREW | 4 | |
| 19 | 09355-25705-600 | .HOSE (2.5X7X600) | 1 | L:6001225 |
| 20 | 13247-13A00 | .SCREW | 1 | |
| 21 | 13681-04010 | .CAP | 1 | |
| 22 | 13418-43410 | .HOLDER | 1 | |
| 23 | 13417-01010 | .SPRING | 1 | |
| 24 | 13411-01010 | .PLUNGER | 1 | |

FD110CK4P9

FIG.8

FD110CK4 P09_008
CARBURETOR

FIG.3



FD110CK4 P09_003
CRANKCASE

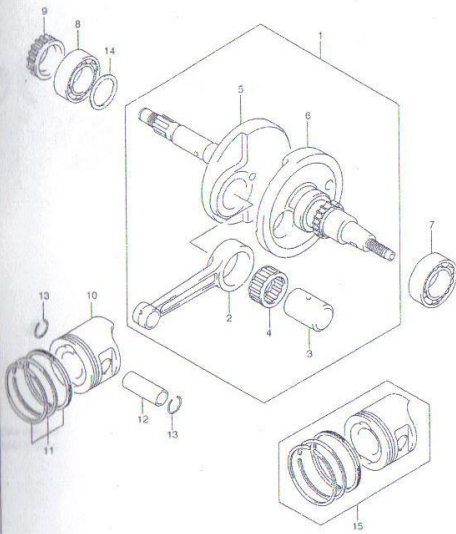
FIG.3 CRANKCASE FD110CK4P9

| REF. Nº | PART NO | DESCRIPCION | QTY | REMARKS |
|---------|-----------------|---------------------------|-----|-----------|
| 1 | 11300-09G21 | CRANKCASE ASSY | 1 | |
| 2 | 04211-13189 | .PIN | 2 | |
| 3 | 01547-06403 | .SCREW | 2 | |
| 4 | 01547-06503 | .SCREW | 3 | |
| 5 | 01547-06753 | .SCREW | 4 | |
| 6 | 16910-23F00 | UNION, BREATHER HOSE | 1 | L:6001270 |
| 7 | 09352-70113-600 | HOSE, BREATHER | 2 | |
| 8 | 09401-10409 | .CLIP | 1 | |
| 9 | 01500-10163 | PLUG, OIL DRAIN | 1 | |
| 10 | 09168-10002 | .GASKET | 2 | |
| 11 | 09103-10087 | BOLT (L:100) | 2 | |
| 12 | 08319-31103 | NUT | 1 | |
| 13 | 09247-10008 | PLUG, OIL GALLERY (10X12) | 1 | |
| 14 | 09168-10002 | GASKET (9.9X14X0.3) | 1 | |
| 15 | 01547-06123 | PLUG, OIL GALLERY | 1 | |
| 16 | 09168-06004 | GASKET | 1 | |
| 17 | 09404-06431 | .CLAMP | 1 | |

FD110CK4P9

REVISOR: [illegible]
Carrera 16 No. 12-07
Tels: 3342716 331601

FIG.5



FD110CK4 P09_005
CRANKSHAFT

FIG.5 CRANKSHAFT FD110CK4P9

| REF. Nº | PART NO | DESCRIPCION | QTY | REMARKS |
|---------|-----------------|---------------------------|-----|---------|
| 1 | 12200-09G20 | CRANKSHAFT ASSY | 1 | |
| 2 | 12161-09G00-0C0 | ROD, CONNECTING | 1 | |
| 3 | 12211-20G00 | PIN, CRANK | 1 | |
| 4 | 09263-28029-0B0 | BEARING | 1 | |
| 5 | 12221-09G00 | CRANKSHAFT, RH | 1 | |
| 6 | 12261-09G00 | CRANKSHAFT, LH | 1 | |
| 7 | 09262-35063 | BEARING, LH | 1 | |
| 8 | 09262-25122 | BEARING, RH | 1 | |
| 9 | 16321-23F00 | GEAR, OIL PUMP DRIVE | 1 | |
| 10 | 12111-09G00 | PISTON (STD) | 1 | |
| 11-1 | 12140-20G00 | RING SET, PISTON | 1 | |
| 11-2 | 12140-23F00-050 | RING SET, PISTON (OS:0.5) | 1 | OPT |
| 12 | 12151-20G00 | PIN, PISTON | 1 | |
| 13 | 09381-14001 | CIRCLIP | 2 | |
| 14-1 | 09181-25051 | SHIM (T:0.60) | 1 | |
| 14-2 | 09181-25052 | SHIM (T:0.65) | 1 | |
| 14-3 | 09181-25053 | SHIM (T:0.70) | 1 | |
| 14-4 | 09181-25054 | SHIM (T:0.75) | 1 | |
| 14-5 | 09181-25055 | SHIM (T:0.80) | 1 | |
| 14-6 | 09181-25056 | SHIM (T:0.85) | 1 | |
| 14-7 | 09181-25057 | SHIM (T:0.90) | 1 | |
| 14-8 | 09181-25058 | SHIM (T:0.95) | 1 | |
| 14-9 | 09181-25059 | SHIM (T:1.00) | 1 | |
| 14-10 | 09181-25060 | SHIM (T:1.05) | 1 | |
| 14-11 | 09181-25061 | SHIM (T:1.10) | 1 | |
| 14-12 | 09181-25062 | SHIM (T:1.15) | 1 | |
| 14-13 | 09181-25063 | SHIM (T:1.20) | 1 | |
| 14-14 | 09181-25179 | SHIM (T:1.25) | 1 | |
| 14-15 | 09181-25181 | SHIM (T:1.30) | 1 | |
| 15 | 12100-09G00-050 | PISTON SET (OS:0.5) | 1 | OPT |

MOTO MONSTER
John Jairo Molina
Técnico
Mecánica 2 y 4 Tiempos
MOVIL: 316 4025473
para 15 No. 12-0-
8842716 8215014

FD110CK4P9

FIG.12

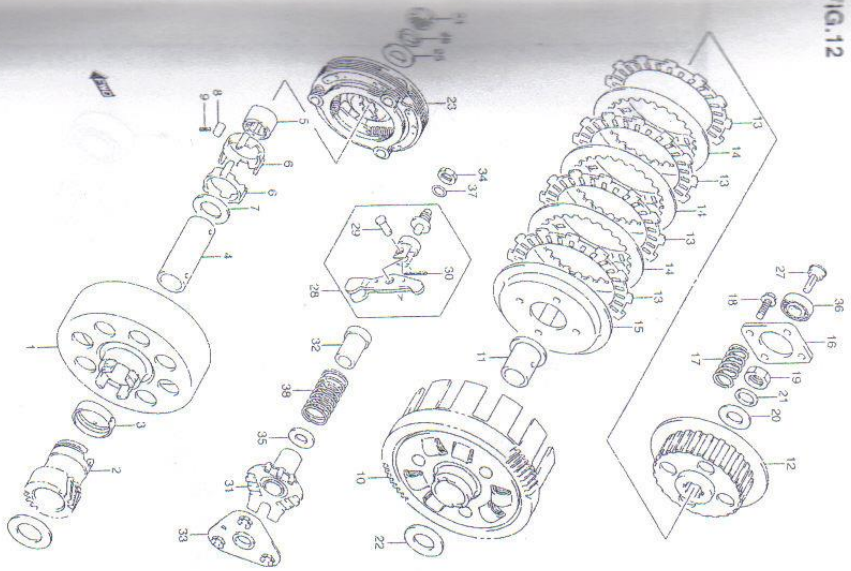


FIG.12

CLUTCH

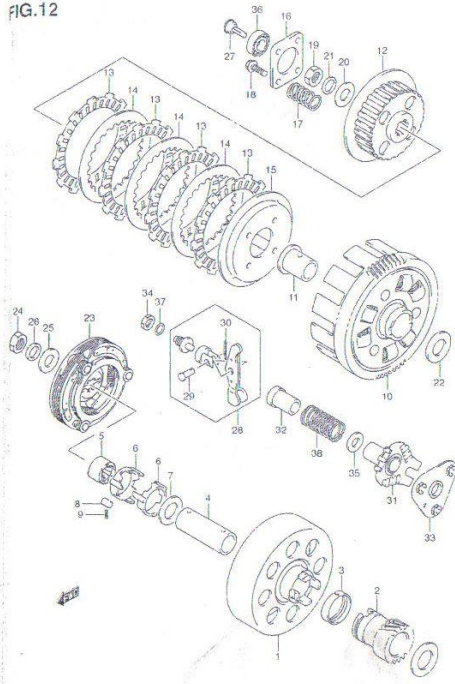
FD110CK4P9

| REF.№ | PART NO | DESC:RIPCION | QTY | REMARKS |
|-------|-------------|----------------------------|-----|-----------|
| 31 | 23230-20G00 | GUIDE, RELEASE BALL OUTER | 1 | |
| 32 | 23234-23F00 | SPACER, RELEASE ARM | 1 | |
| 33 | 23250-20G00 | BALL, CLUTCH RELEASE | 1 | |
| 34 | 09140-12046 | NUT, CLUTCH RELEASE ADJUST | 1 | |
| 35 | 09160-10085 | WASHER, RELEASE ARM | 1 | 10X20X2.3 |
| 36 | 09262-15032 | BEARING, PUSH PIECE THRUST | 1 | 15X32X8 |
| 37 | 09280-12004 | O RING (D:1.9, ID:11.8) | 1 | |
| 38 | 09440-19025 | SPRING, RELEASE ARM | 1 | |

FD110CK4 P09_012
CLUTCH

FD110CK4P9

FIG.12



FD110CK4 P09_012
CLUTCH

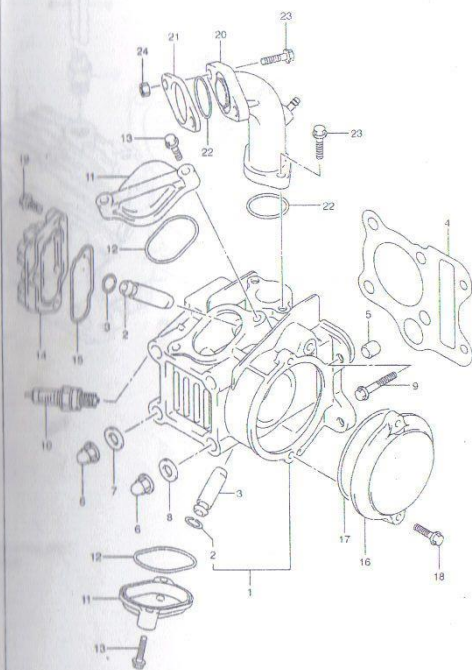
FIG.12 CLUTCH FD110CK4P9

| REF.N° | PART NO | DESCRIPCION | QTY | REMARKS |
|--------|-------------|----------------------------|-----|-----------|
| 1 | 21102-09G00 | HOUSING, CLUTCH 1ST | 1 | |
| 2 | 21111-09G00 | GEAR, PRIMARY DRIVE | 1 | |
| 3 | 21114-23F00 | RING, PRIMARY DRIVE GEAR | 1 | |
| 4 | 21119-23F01 | SPACER, PRIMARY DRIVE | 1 | |
| 5 | 21631-21D02 | RACE, ONE WAY CLUTCH INR | 1 | |
| 6 | 21652-23F00 | RETAINER, ONE WAY CLUTCH | 2 | |
| 7 | 09181-18002 | WASHER, PRI DRIVE GEAR | 2 | |
| 8 | 09261-07006 | ROLLER, ONE WAY CLUTCH | 3 | |
| 9 | 09440-02002 | SPRING, ONE WAY CLUTCH | 3 | |
| 10 | 21200-09G10 | GEAR ASSY, PRIMARY DRIVEN | 1 | |
| 11 | 21251-23F20 | SPACER, PRI DRIVEN GEAR | 1 | |
| 12 | 21411-09G00 | HUB, CLUTCH SLEEVE | 1 | |
| 13 | 21441-23F00 | PLATE, CLUTCH DRIVE | 4 | |
| 14 | 21451-21D40 | PLATE, CLUTCH DRIVEN | 3 | |
| 15 | 21461-09G00 | DISK, CLUTCH PRESSURE | 1 | |
| 16 | 21465-09G00 | PLATE, RELEASE | 1 | |
| 17 | 09440-18035 | SPRING, CLUTCH | 4 | |
| 18 | 21482-09G00 | BOLT, CLUTCH SPRING | 4 | |
| 19 | 09140-14022 | NUT, CLUTCH SLEEVE HUB | 1 | |
| 20 | 09160-14005 | WASHER, CLUTCH SLEEVE HUB | 1 | 14X29X1.5 |
| 21 | 09164-14011 | WASHER, CLUTCH SLEEVE WAVE | 1 | |
| 22 | 09181-17018 | WASHER, PRI DRIVEN GEAR | 1 | |
| 23 | 21501-23F00 | CLUTCH ASSY, SHOE | 1 | |
| 24 | 09140-14022 | NUT, SHOE CLUTCH | 1 | |
| 25 | 09160-14005 | WASHER | 1 | |
| 26 | 09164-14011 | WASHER | 1 | |
| 27 | 23121-09G00 | PIECE, CLUTCH PUSH | 1 | |
| 28 | 23220-23F10 | ARM, CLUTCH RELEASE | 1 | |
| 29 | 09200-07005 | .PIN | 1 | |
| 30 | 04111-16158 | .PIN | 1 | |

Auto Paralelones - Ca
Carretera 16 No. 12-07
Cra. 1042716-8016010

FD110CK4P9

FIG.1



FD110CK4 P09_001
CYLINDER HEAD

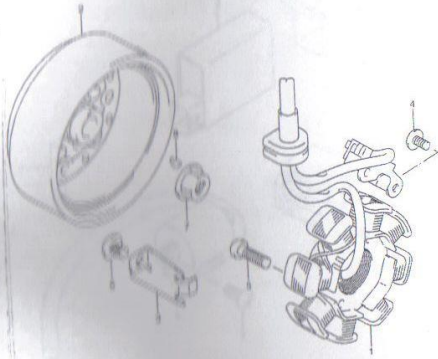
FIG.1 CYLINDER HEAD FD110CK4P9

| REF.N° | PART NO | DESCRIPCION | QTY | REMARKS |
|--------|-------------|---------------------------|-----|---------|
| 1 | 11110-09G00 | HEAD, CYLINDER | 1 | |
| 2 | 09381-10004 | .RING | 2 | |
| 3 | 11115-30D70 | GUIDE, VALVE (OS:0:3) | 2 | OPT |
| 4 | 11141-20G00 | GASKET, CYLINDER HEAD | 1 | |
| 5 | 04211-11129 | PIN | 2 | |
| 6 | 09159-08049 | NUT | 4 | |
| 7 | 09168-08021 | GASKET | 2 | |
| 8 | 09160-08121 | WASHER | 2 | |
| 9 | 01547-06253 | BOLT, CYLINDER HEAD | 2 | |
| 10-1 | 09482-00568 | SPARK PLUG (NGK,C6HSA) | 1 | |
| 10-2 | 09482-00569 | SPARK PLUG (ND.U20FS-U) | 1 | |
| 11 | 11175-09400 | CAP, INSPECTION | 2 | |
| 12 | 09280-50007 | O RING, INSPECTION CAP | 2 | |
| 13 | 01547-06203 | BOLT | 4 | |
| 14 | 11134-09G00 | COVER, CYLINDER HEAD RH | 1 | |
| 15 | 11144-09G00 | O RING, HEAD COVER | 1 | |
| 16 | 11121-09G00 | COVER, CYLINDER HEAD LH | 1 | |
| 17 | 09280-80004 | O RING | 1 | |
| 18 | 01547-06203 | BOLT | 2 | |
| 19 | 01547-06253 | BOLT, CYLINDER HEAD COVER | 3 | |
| 20 | 13110-30D10 | PIPE, INTAKE | 1 | |
| 21 | 13129-30A00 | INSULATOR, CARBURETOR | 1 | |
| 22 | 09280-24010 | O RING, INSULATOR | 2 | |
| 23 | 01547-06253 | BOLT, INTAKE CARBURETOR | 4 | |
| 24 | 09140-06023 | NUT | 2 | |

Auto Paralelones - Ca
Carretera 16 No. 12-07
Cra. 1042716-8016010
Mecánica 2 y 4 Tiempos
Móvil: 316 4025473

FD110CK4P9

FIG.16



FD110CK4 P00_016
MAGNETO

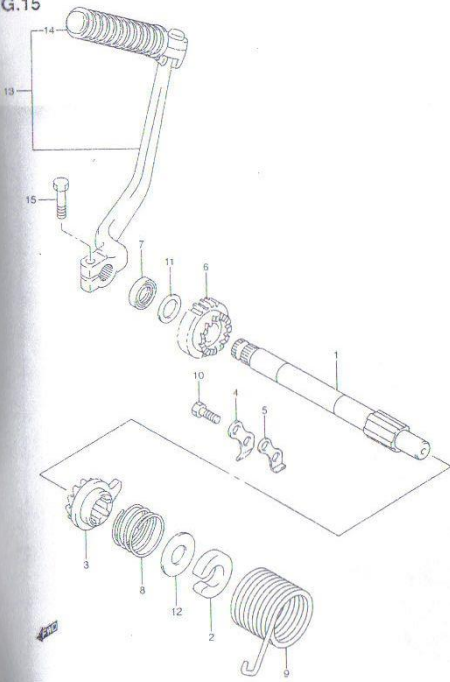
FIG.16 MAGNETO FD110CK4P9

| REF.№ | PART NO | DESCRIPCION | QTY | REMARKS |
|-------|-------------|---------------------------|-----|---------|
| 1 | 32101-09G20 | STATOR ASSY | 1 | |
| 2 | 32102-09G20 | ROTOR | 1 | |
| 3 | 32371-30D00 | CLAMP, MAGNETO LEAD | 1 | |
| 4 | 02112-05103 | SCREW, SENSOR | 2 | |
| 5 | 02112-06203 | SCREW, MAGNETO STATOR | 2 | |
| 6 | 02142-06103 | SCREW, MAGNETO LEAD CLAMP | 1 | |
| 7 | 08316-10123 | NUT, MAGNETO ROTOR | 1 | |
| 8 | 08341-31039 | KEY, MAGNETO ROTOR | 1 | |

MOTO MONSTER
 Jehn Jairo Molina
 Car. Mexico, 12-07
 Mecánica 2 y 4 Tiempos
 MOVIL: 316 4025473

FD110CK4P9

FIG.15



FD110CK4 P09_015
KICK STARTER

FIG.15

KICK STARTER

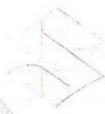
FD110CK4P9

FIG

| REF.N° | PART NO | DESCRIPTION | QTY | REMARKS |
|--------|-------------|----------------------------|-----|-----------|
| 1 | 26211-23F00 | SHAFT, KICK STARTER | 1 | |
| 2 | 26221-30A00 | GUIDE, KICK STARTER SPR | 1 | |
| 3 | 26231-09410 | STARTER, KICK | 1 | |
| 4 | 26232-09401 | GUIDE, KICK STARTER | 1 | |
| 5 | 26233-09400 | STOPPER, KICK STARTER | 1 | |
| 6 | 26241-23F00 | GEAR, KICK STARTER DRIVE | 1 | |
| 7 | 09285-14001 | SEAL, KICK STARTER | 1 | 14X24X6.0 |
| 8 | 09440-30007 | SPRING, KICK STARTER | 1 | |
| 9 | 09448-38004 | SPRING, KICK SHAFT RETURN | 1 | |
| 10 | 01500-06163 | BOLT, KICK STARTER STOPPER | 2 | |
| 11 | 09181-14167 | WASHER, KICK DRIVE GEAR | 1 | 14X22X1.0 |
| 12 | 08211-14321 | PLATE, KICK STARTER SPRING | 1 | |
| 13 | 26300-09G01 | LEVER ASSY, KICK STARTER | 1 | |
| 14 | 26352-09D10 | .RUBBER, KICK PEDAL | 1 | |
| 15 | 09100-08297 | BOLT, KICK PEDAL (8X25) | 1 | |

FD110CK4P9

FE
M/



SUZUKI

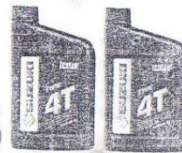
PARTS CATALOGUE



FD110CK4

MOTO MONSTER
John Jairo Molina
Técnico
Mecánica 2 y 4 Tiempos
MOVIL: 316 4025473

2004-05



SUZUKI GENUINE PARTS

FIG.14

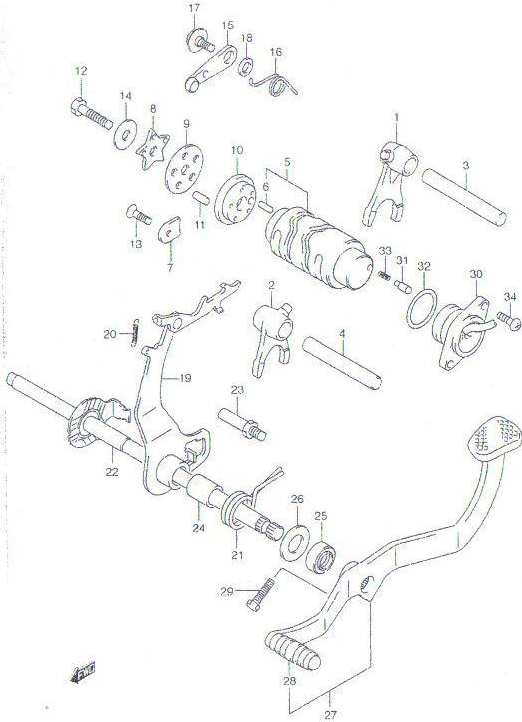


FIG.14

GEAR SHIFTING

FD110CK4P9

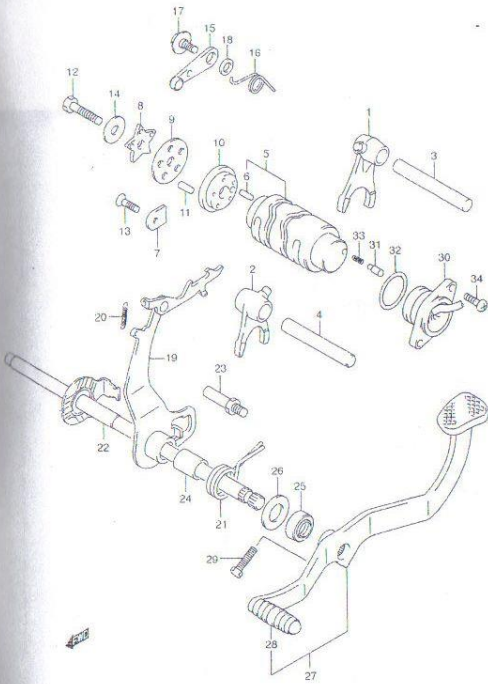
| REF.º | PART NO | DESCRIPCION | QTY | REMARKS |
|-------|-------------|--|-----|---------|
| 30 | 37720-30D00 | BASE ASSY, GEAR SHIFT | 1 | |
| 31 | 09209-05011 | CONTACT, GEAR POSITION | 1 | |
| 32 | 09280-21008 | O RING, GEAR SHIFT (D:2.5, ID:21.0) | 1 | |
| 33 | 09440-04010 | SPRING, GEAR SHIFT | 1 | |
| 34 | 02112-05163 | SCREW, GEAR SHIFT | 2 | |

D110CK4 P09_014
GEAR SHIFTING

MOTO MONSTER
John Jairo Molina
Moto, Paralelamente
Mecánica 2 y 4 Tiempos
MOVIL 316 4025473

FD110CK4P9

FIG.14



FD110CK4 P09_014
GEAR SHIFTING

FIG.14

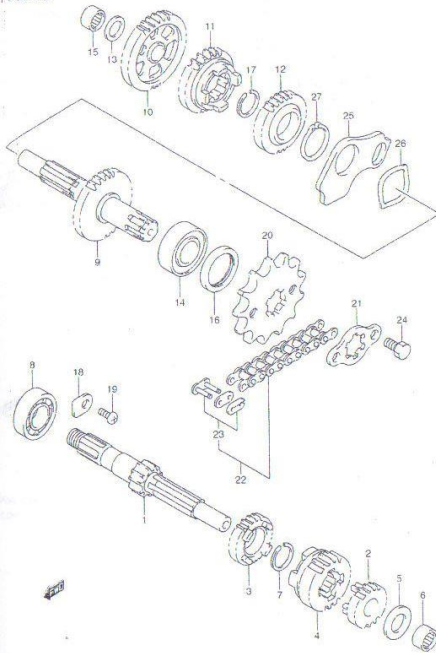
GEAR SHIFTING

FD110CK4P9

| REF.N° | PART NO | DESCRIPCION | QTY | REMARKS |
|--------|-----------------|------------------------------|-----|---------|
| 1 | 25211-23F10 | FORK, GEAR SHIFT NO.1 | 1 | |
| 2 | 25221-23F10 | FORK, GEAR SHIFT NO.2 | 1 | |
| 3 | 25411-13A10 | SHAFT, SHIFT FORK NO.1 | 1 | |
| 4 | 25421-35420 | SHAFT, SHIFT FORK NO.2 | 1 | |
| 5 | 25310-23F21 | CAM, GEAR SHIFT | 1 | |
| 6 | 04221-04089 | .PIN | 1 | |
| 7 | 25341-09G02 | RETAINER, SHIFT CAM | 1 | |
| 8 | 25381-30A50 | PLATE, SHIFT CAM STOPPER | 1 | |
| 9 | 25382-30A60 | PLATE, SHIFT CAM STOPPER | 1 | |
| 10 | 25382-35411 | GUIDE, GR SHF CAM | 1 | |
| 11 | 09261-04002 | PIN, SHIFT CAM (4X13.8) | 5 | |
| 12 | 01500-06253 | BOLT, SHIFT CAM PIN | 1 | |
| 13 | 02122-06163 | SCREW, SHIFT CAM RETAINER | 1 | |
| 14 | 08211-06221 | STOPPER, SHIFT CAM PIN | 1 | |
| 15 | 25350-23F00 | STOPPER, SHIFT CAM | 1 | |
| 16 | 25355-09400 | SPRING, SHIFT CAM | 1 | |
| 17 | 09111-06041 | BOLT, SHIFT CAM (6X14.3) | 1 | |
| 18 | 08211-06121 | WASHER, SHIFT CAM | 1 | |
| 19 | 25520-23F00 | ARM, GEAR SHIFT | 1 | |
| 20 | 09443-05019 | SPRING, SHIFT PAWL | 1 | |
| 21 | 09444-26027 | SPRING, SHIFT ARM RETURN | 1 | |
| 22 | 25510-20G00 | SHAFT, GEAR SHIFT | 1 | |
| 23 | 25671-20G00 | STOPPER, SHIFT ARM | 1 | |
| 24 | 09180-12036 | SPACER, SHIFT ARM (12X16X20) | 1 | |
| 25 | 09285-12002 | SEAL, SHIFT SHAFT OIL | 1 | 12X22X9 |
| 26 | 08211-12261 | WASHER, SHIFT SHAFT | 1 | |
| 27 | 25600-30D00 | LEVER ASSY, GEAR SHIFT | 1 | |
| 28 | 25652-16500-X01 | .RUBBER | 1 | |
| 29 | 01500-06203 | BOLT, SHIFT LEVER | 1 | |

FD110CK4P9

FIG.13



FD110CK4 P09_013
TRANSMISSION

FIG.13

TRANSMISSION

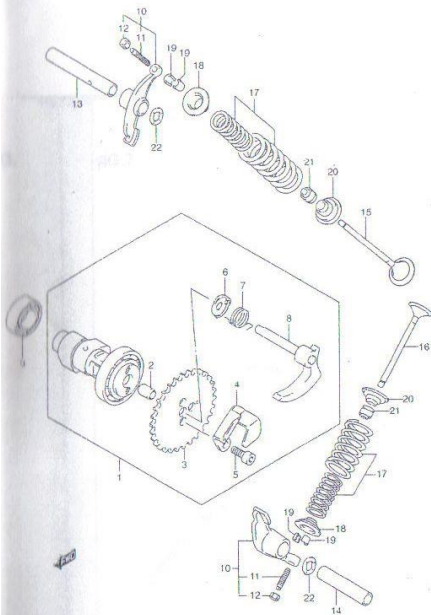
FD110CK4P9

| REF.N° | PART NO | DESCRIPCION | QTY | REMARKS |
|--------|-----------------|-------------------------------|-----|----------|
| 1 | 24120-23F10 | SHAFT, COUNTER (NT:11) | 1 | |
| 2 | 24221-35440 | GEAR, 2ND DRIVE (NT:16) | 1 | |
| 3 | 24231-30A30 | GEAR, 3RD DRIVE (NT:19) | 1 | |
| 4 | 24241-23F20 | GEAR, 4TH DRIVE (NT:19) | 1 | |
| 5 | 09160-13006 | WASHER, 2ND DRIVE | 1 | 13X24X1 |
| 6 | 09263-13003 | BEARING, COUNTER LH | 1 | 13X19X14 |
| 7 | 09380-17007 | CIRCLIP, 3RD DRIVE | 1 | |
| 8 | 08110-62030 | BEARING, COUNTER RH | 1 | |
| 9 | 24130-09G00 | SHAFT, DRIVEN (NT:30) | 1 | |
| 10 | 24311-23F01 | GEAR, 1ST DRIVEN (NT:33) | 1 | |
| 11 | 24331-30A30 | GEAR, 3RD DRIVEN (NT:26) | 1 | |
| 12 | 24341-23F20 | GEAR, 4TH DRIVEN (NT:20) | 1 | |
| 13 | 09160-13006 | WASHER, 1ST DRIVEN | 1 | 13X24X1 |
| 14 | 08110-62030 | BEARING, DRIVE SHAFT LH | 1 | |
| 15 | 09263-13003 | BEARING, DRIVE SHAFT RH | 1 | 13X19X14 |
| 16 | 09283-17025 | SEAL, DRIVE SHAFT | 1 | 17X30X7 |
| 17 | 09380-17007 | CIRCLIP, 4TH DRIVEN | 1 | |
| 18 | 24741-20A10 | RETAINER, COUNTERSHAFT BRG | 1 | |
| 19 | 02112-06123 | SCREW, COUNTER SHAFT | 1 | |
| 20 | 27511-09G00 | SPROCKET, ENGINE (NT:14) | 1 | |
| 21 | 27512-09G00 | PLATE, ENGINE SPROCKET | 1 | |
| 22 | 27600-20910-098 | CHAIN ASSY, DRIVE (D.I.D 428) | 1 | |
| 23 | 27620-20910 | JOINT, DRIVE | 1 | |
| 24 | 01500-06103 | BOLT, ENGINE SPROCKET | 2 | |
| 25 | 25361-23F00 | PLATE, ROTARY STOP | 1 | |
| 26 | 09184-25002 | WASHER, ROTARY WAVE | 1 | |
| 27 | 08331-31259 | CIRCLIP | 1 | |

Motor Fabricaciones - Cal
Carretera 16 No. 12-07
P.O. Box 3342718 Santiago

FD110CK4P9

FIG.5



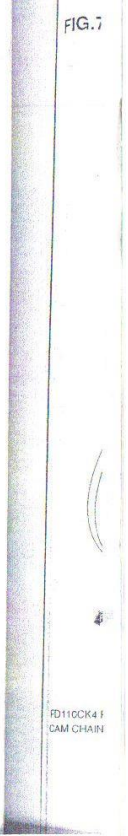
FD110CK4 P09_006
CAM SHAFT/VALVE

FIG.6 CAM SHAFT/VALVE FD110CK4P9

| REF.Nº | PART NO | DESCRIPCION | QTY | REMARKS |
|--------|-------------|---------------------------|-----|---------|
| 1 | 12710-09G40 | CAM SHAFT COMP | 1 | |
| 2 | 09206-08008 | .PIN | 1 | |
| 3 | 12741-09G10 | .SPROCKET, CAM SHAFT | 1 | |
| 4 | 12954-09G10 | .WASHER, SPROCKET | 1 | |
| 5 | 09106-05028 | .BOLT | 2 | |
| 6 | 12955-20G00 | .WASHER | 1 | |
| 7 | 12725-20G00 | .SPRING | 1 | |
| 8 | 12951-20G00 | .CAM, DECOMPRESSION | 1 | |
| 9 | 09262-15026 | BEARING | 1 | |
| 10 | 12840-09G20 | ARM, VALVE ROCKER | 2 | |
| 11 | 12842-09G00 | .SCREW, ADJUSTING | 2 | |
| 12 | 12843-09G00 | .NUT, ADJUSTING | 2 | |
| 13 | 12861-09D00 | SHAFT, ROCKER ARM INTAKE | 1 | |
| 14 | 12871-30A00 | SHAFT, ROCKER ARM EXHAUST | 1 | |
| 15 | 12911-09G00 | VALVE, INTAKE | 1 | |
| 16 | 12912-20G00 | VALVE, EXHAUST | 1 | |
| 17 | 12921-09G00 | SPRING SET, VALVE | 2 | |
| 18 | 12931-09G00 | RETAINER, VALVE SPRING | 2 | |
| 19 | 12932-09G00 | COTTER, VALVE | 4 | |
| 20 | 12933-09G00 | SEAT, SPRING | 2 | |
| 21 | 09289-05008 | OIL SEAL | 2 | |
| 22 | 09164-10012 | WASHER | 2 | |

FD110CK4P9

FIG.7



311
M

FD110CK4P
CAM CHAIN