



WWW.CMSNL.COM
consolidated motor spares



JKI
PARTS CATALOGUE

AX100

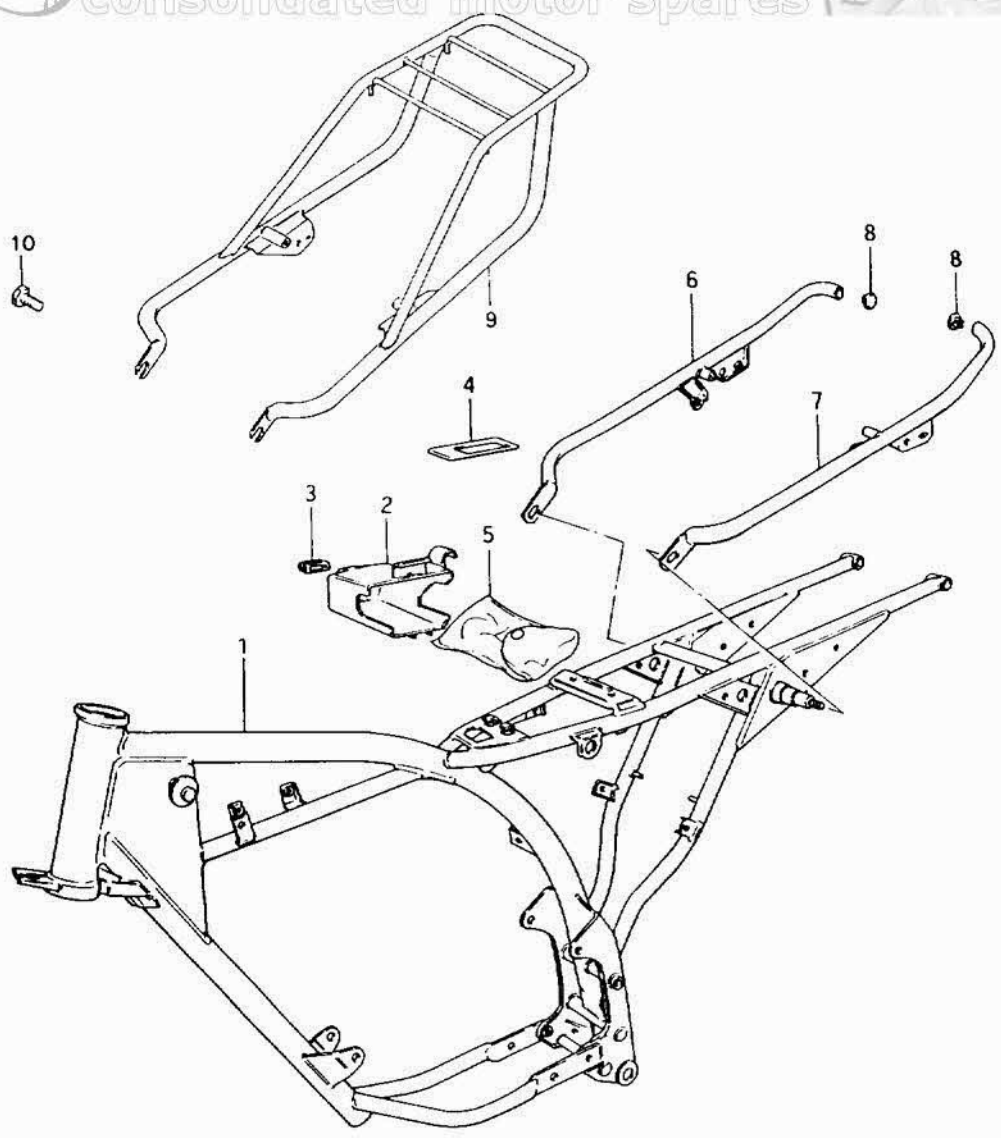
(BE11A)

AX100R

AX100T

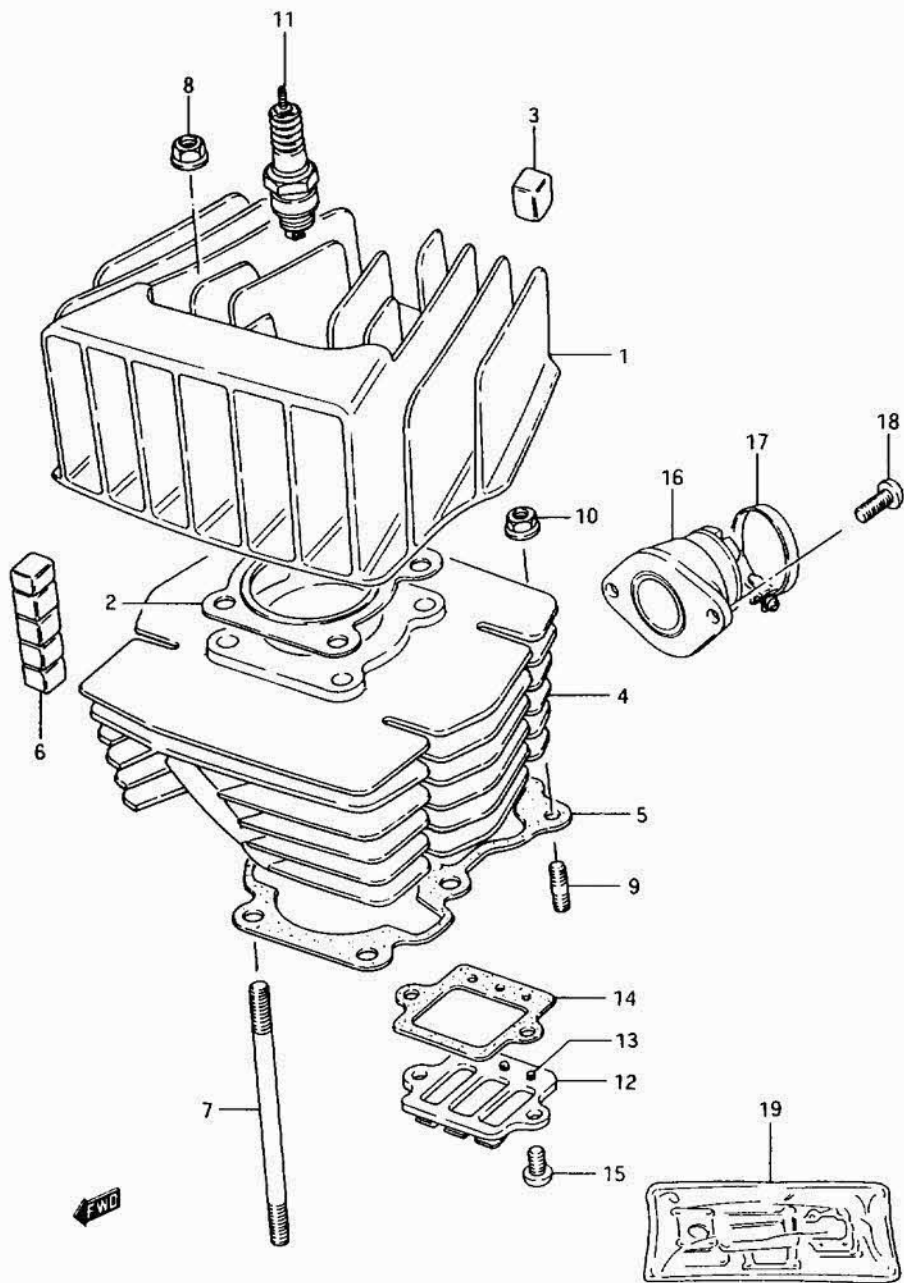
AX100V

FIG. 23



FWD

FIG.1



FWG

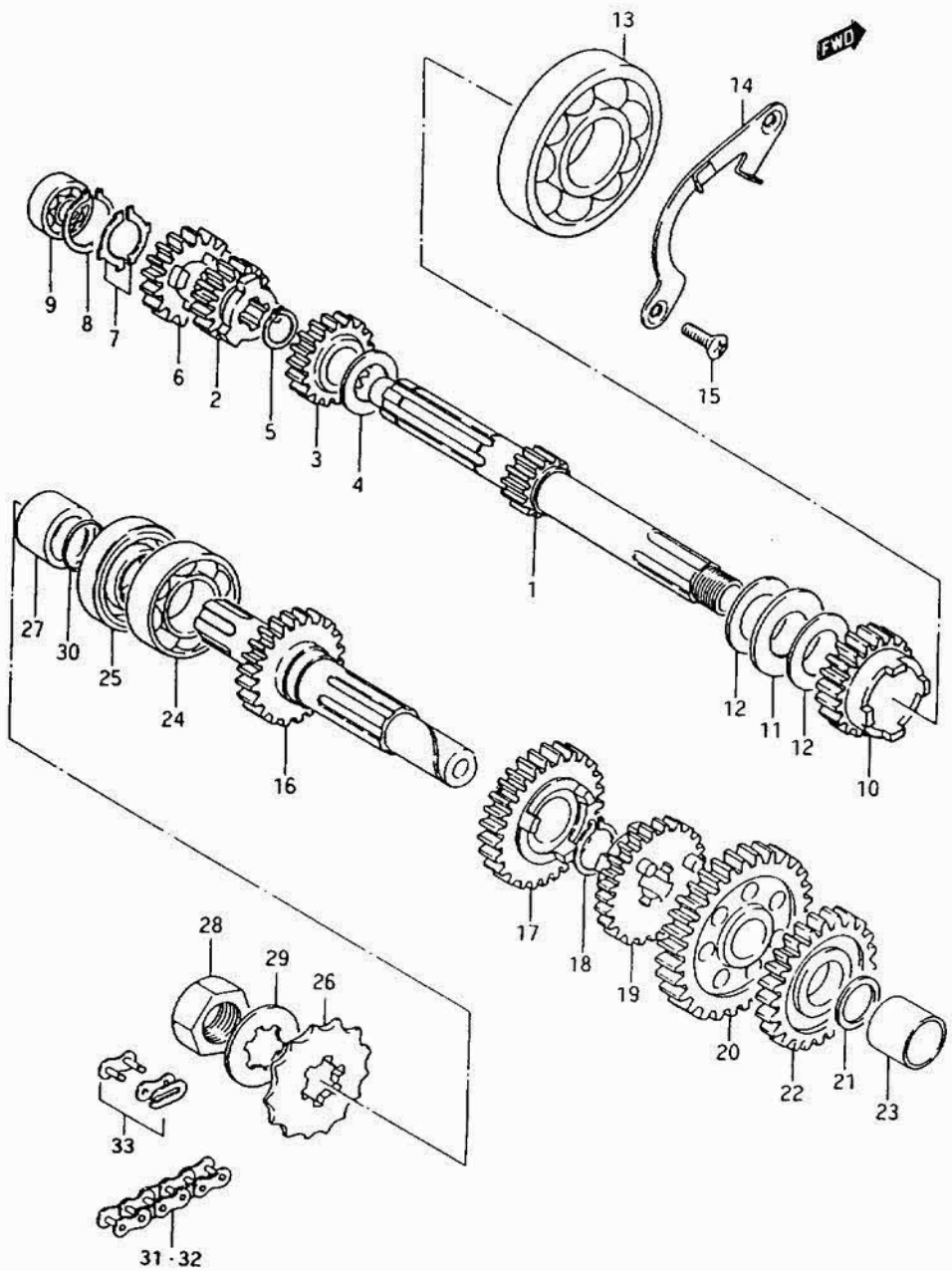


FIG. 4

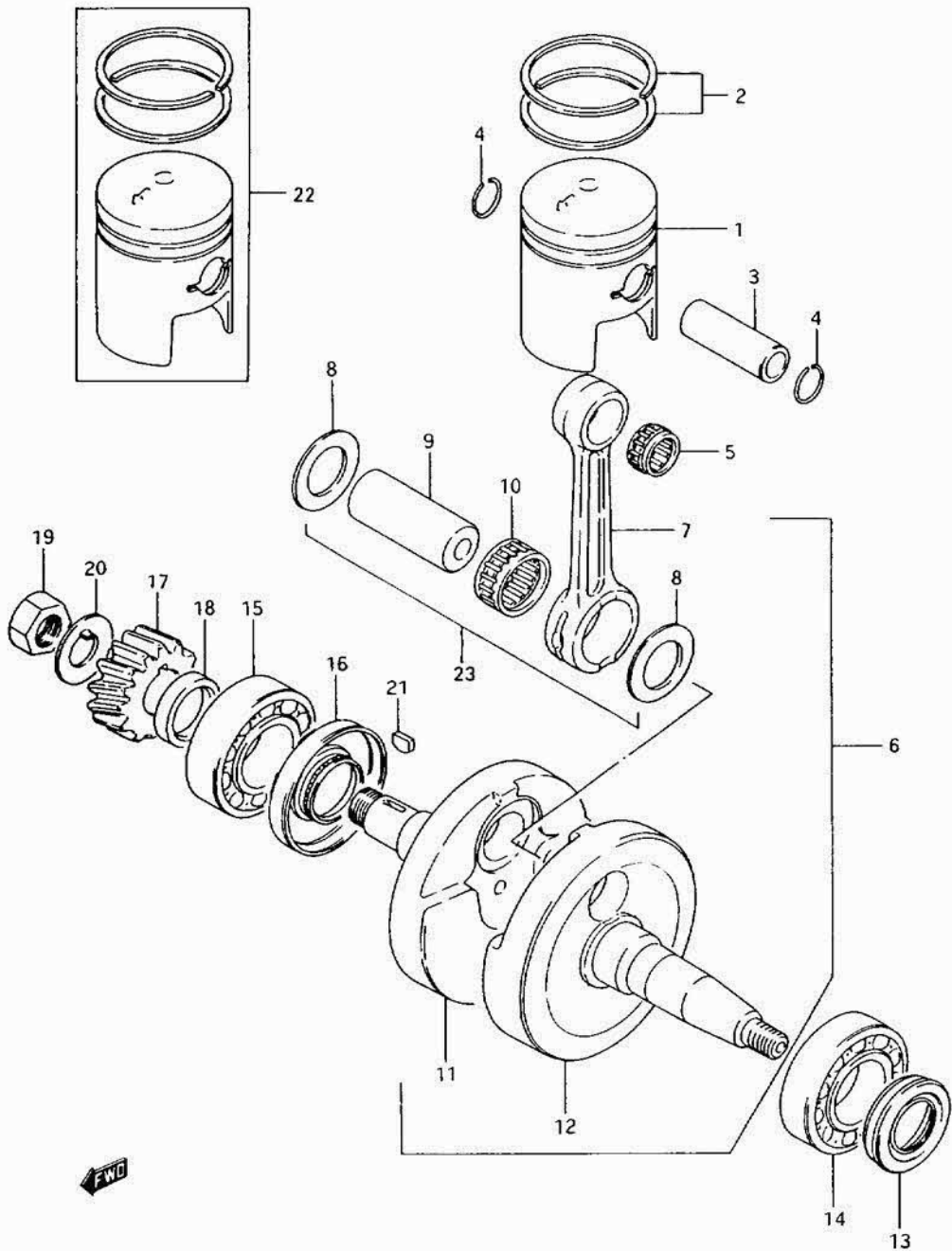


FIG. 14

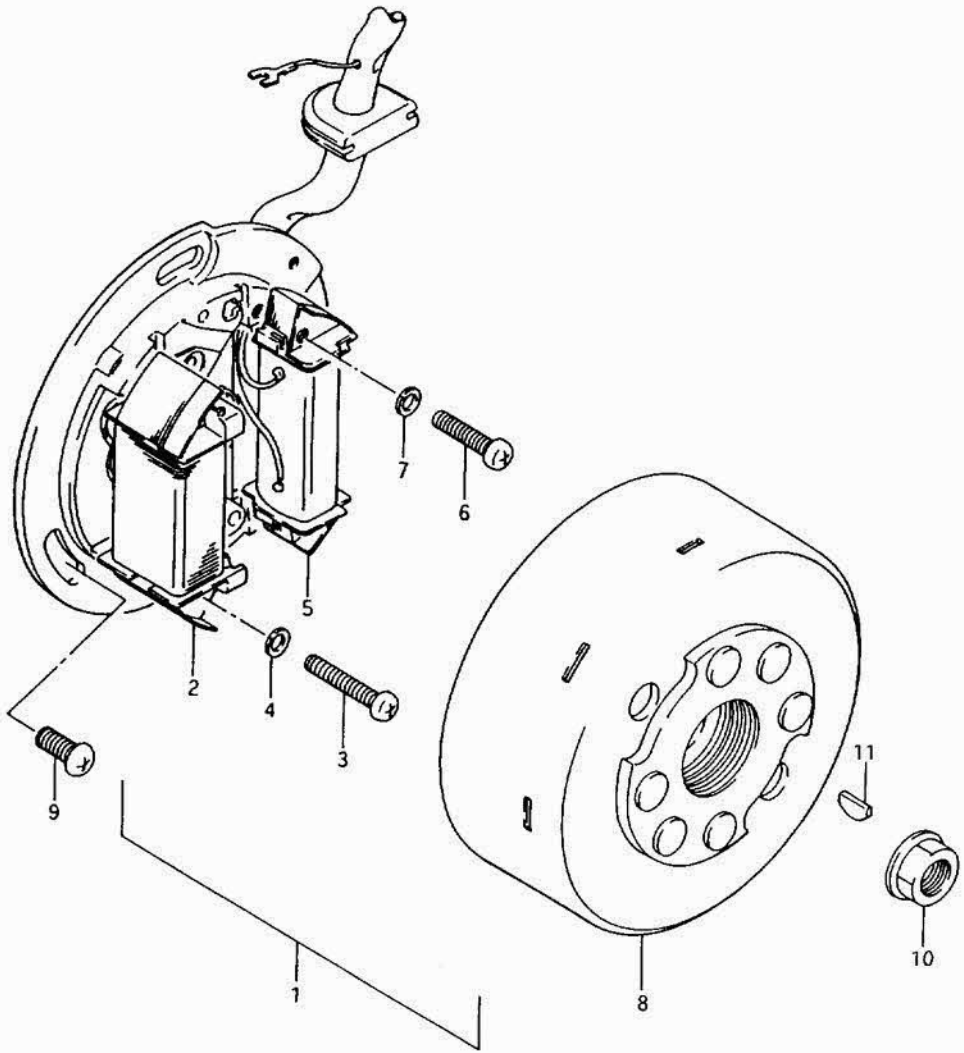
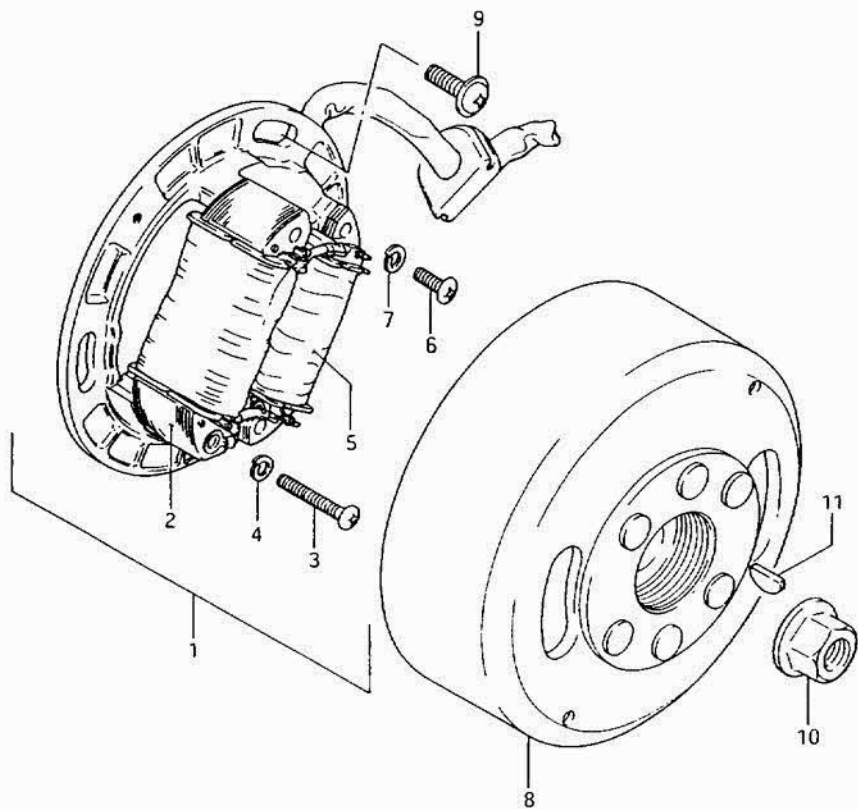
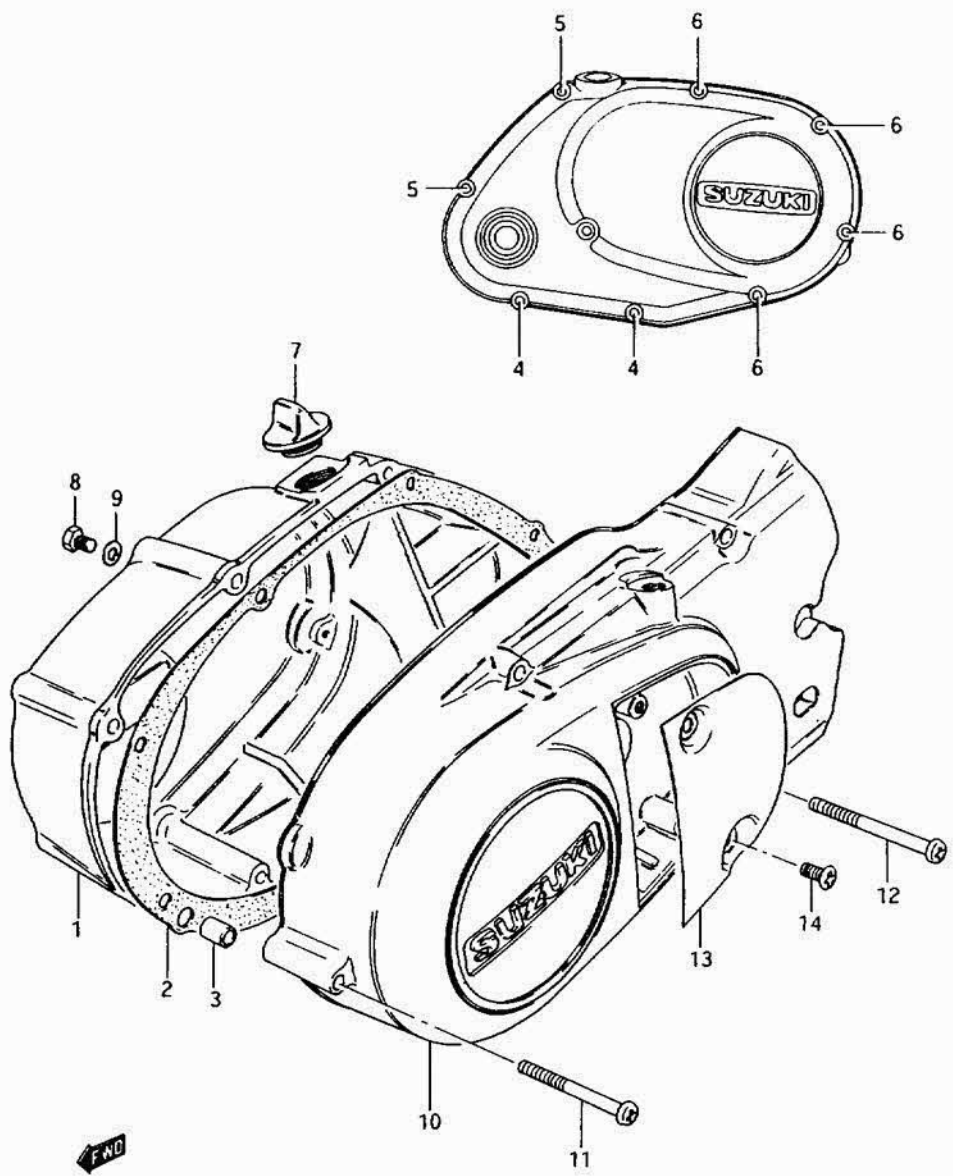


FIG. 13





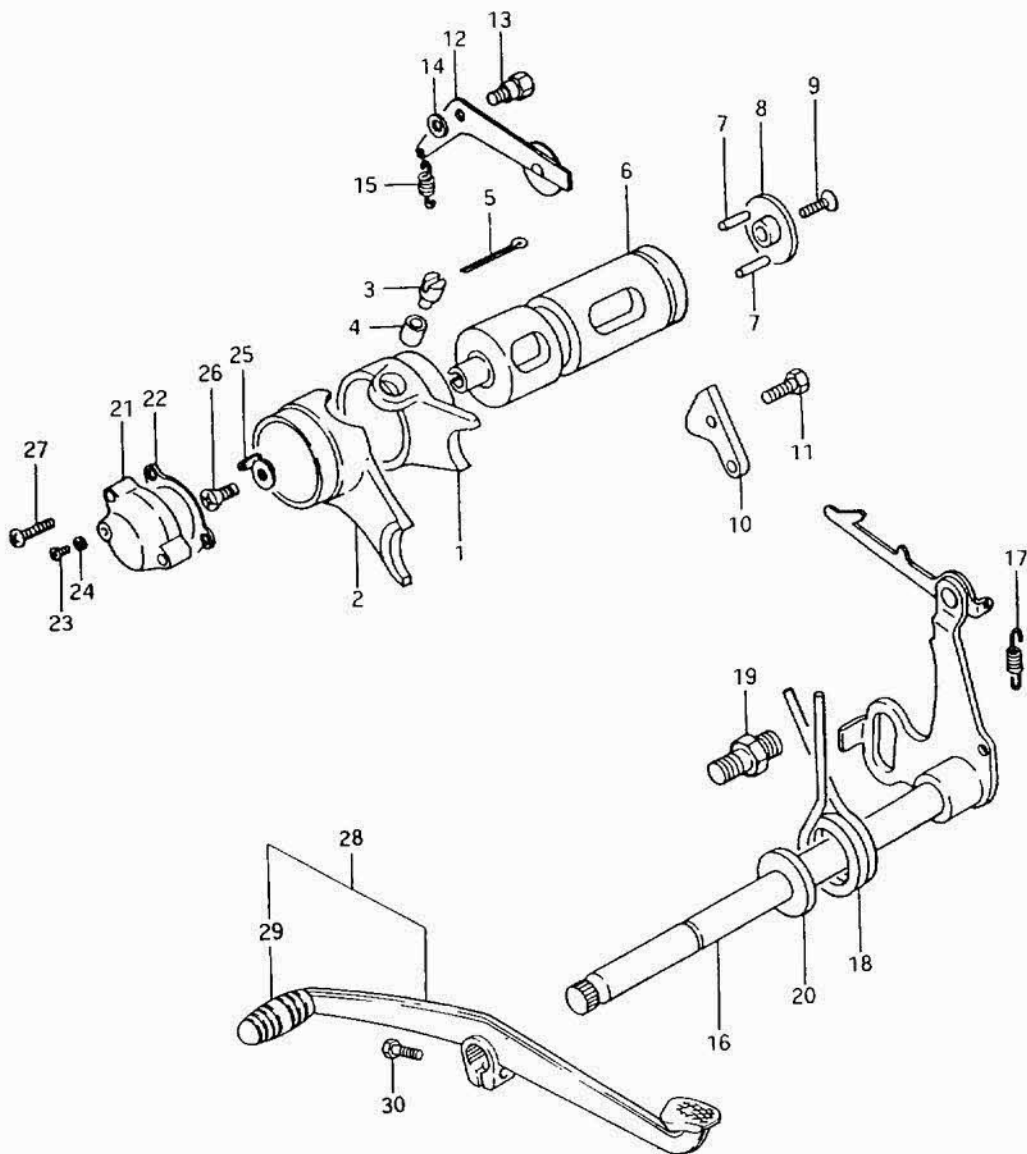


FIG.2

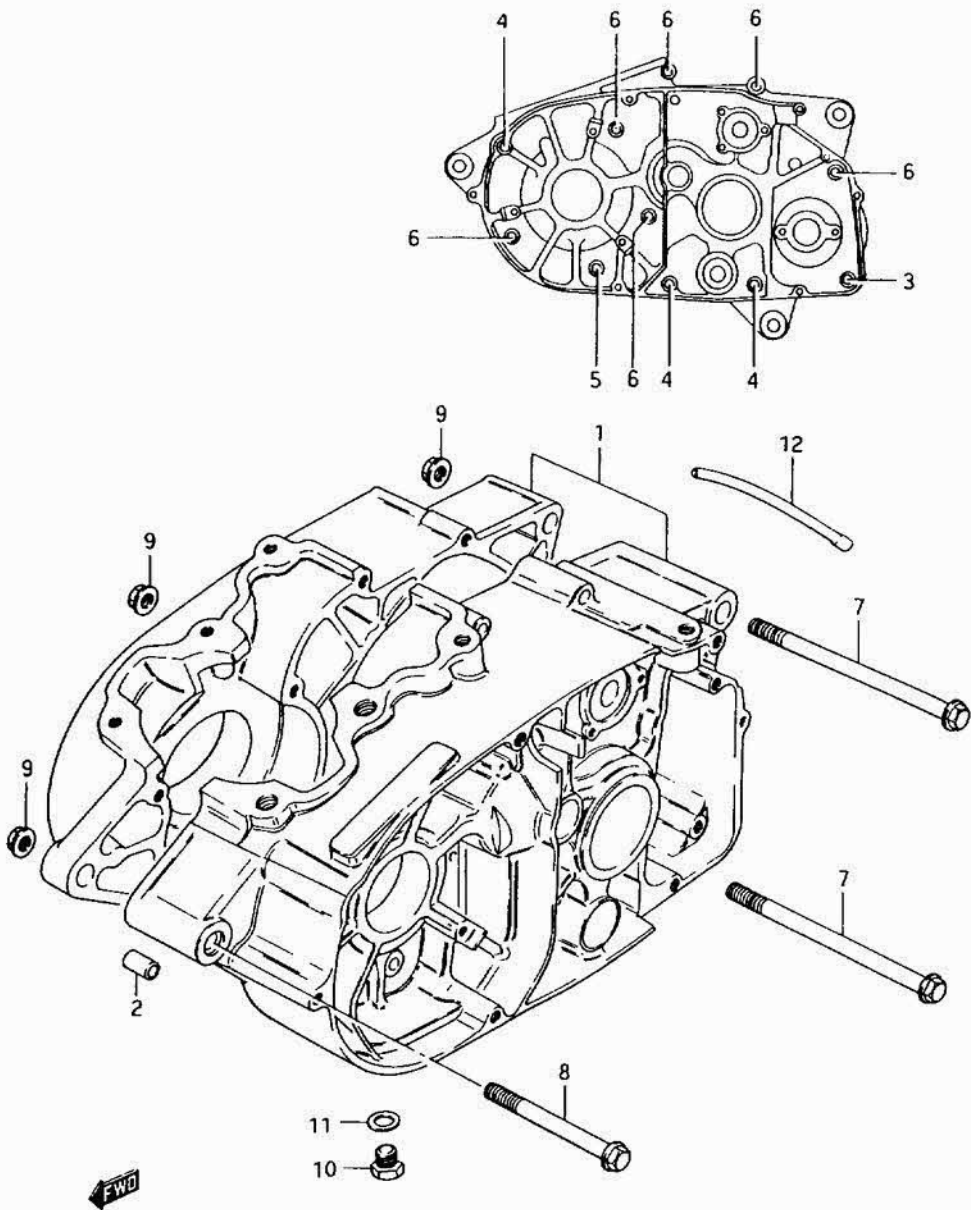


FIG. 9

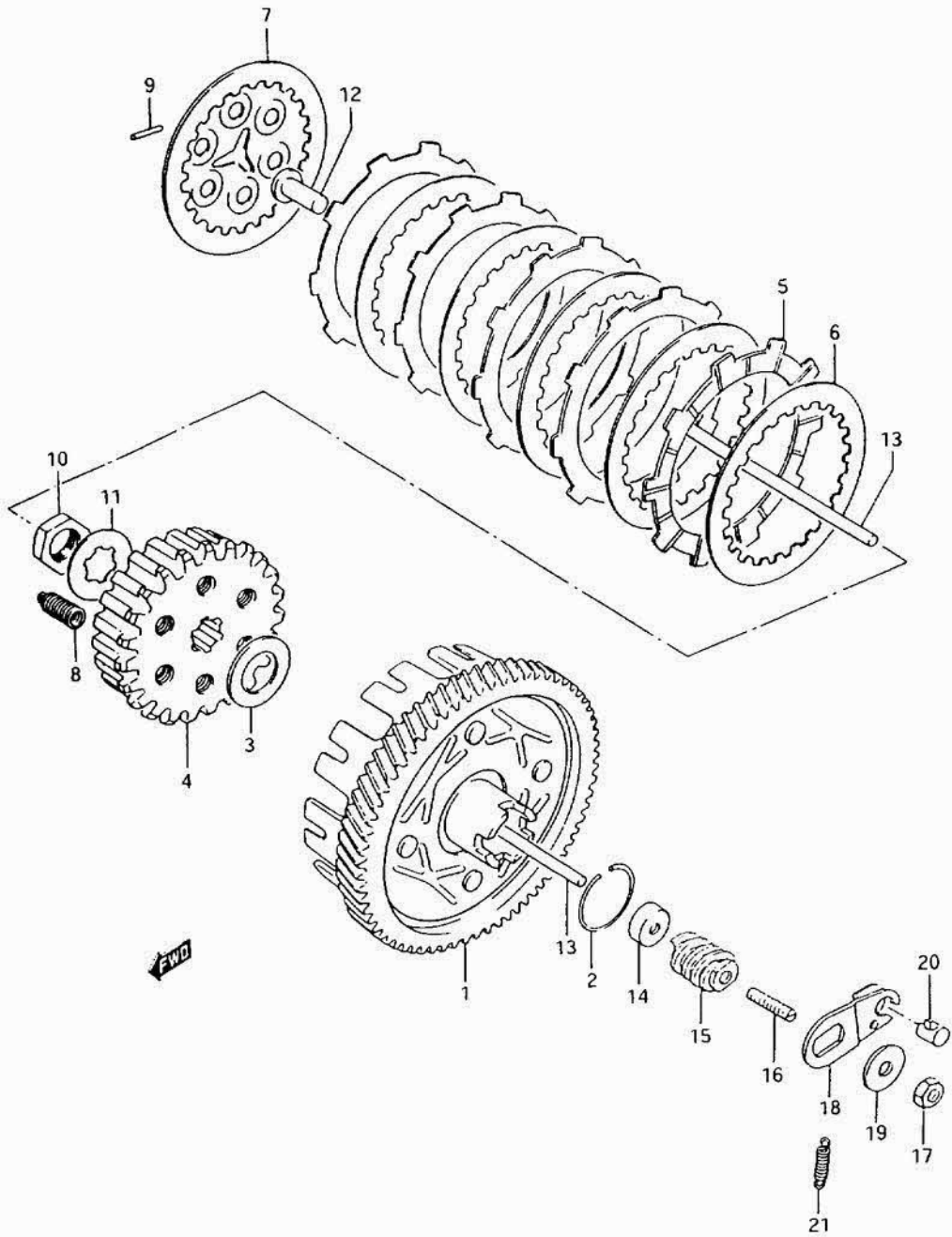


FIG.5

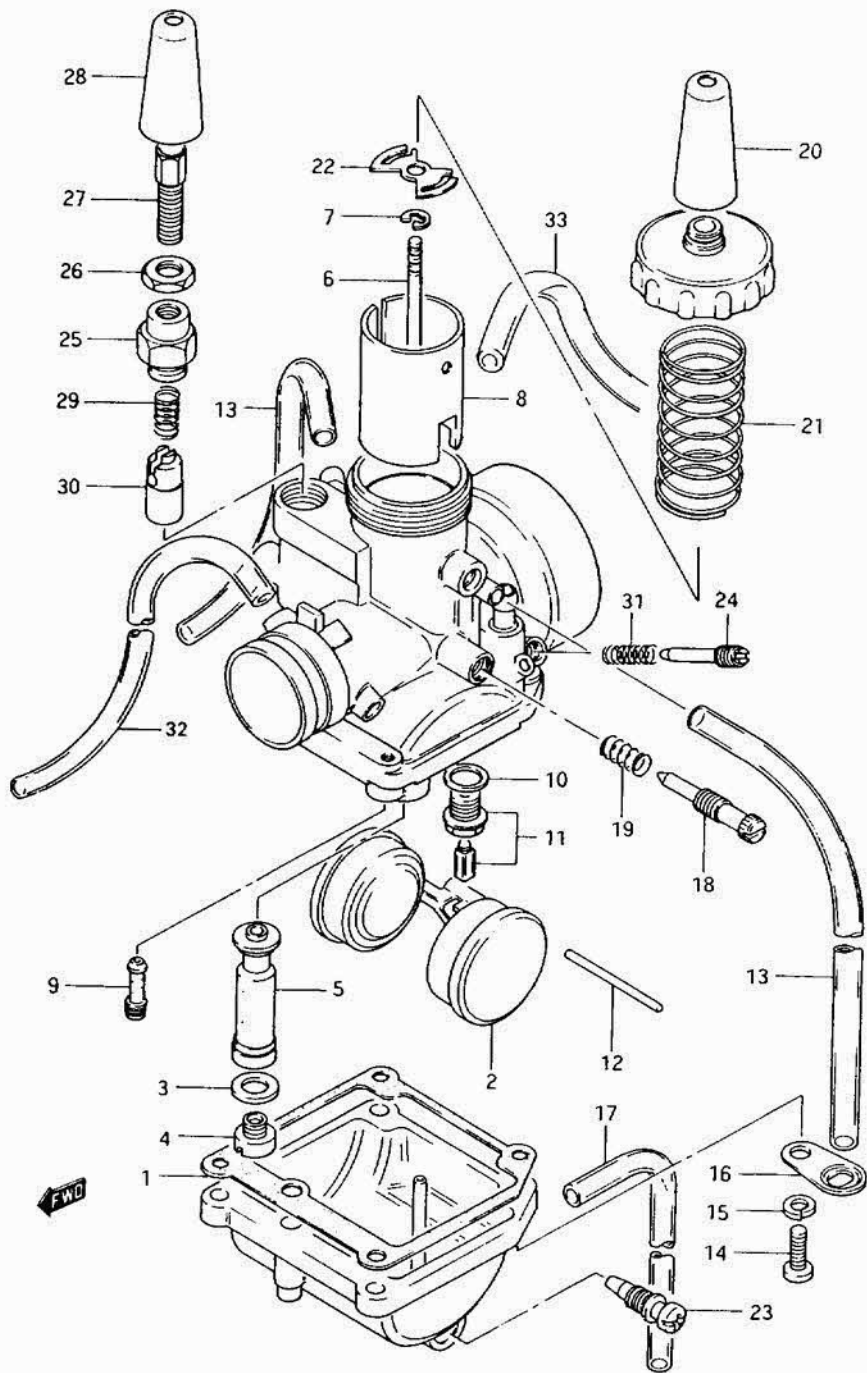
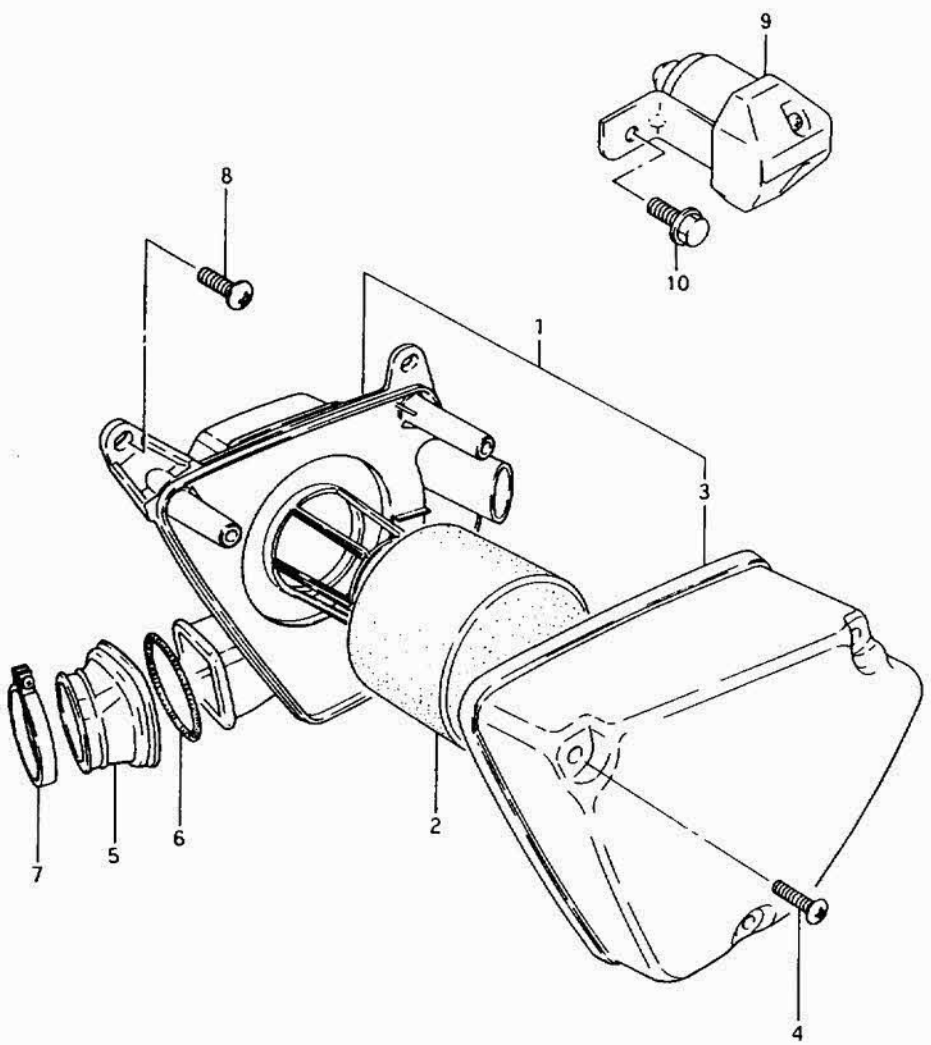


FIG.6





3. **Y**
 All items with a dot (.) in front as shown in the description column indicates the component of the assembly also available individually.

When it becomes necessary to replace parts on SUZUKI MOTORCYCLES, always use SUZUKI GENUINE PARTS which have passed a strict inspection which guarantees quality and performance.

This parts catalogue covers the list of all service parts for SUZUKI AX100R, AX100T, AX100V.

INSTRUCTIONS FOR QUOTING THE CATALOGUE

1. DIMENSIONS

Dimensions of the parts in this catalogue are indicated in unit millimeters.

2. ABBREVIATIONS

Abbreviations used in this catalogue are as follows:

| | | | |
|---------|---------------------------|-----|-------------------|
| AR | : As required | NT | : Number of teeth |
| ASSY | : Assembly | OPT | : Optional |
| E.No. | : Engine number | OS | : Over size |
| F.No. | : Frame number | STD | : Standard |
| d | : Diameter of material | T | : Thickness |
| ID | : Inside diameter | US | : Under size |
| OD | : Outside diameter | W | : Width |
| L | : Length | | |
| LH | : Left hand side | | |
| RH | : Right hand side | | |
| -100045 | : Up to F.No.BE11A-100045 | | |
| 100046- | : From F.No.BE11A-100046 | | |

12 x 24 x 5.6 Figures in the description column show the dimensions of parts.

| | | |
|----|----|-----------|
| ID | OD | T(or W,L) |
|----|----|-----------|

+12345-56781 (Parts No.) : indicates that the parts number was changed to 12345-56781 and the new parts are interchangeable with the former ones but the former ones are not interchangeable with new ones.

+12345-56781 (Parts No.) : indicates that the former and new parts are interchangeable with each other and both are usable.

4. MODIFICATION NOTICE

A parts bulletin will be sent to you on all occasions when changes in parts occur, including interchangeable modifications between new parts and old ones.

5. NOTE

- 5-1. There are some different parts from those of production models among spare parts for the administrative reasons and common use of them with other models.
- 5-2. In respect of rubber hoses and vinyl tubes, please be sure to use them by cutting off according to the length mentioned on parts catalogue or what is actually required on the vehicle.
- 5-3. Note that the drawings on the illustration page are for ready reference of spare parts number, not to be used as an assembly manual. When assembling, use "SUZUKI SERVICE MANUAL".

6. SPECIFICATION CODE

This catalogue contains the parts for the model designed for the following spec.;

spec. code : AX100R : E94,P36,P48.
 AX100T : P9
 AX100V : E94,P36,P48.

7. SERIAL FRAME NUMBER

AX100R : BE11A-182660-
 AX100T : BE11A-
 AX100V : BE11A-192651-



| | 0 | 1 | 2 | 3 | 4 | 5 | 6 | 7 | 8 | 9 |
|----|-------|-------|-------|-------|-------|-------|-------|-------|-------|-------|
| 00 | .000 | .039 | .079 | .118 | .157 | .197 | .236 | .276 | .315 | .354 |
| 10 | .394 | .433 | .472 | .512 | .551 | .591 | .630 | .669 | .709 | .748 |
| 20 | .787 | .827 | .866 | .906 | .945 | .984 | 1.024 | 1.063 | 1.102 | 1.142 |
| 30 | 1.181 | 1.220 | 1.260 | 1.299 | 1.339 | 1.378 | 1.417 | 1.457 | 1.496 | 1.535 |
| 40 | 1.575 | 1.614 | 1.654 | 1.693 | 1.732 | 1.772 | 1.811 | 1.850 | 1.890 | 1.929 |
| 50 | 1.969 | 2.008 | 2.047 | 2.087 | 2.126 | 2.165 | 2.205 | 2.214 | 2.283 | 2.323 |
| 60 | 2.362 | 2.402 | 2.441 | 2.480 | 2.520 | 2.559 | 2.598 | 2.638 | 2.677 | 2.717 |
| 70 | 2.756 | 2.795 | 2.835 | 2.874 | 2.913 | 2.953 | 2.992 | 3.031 | 3.071 | 3.110 |
| 80 | 3.150 | 3.189 | 3.228 | 3.268 | 3.307 | 3.346 | 3.386 | 3.425 | 3.465 | 3.504 |
| 90 | 3.543 | 3.583 | 3.622 | 3.661 | 3.701 | 3.740 | 3.780 | 3.819 | 3.858 | 3.898 |

| | | | | | |
|----|-----|-----|-----|-------|-----|
| | 0 | 1 | 2 | 3 | 4 |
| 00 | --- | --- | --- | --- | --- |
| 10 | --- | --- | --- | --- | --- |
| 20 | --- | --- | --- | 0.906 | --- |
| 30 | --- | --- | --- | --- | --- |

23 millimeters equal 0.906 inch.

FIG. 25

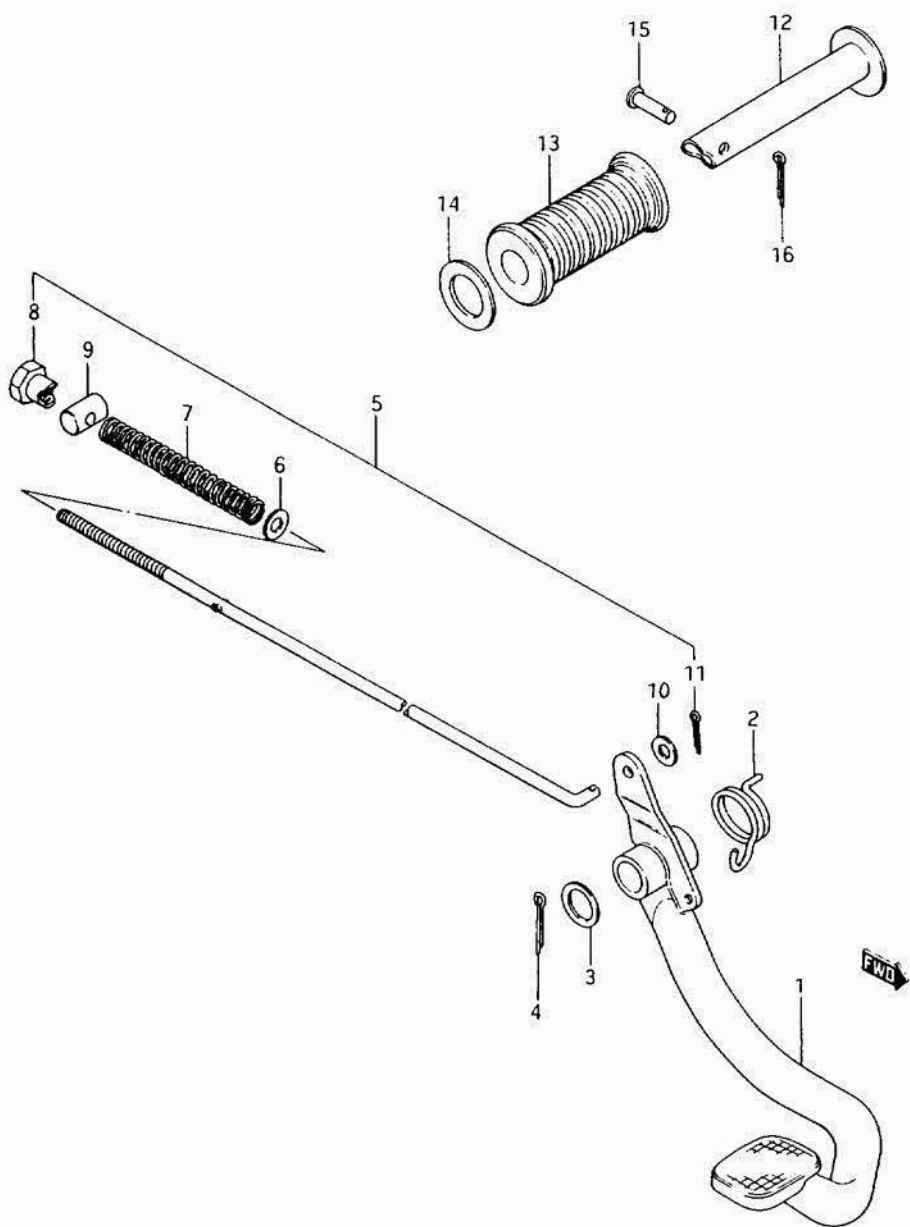
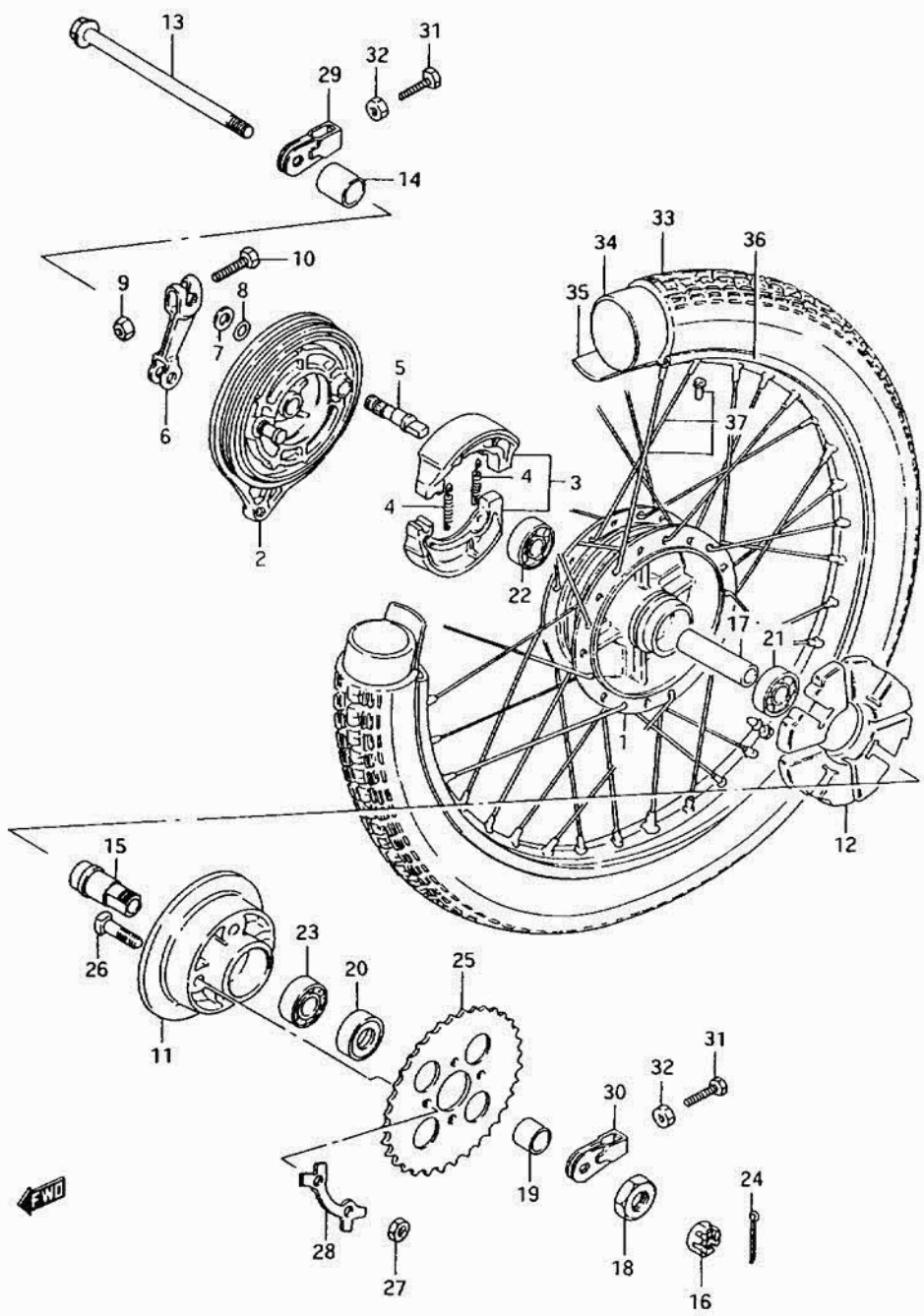


FIG. 44



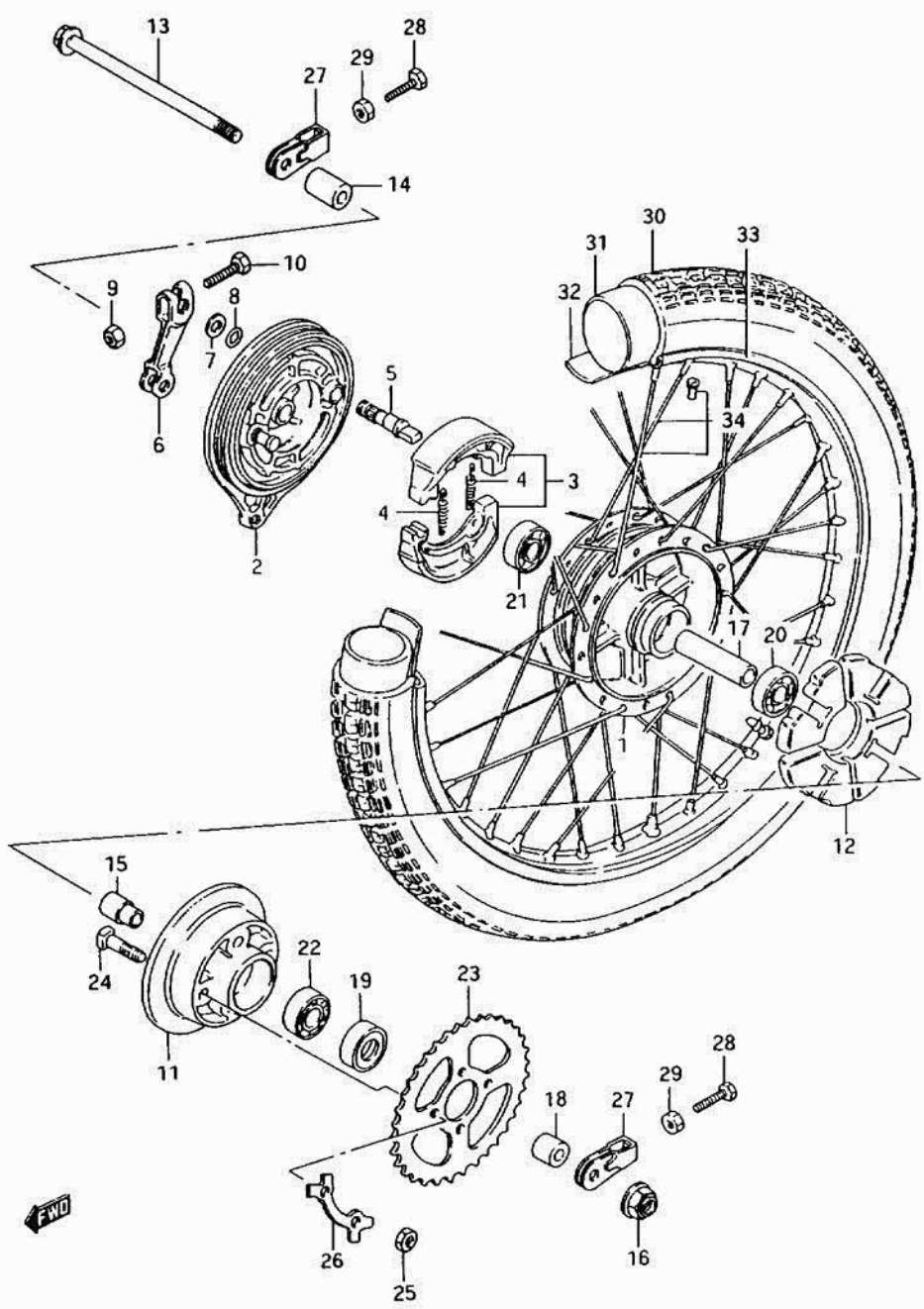


FIG. 38

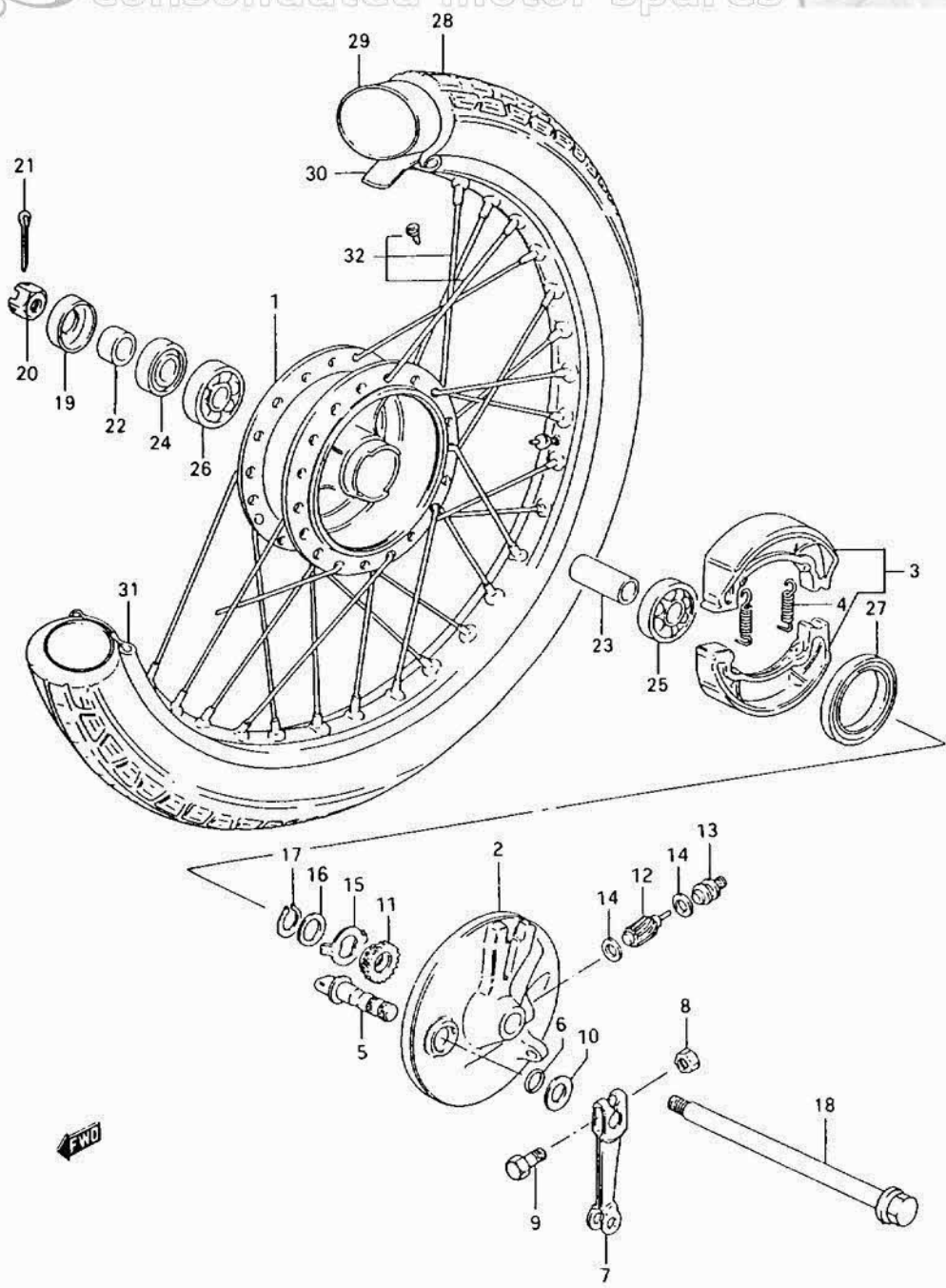


FIG. 8

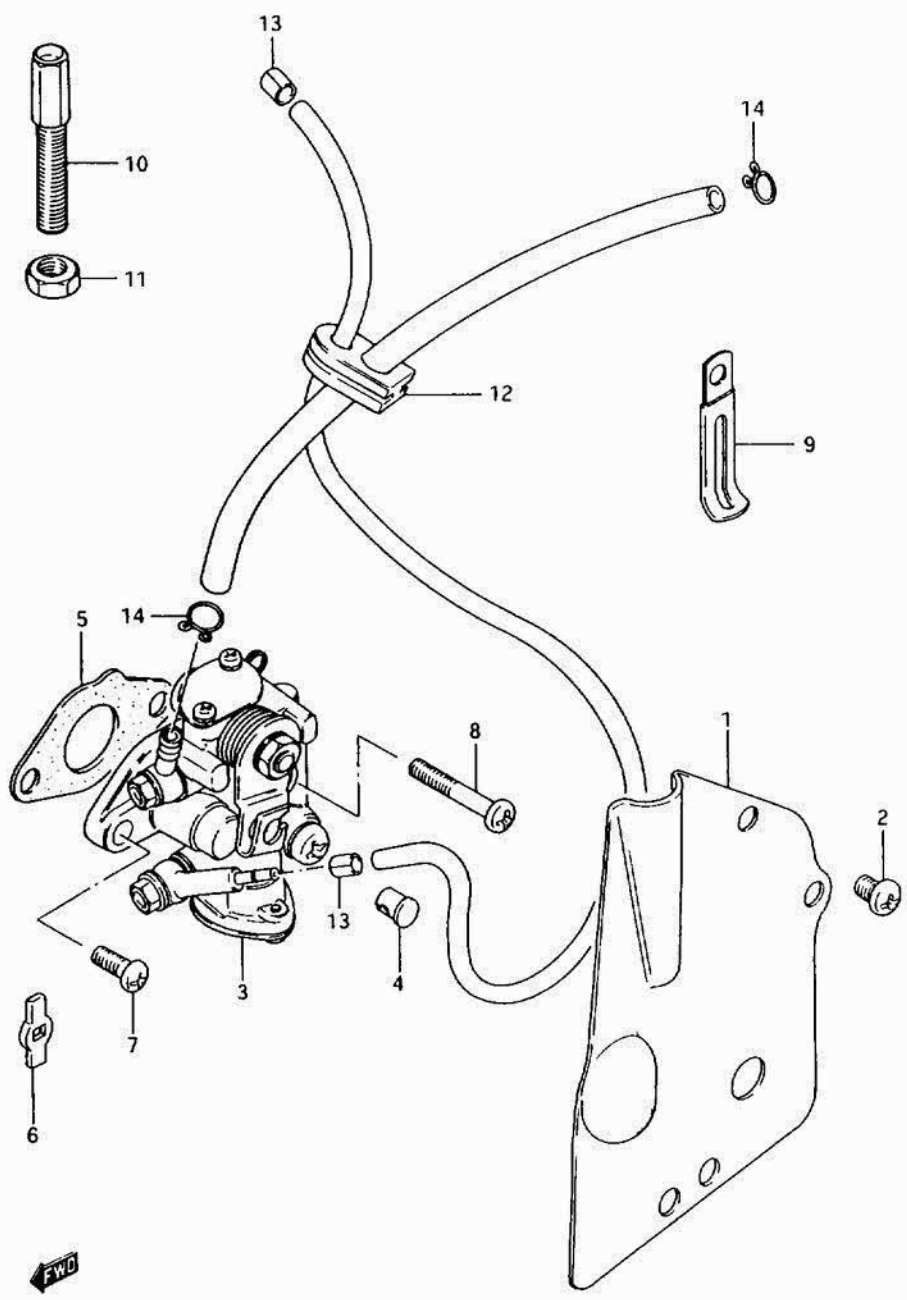
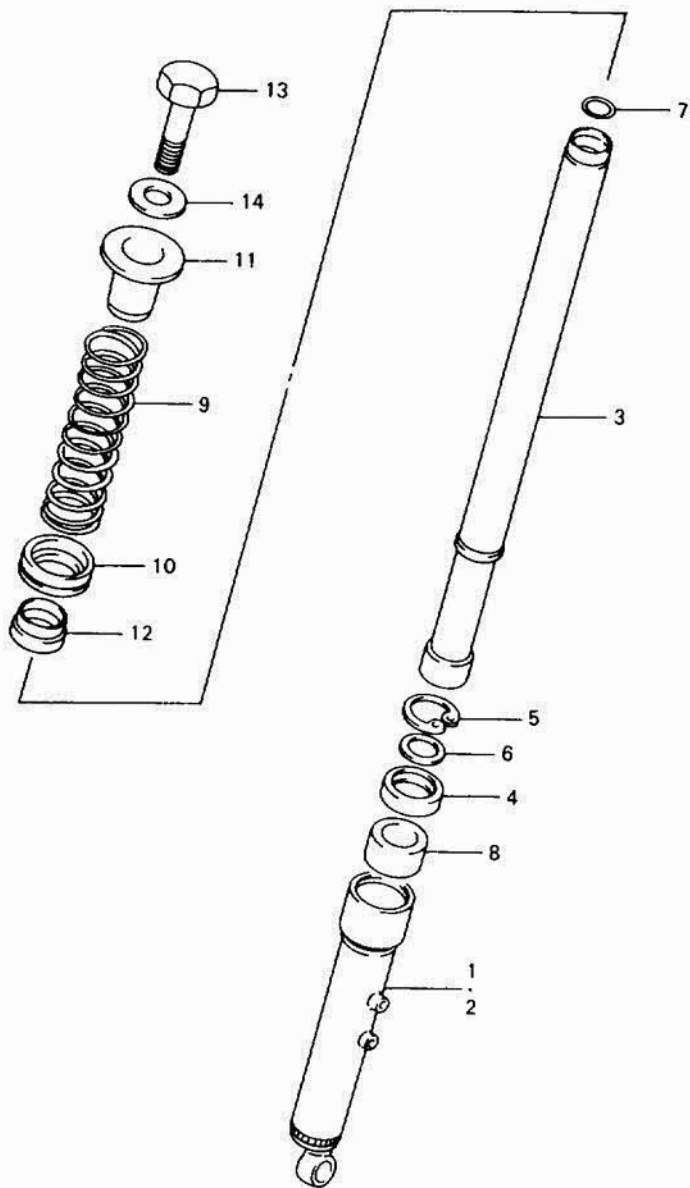


FIG. 36



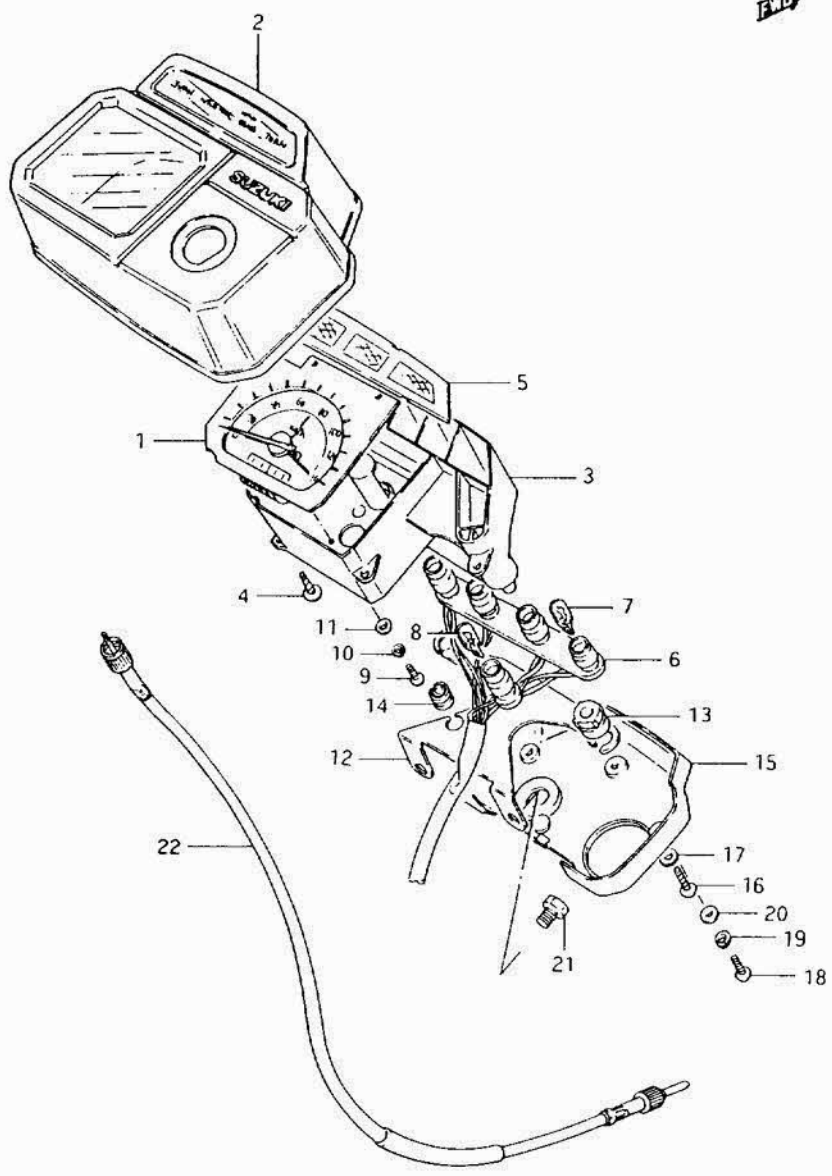


FIG. 32

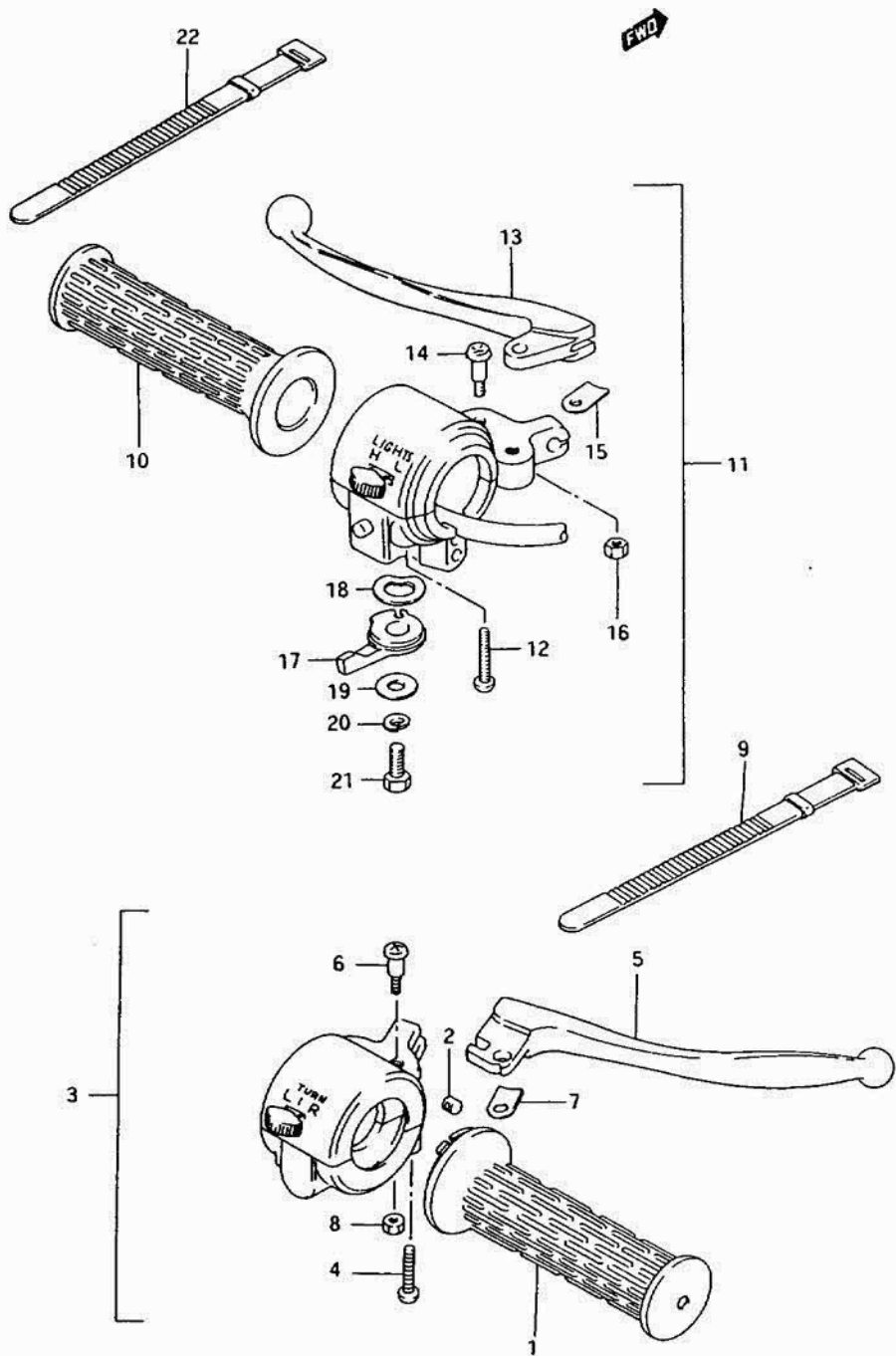


FIG. 31

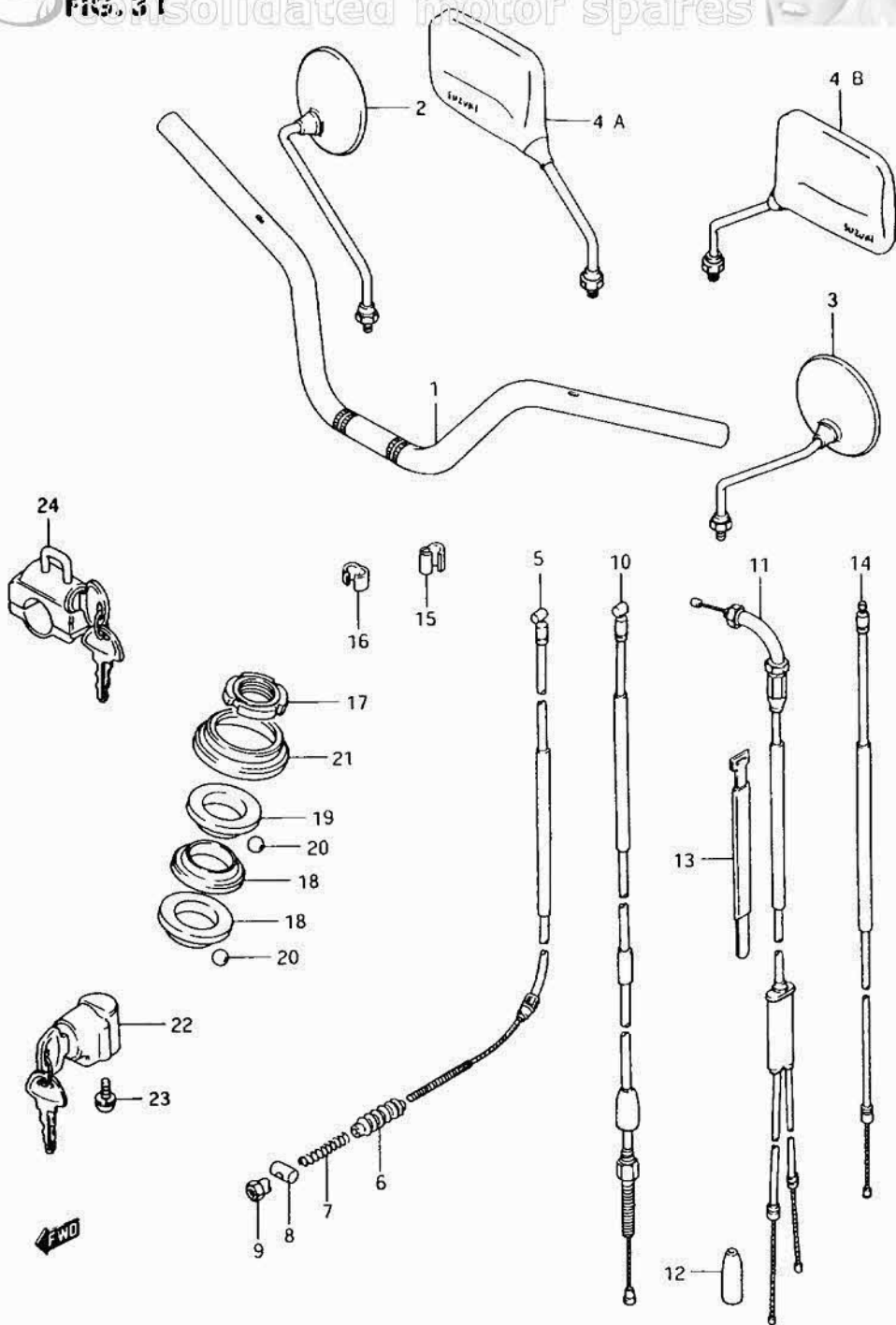


FIG. 32

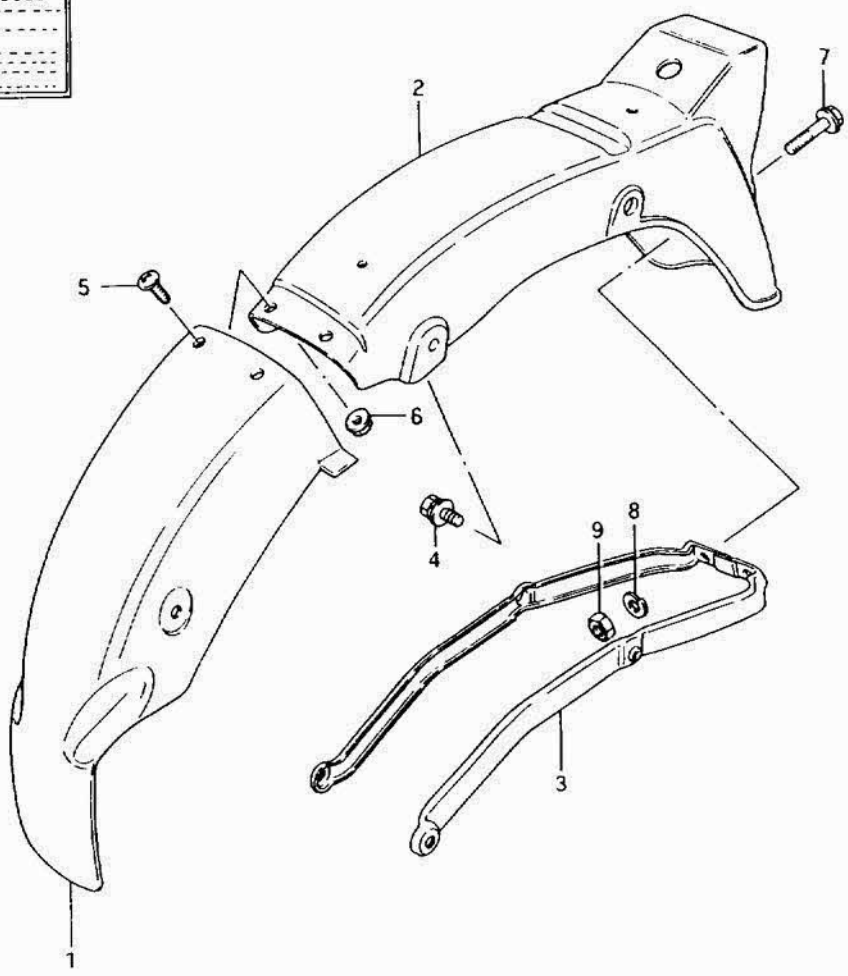


FIG. 30

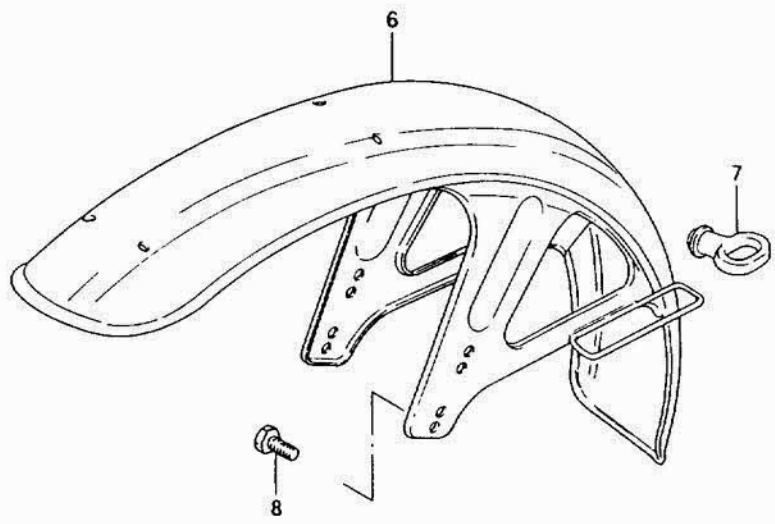
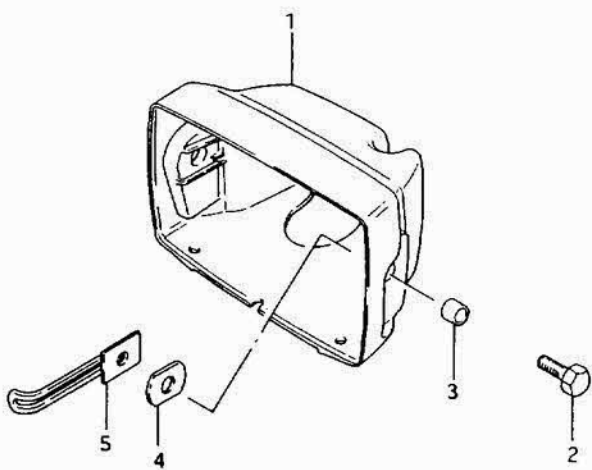




FIG. 21

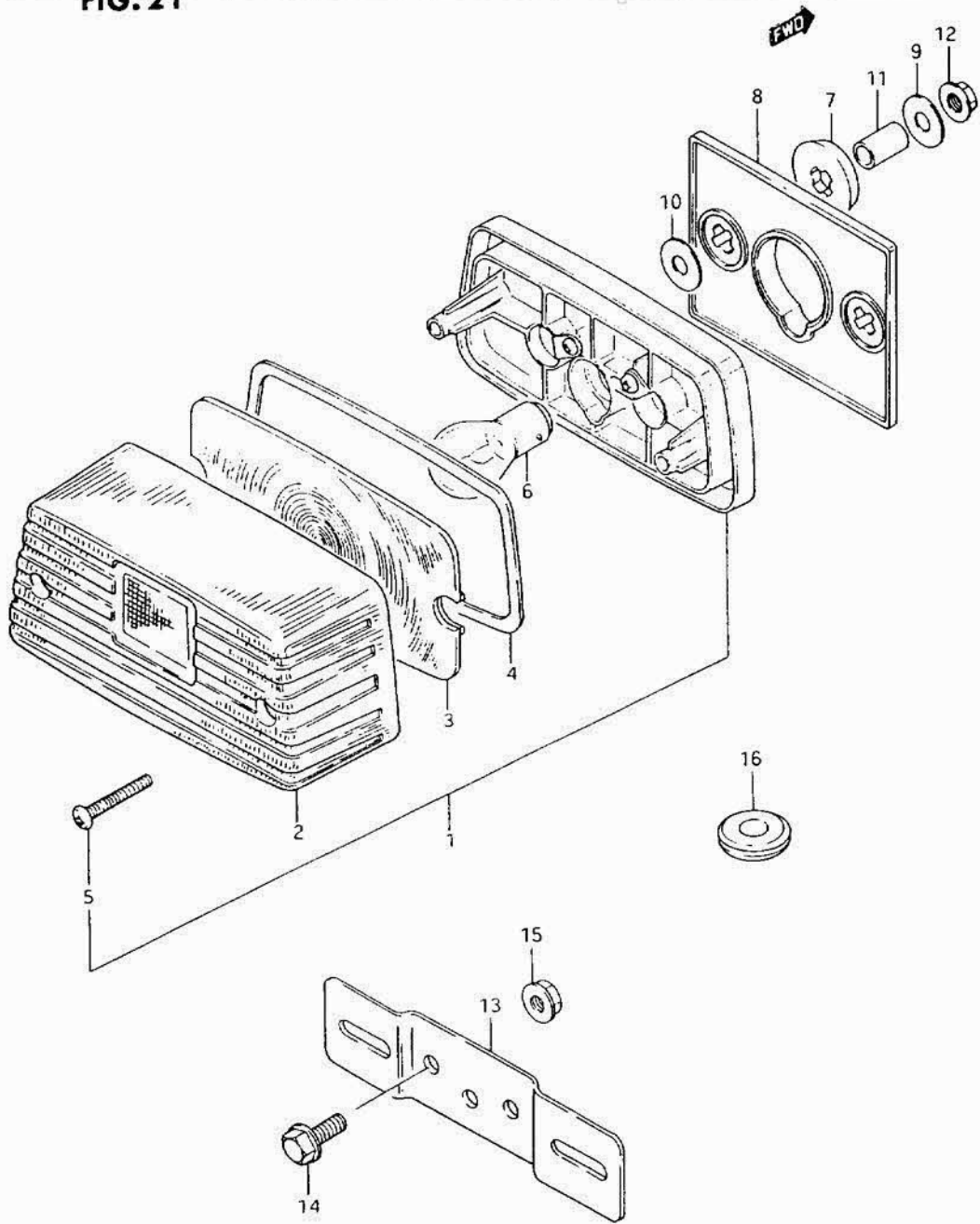




FIG. 10

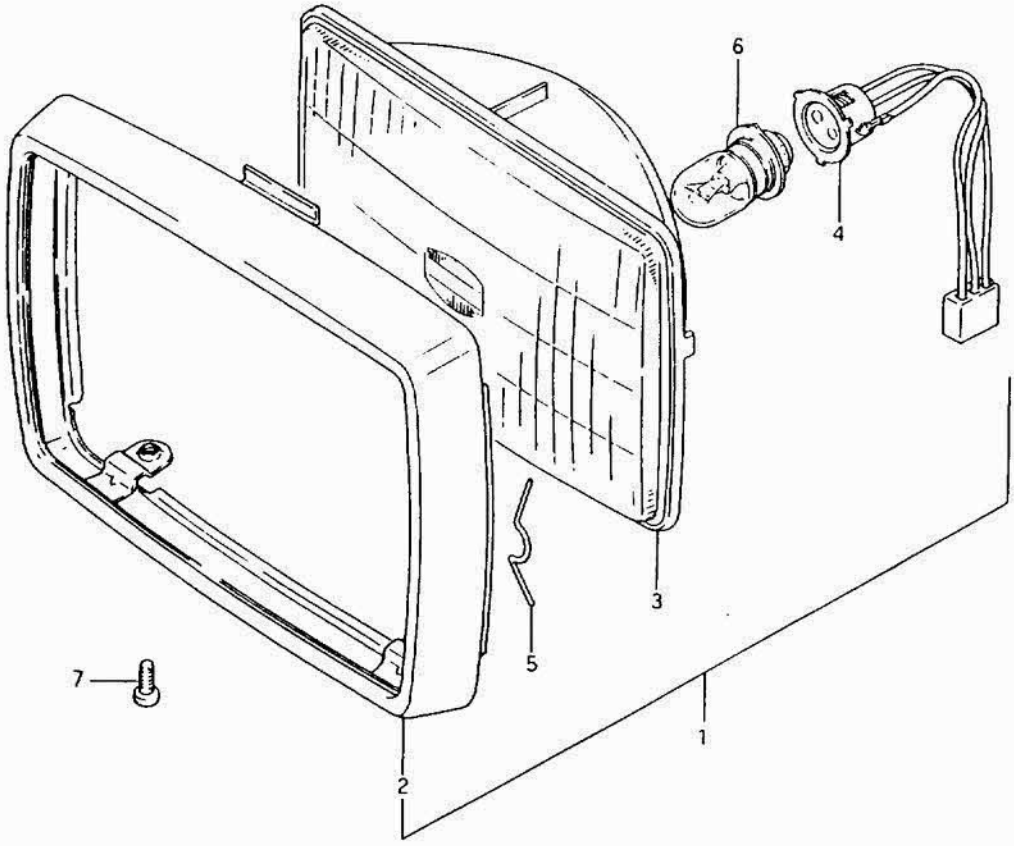


FIG. 20

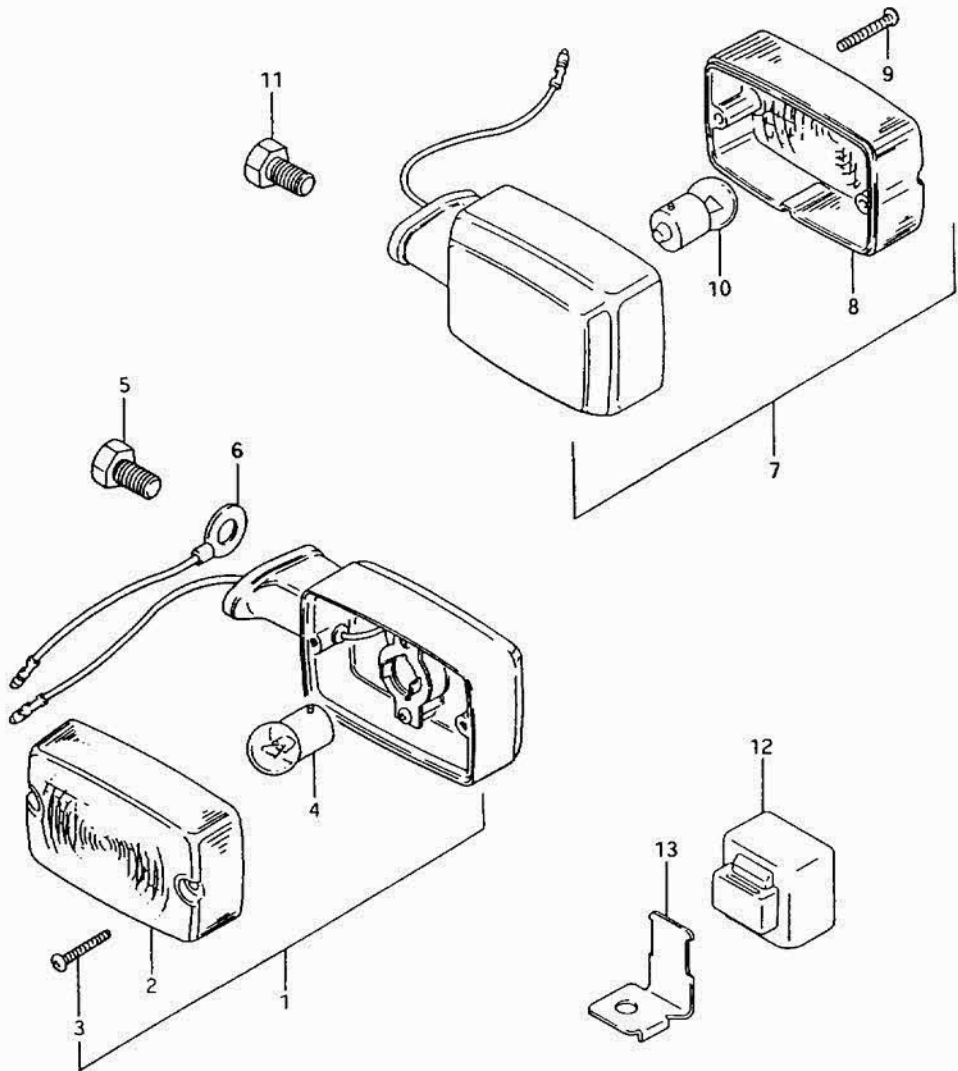


FIG. 198

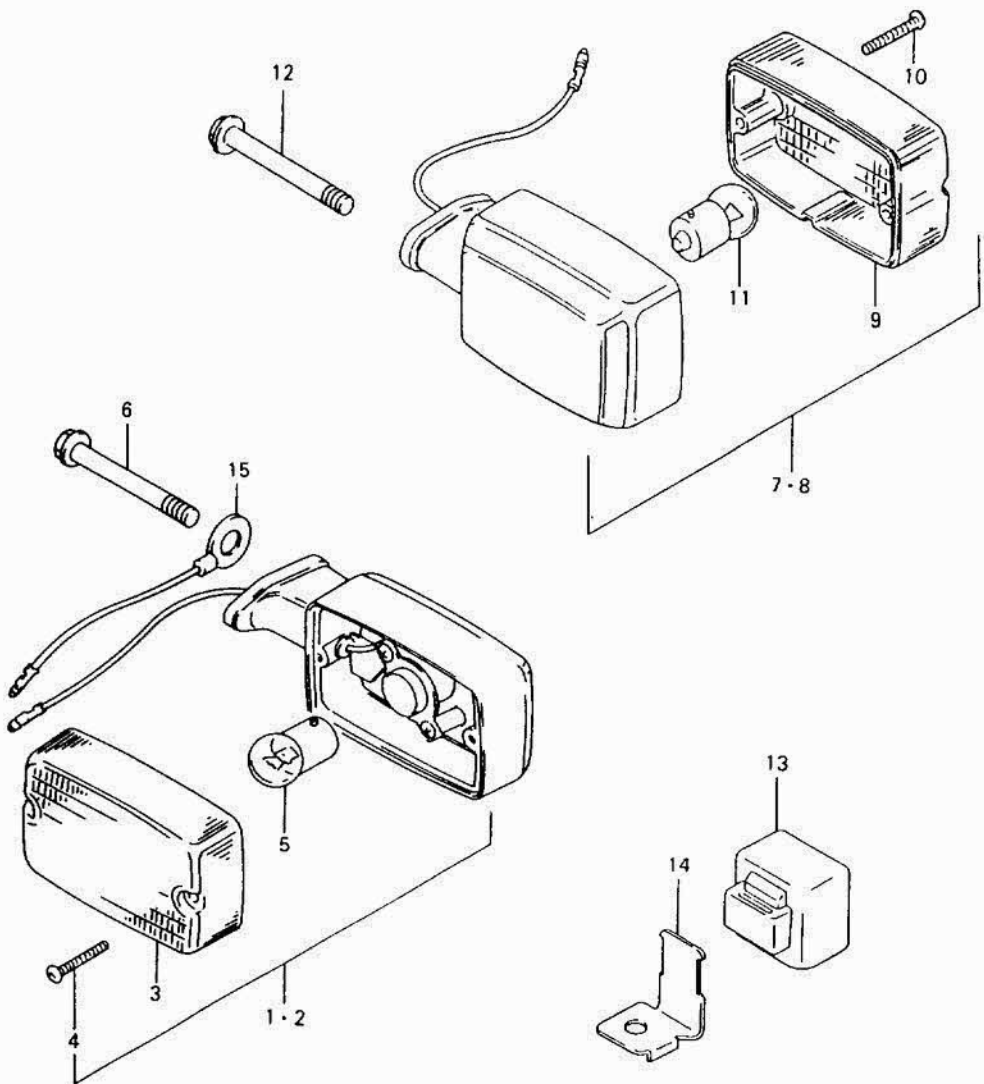




FIG. 19 A

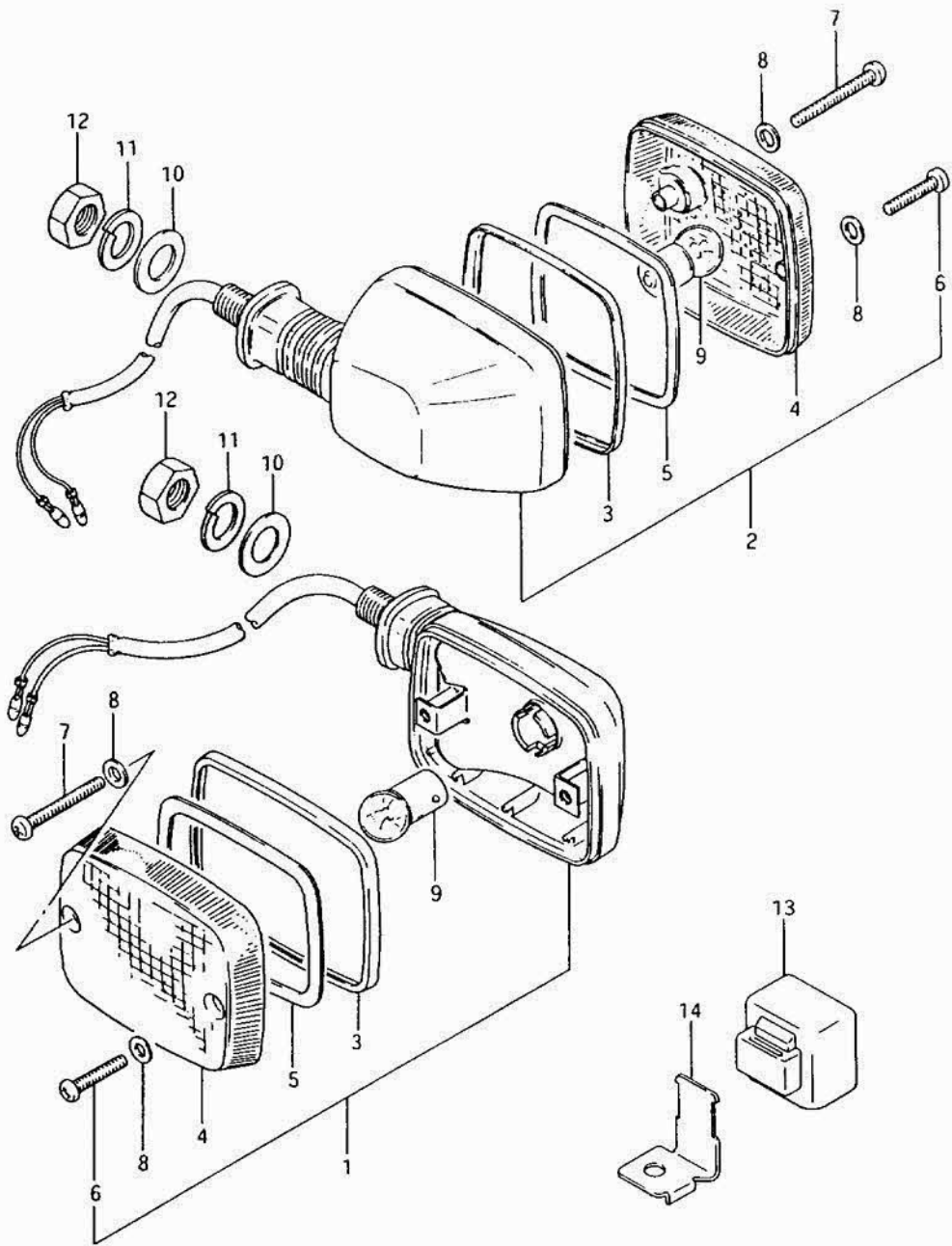




FIG. 19

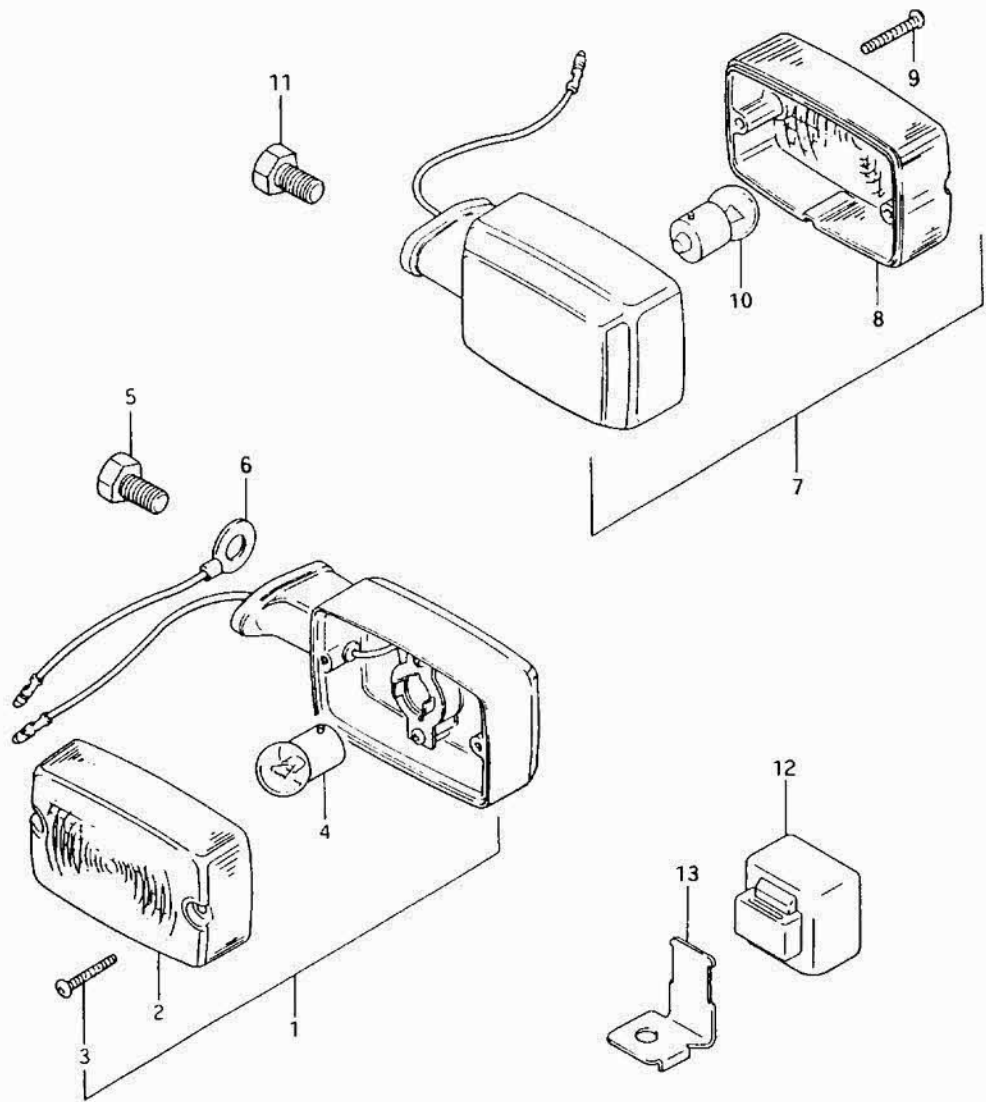




FIG. 42

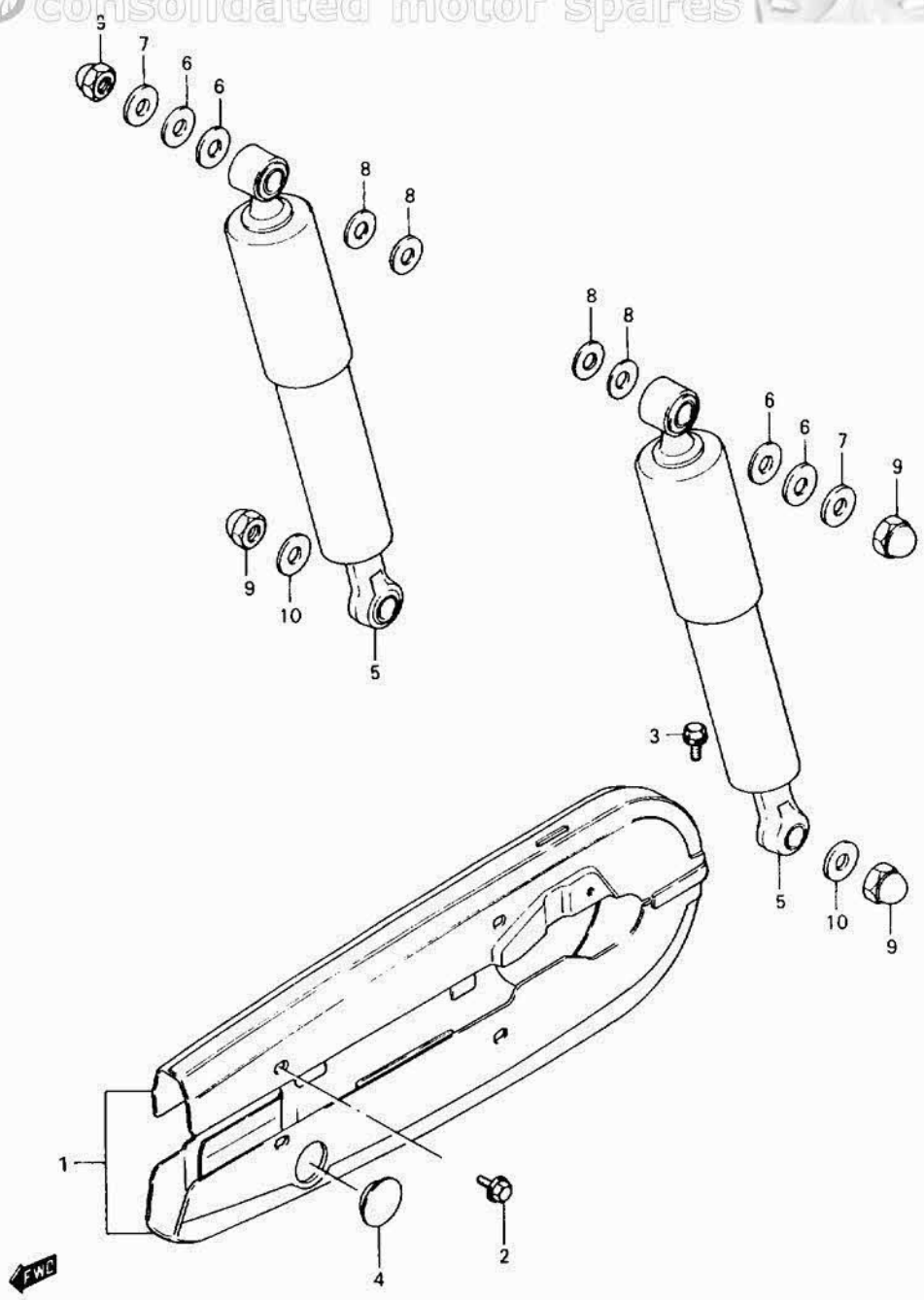
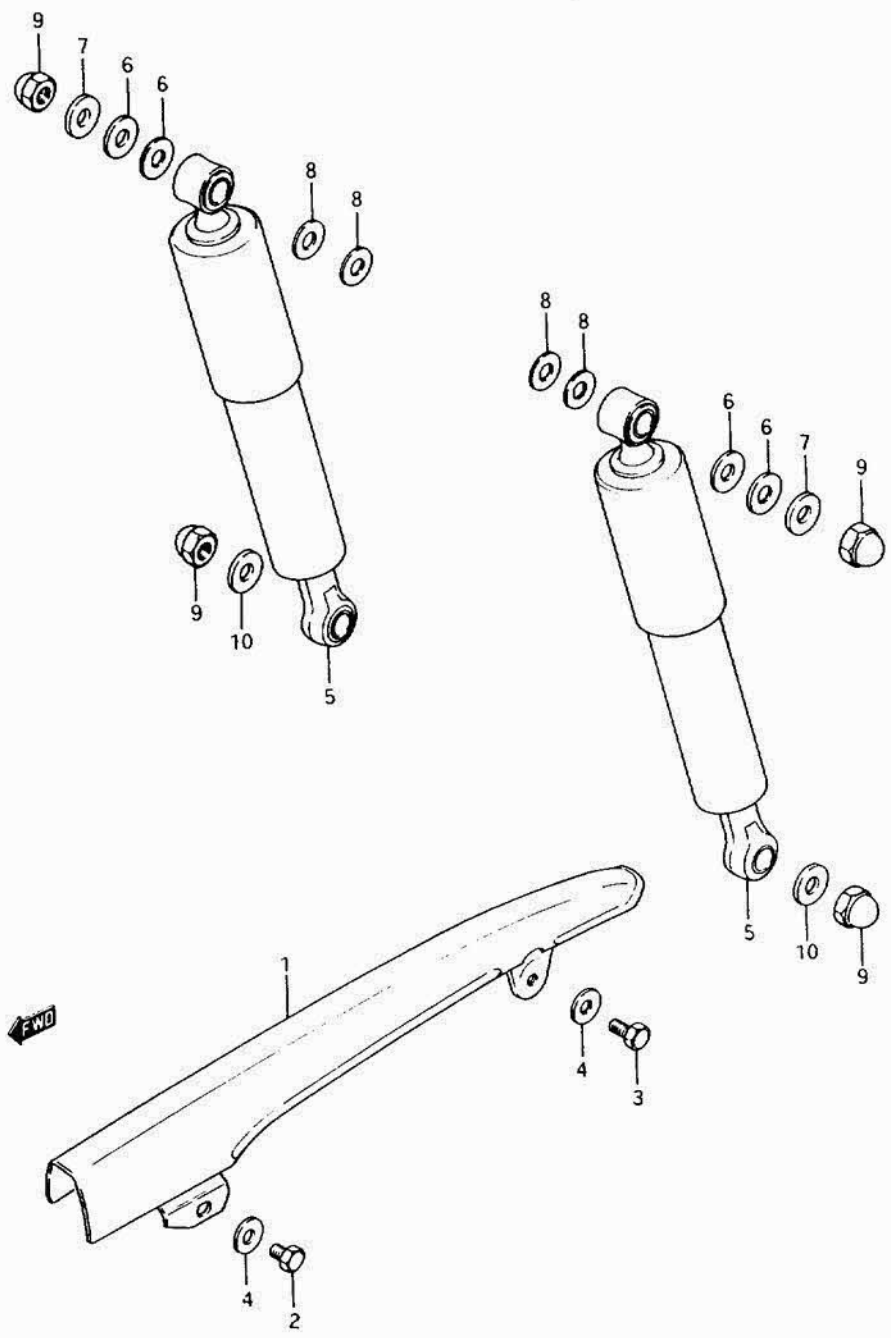


FIG. 41



FWD

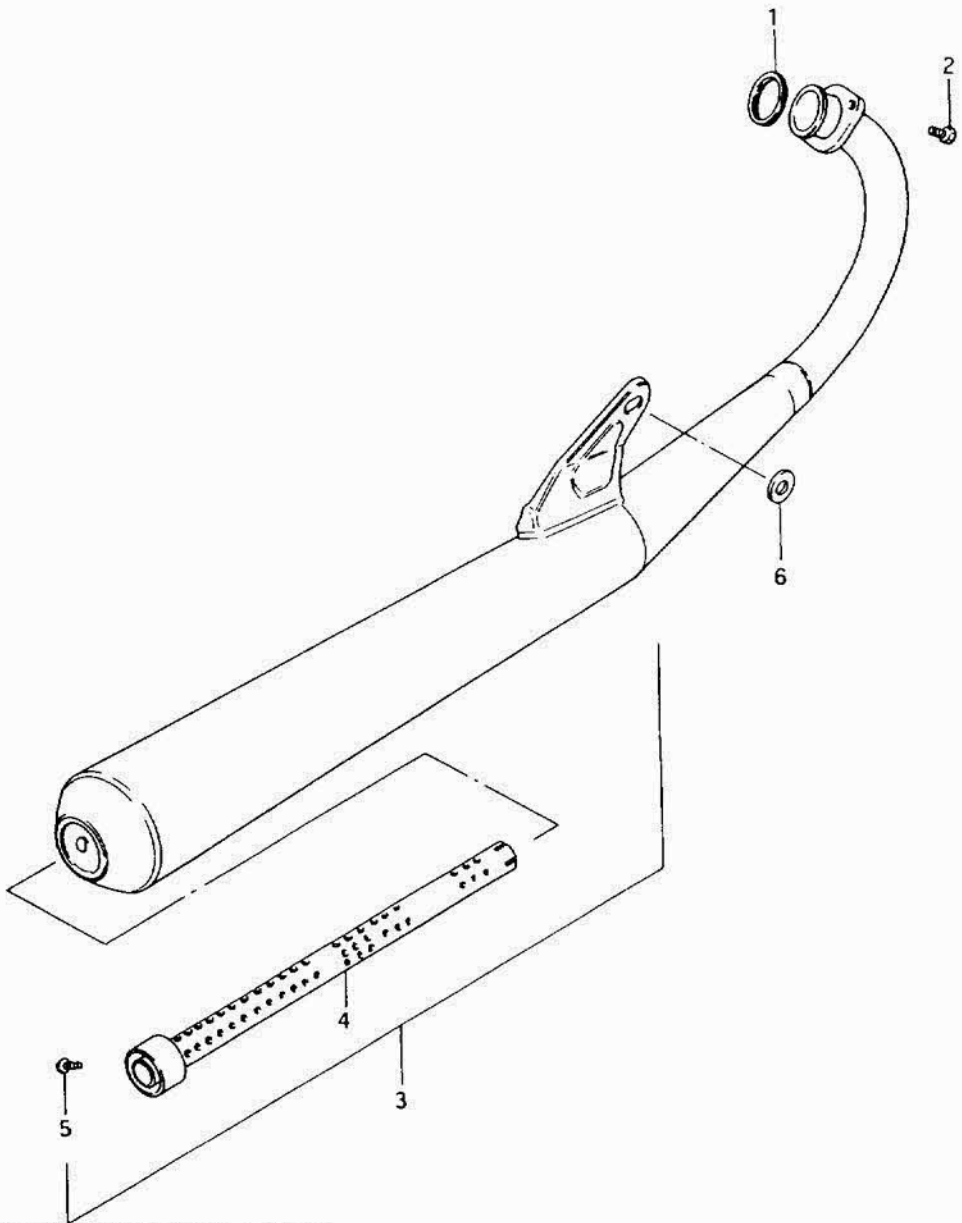


FIG. 40

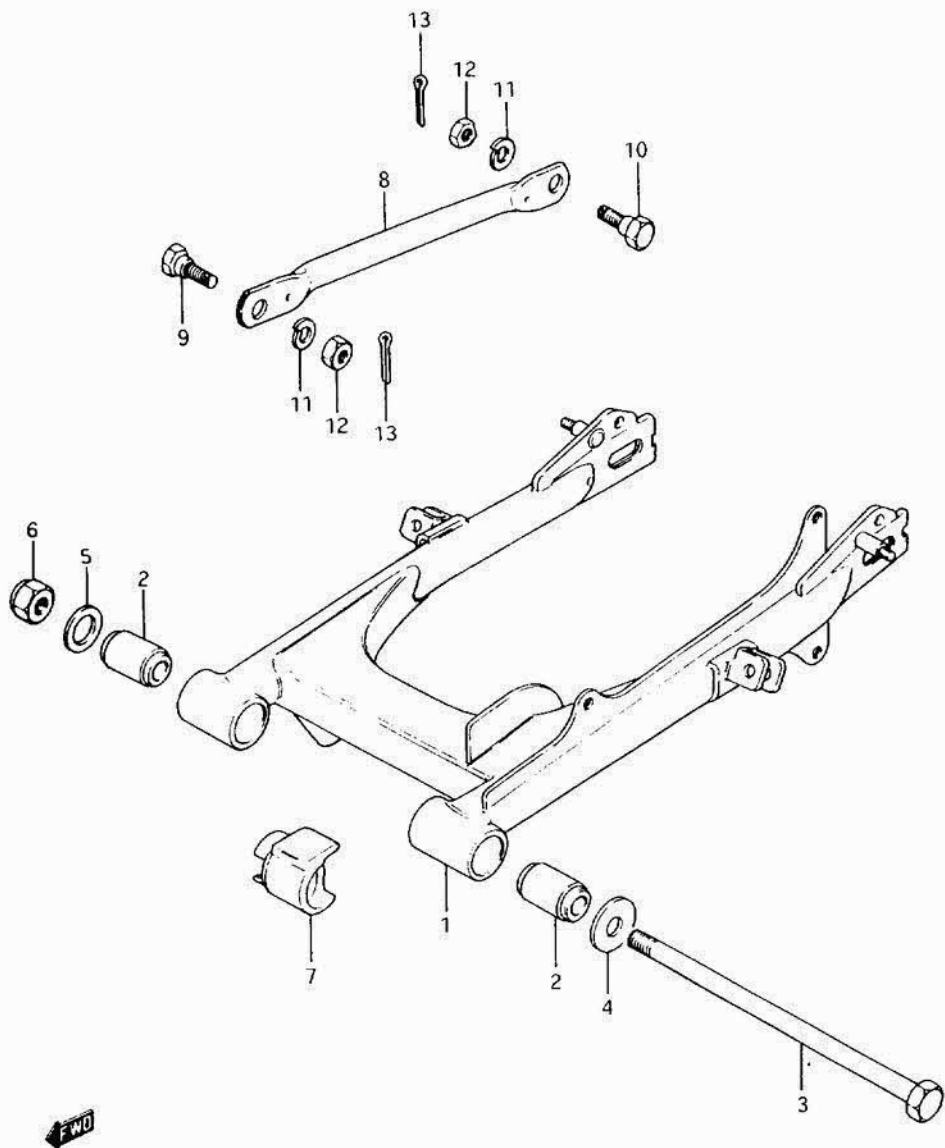
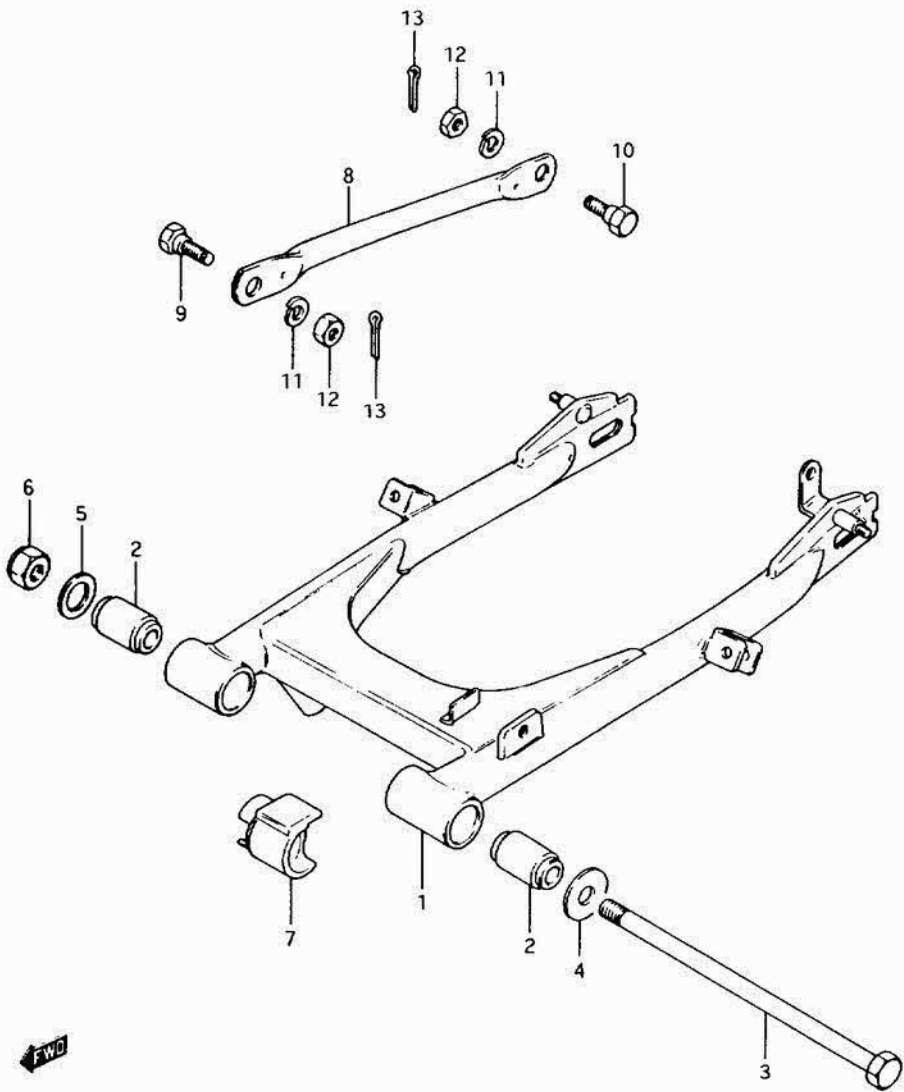
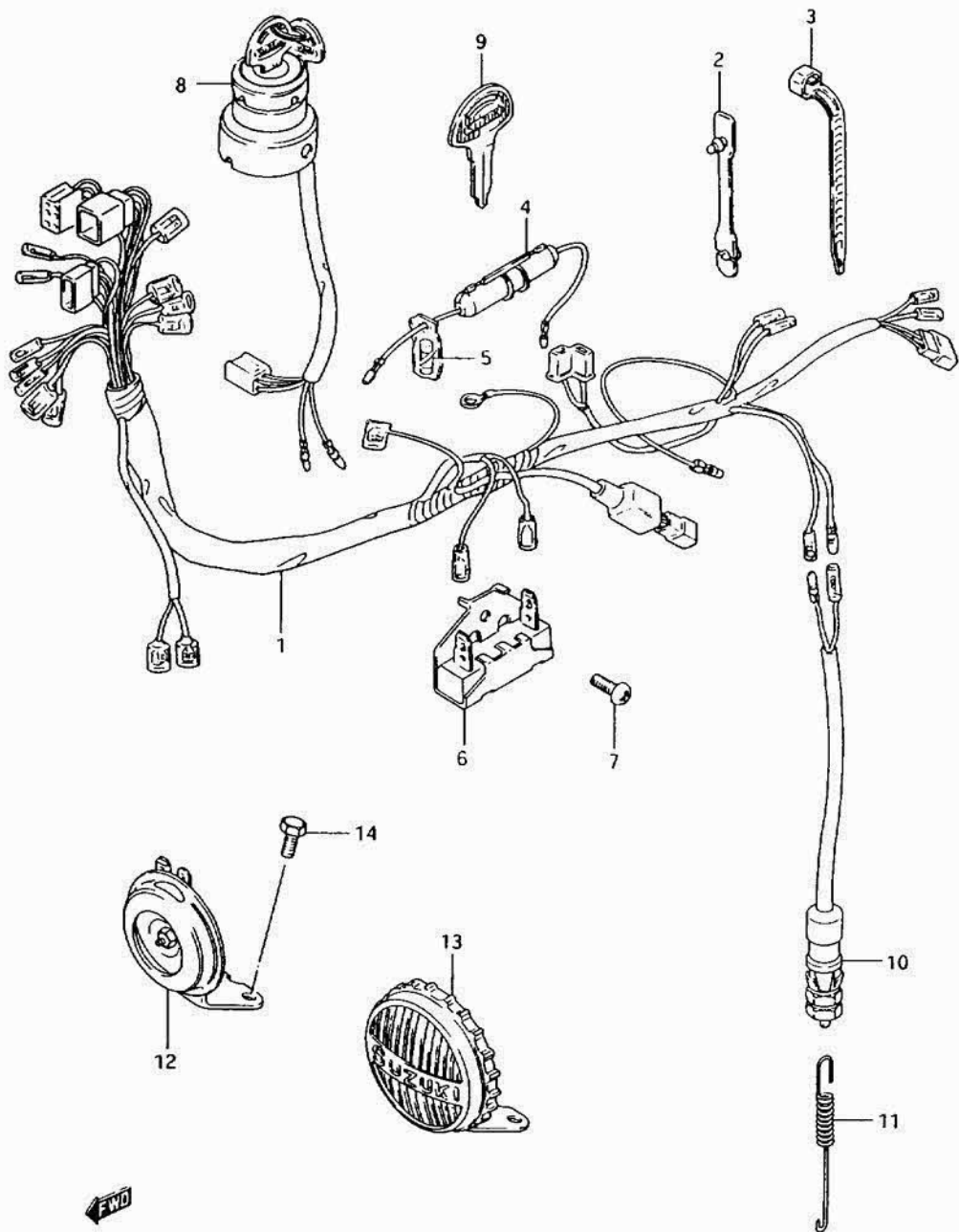


FIG. 39





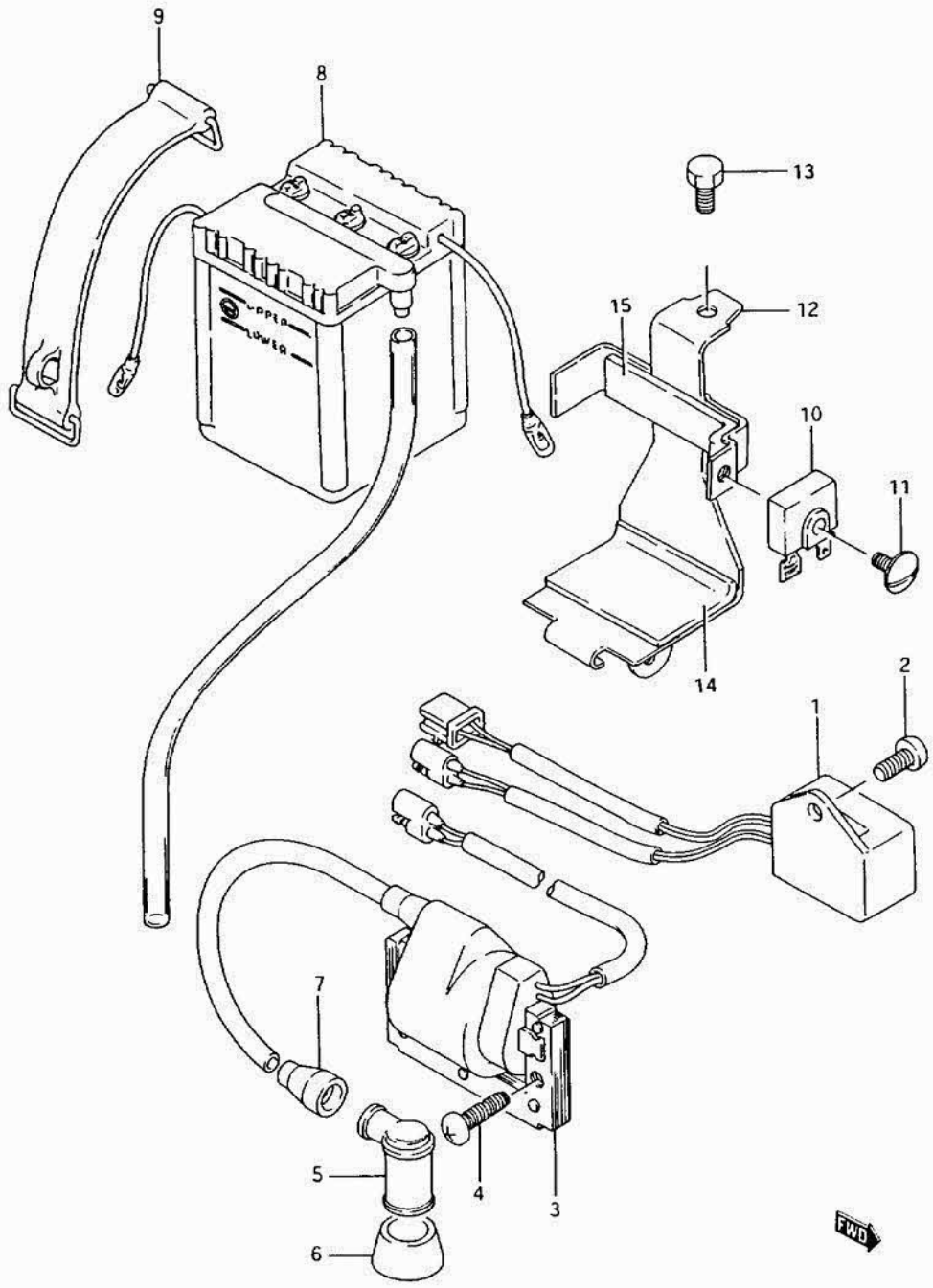
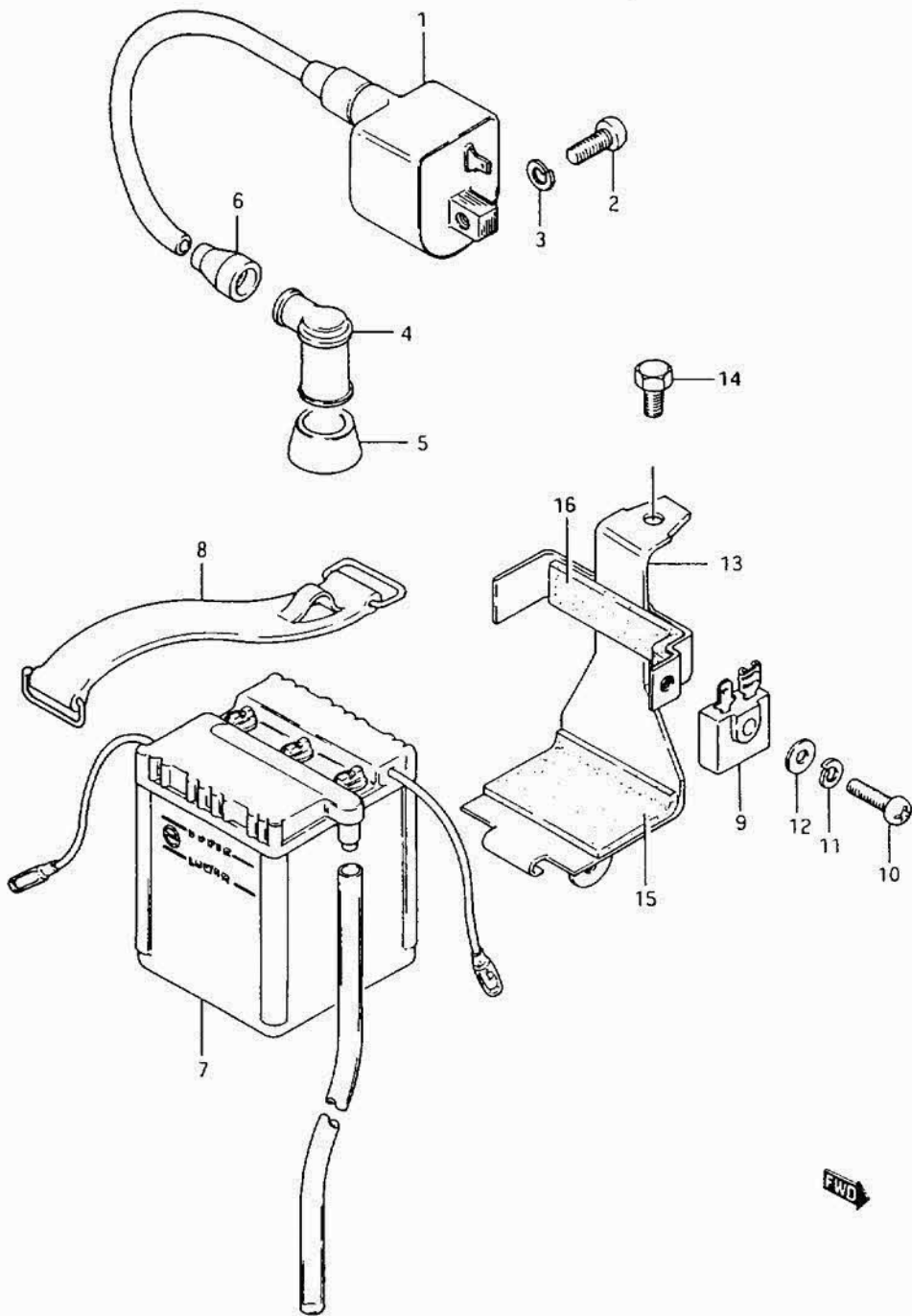


FIG. 15



FWD

FIG. 35

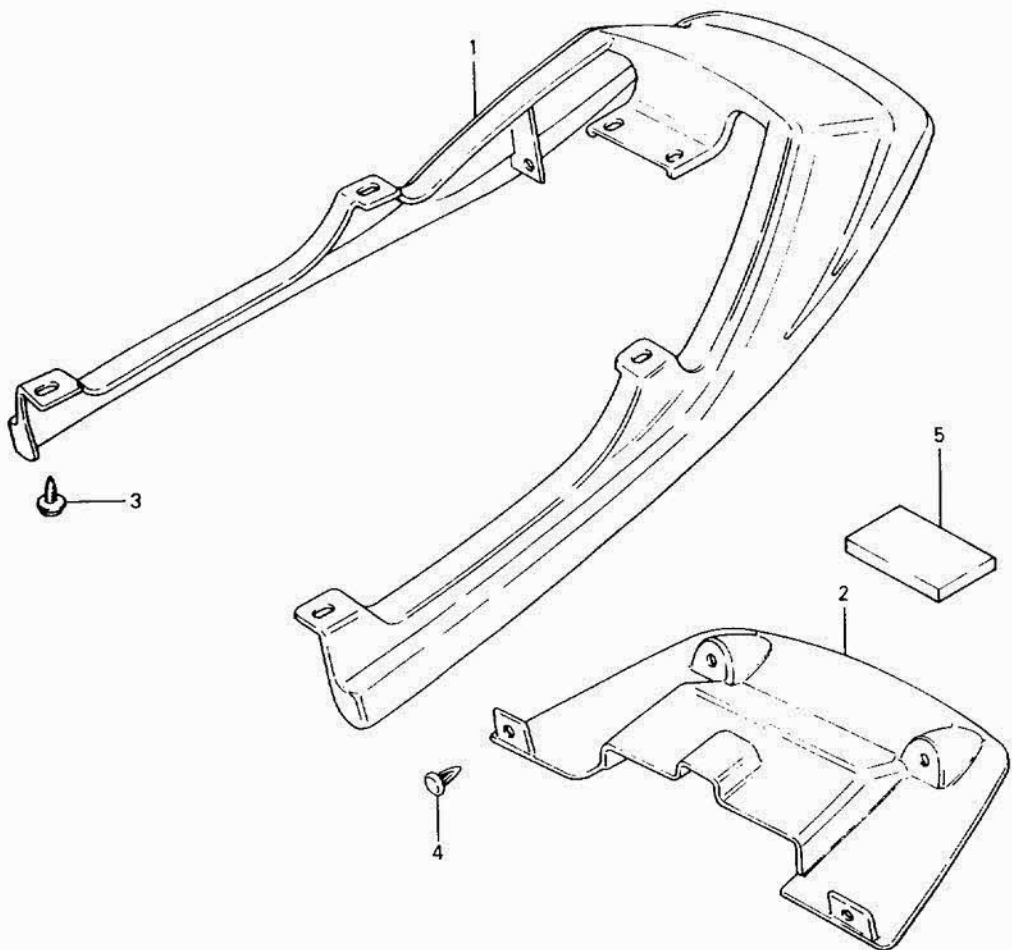


FIG. 34

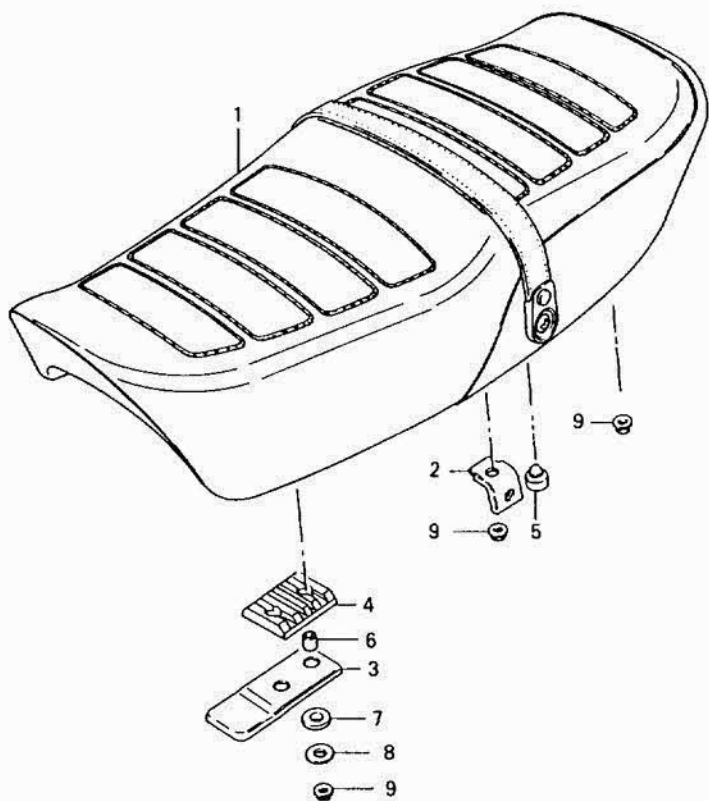
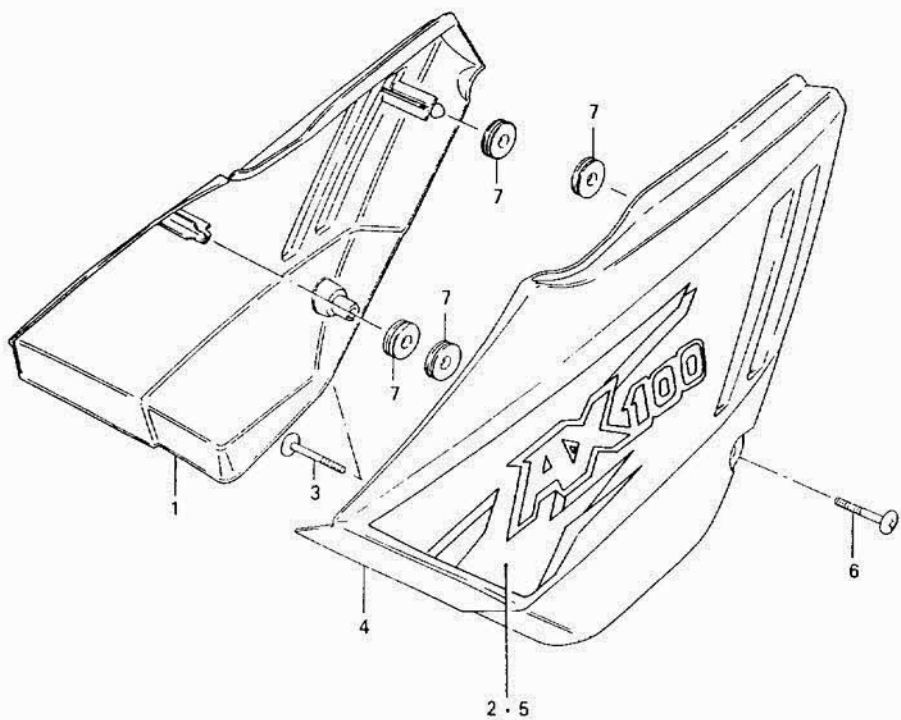


FIG. 29B



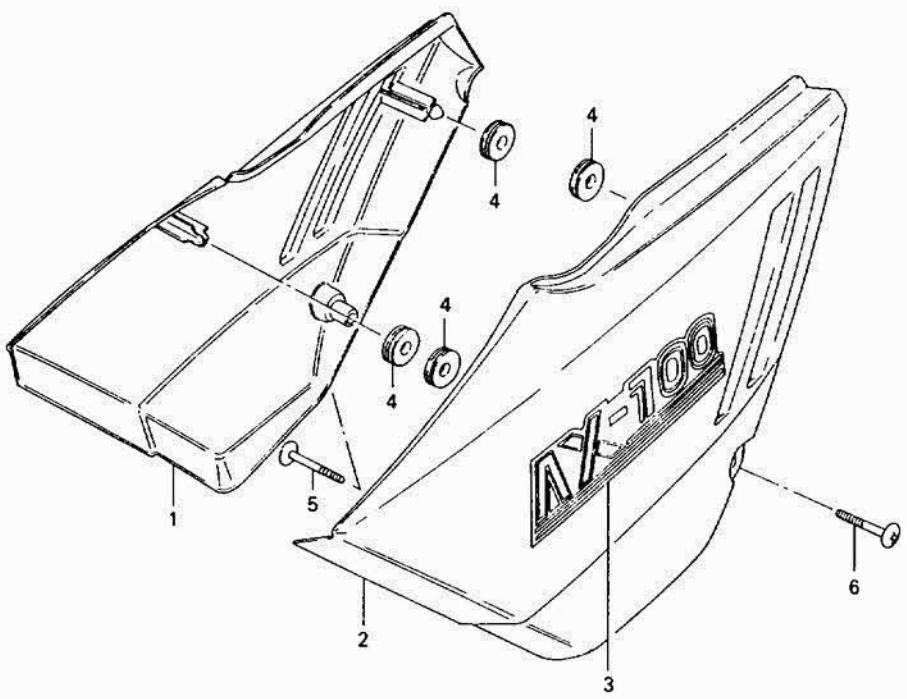


FIG. 39

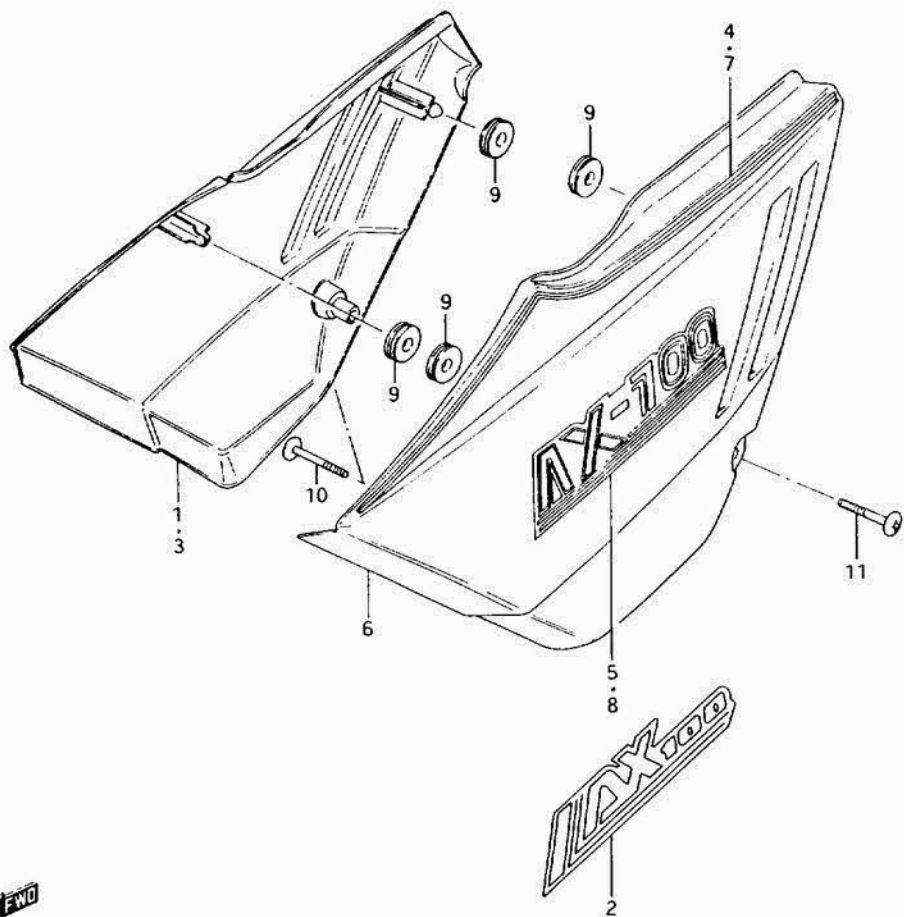


FIG. 23

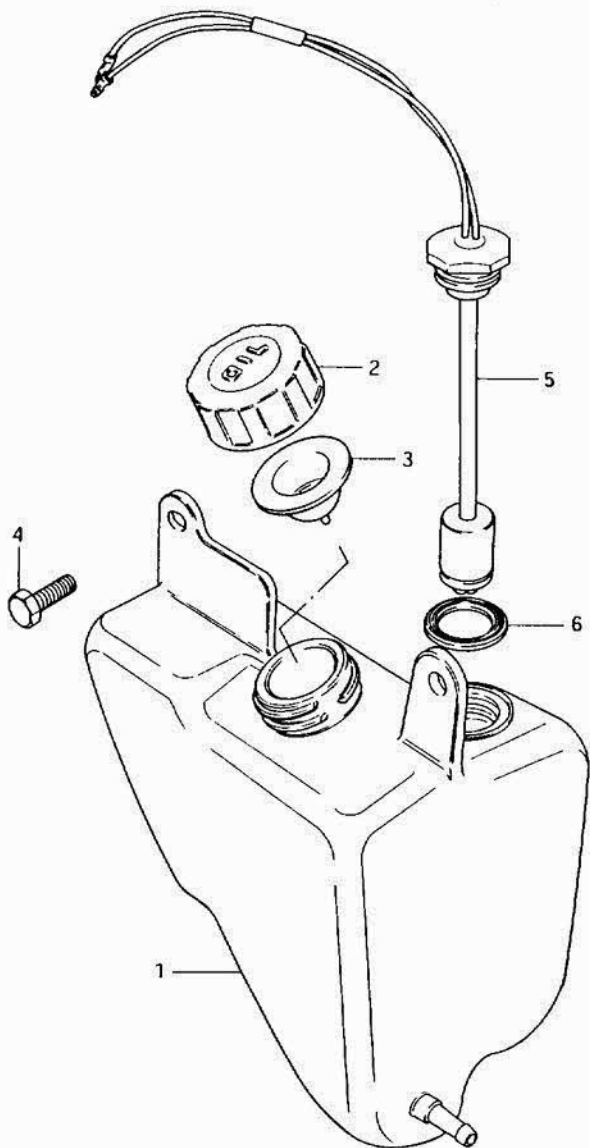
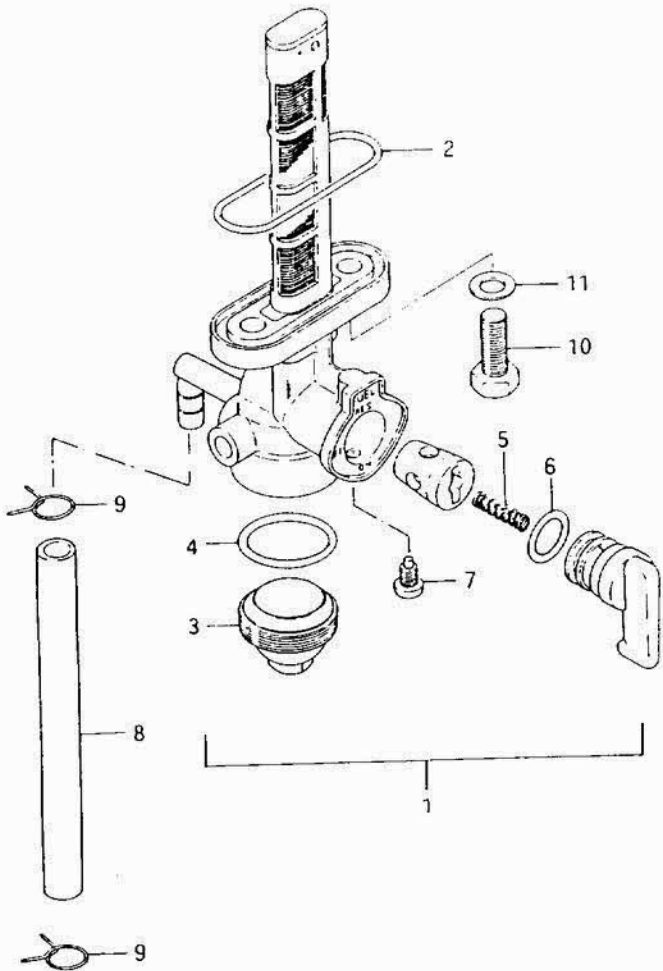


FIG. 27



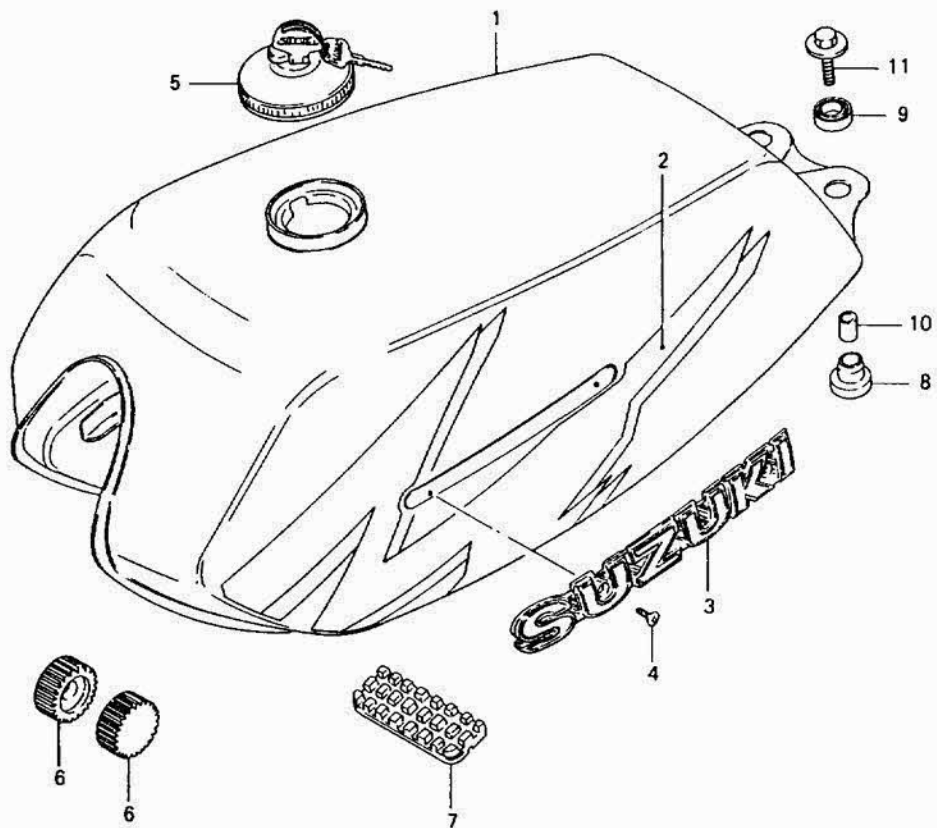


FIG. 26A

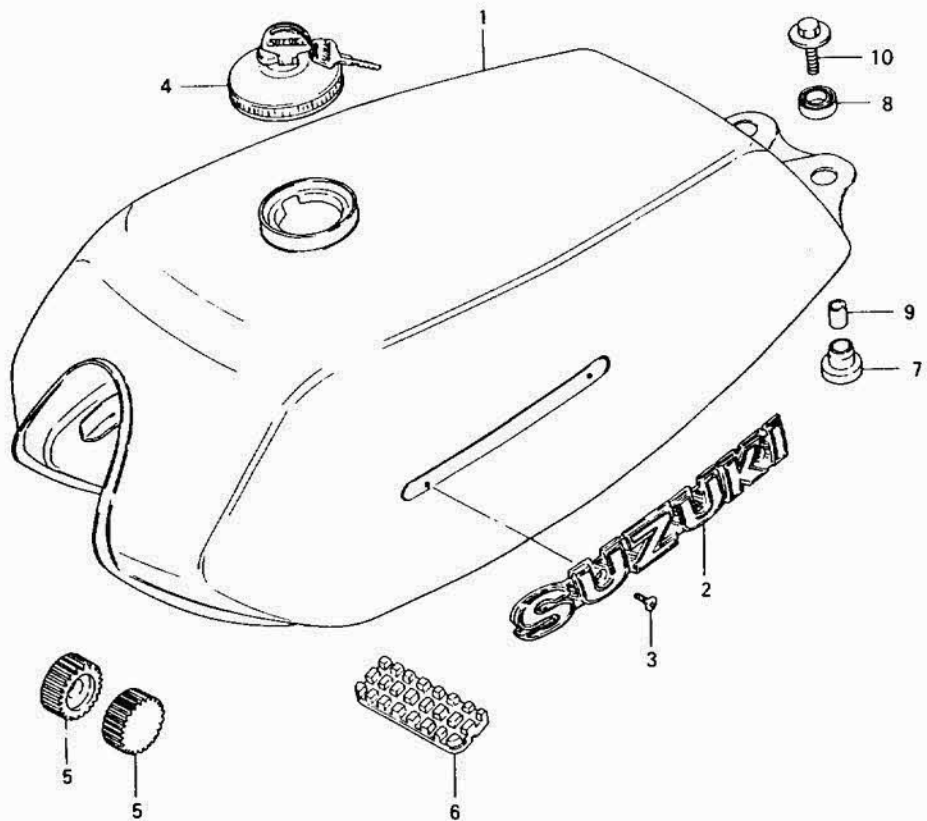


FIG. 25

