



**MAJIC**  
**1110**

**CATÁLOGO DE PARTES**

---

## PREFACIO

---

Es nuestro placer presentarles a ustedes el Catálogo de Partes.

Este Catálogo ha sido especialmente diseñado para ayudarle en la selección de las partes correctas con el fin de mantener el vehículo en las mejores condiciones.

Los repuestos originales están sujetos a un exigente estándar de control de calidad, por lo tanto es necesario que usted sólo use repuestos originales.

En nuestro constante esfuerzo para mejorar la eficiencia y desempeño de su vehículo, las especificaciones, diagramas y número de partes pueden cambiar sin previo aviso. Consecuentemente las descripciones de los repuestos en este Catálogo pueden no ser las finales y definitivas.

Las alteraciones y modificaciones que ocurren en la impresión de este Catálogo, serán informadas a nuestra red, a través de circulares de Servicio. Es requisito que usted actualice su Catálogo y haga las correcciones necesarias, una vez reciba dichas circulares. Lo anterior le asegurará un rápido y adecuado despacho de sus partes, pues las órdenes están siendo diligenciadas con las referencias más actualizadas.

En caso de necesitar asistencia técnica, comunicarse con el Distribuidor Autorizado o llamar al Departamento de Servicios Auteco-Kawasaki.



Red



Blue



Green

---



---

Model I.D. AH10-A5 (MAGICOP)

Color Red

Blue

Green

---

#### Painted Parts List

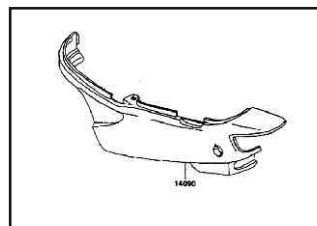
---

Description	Group No.	Part No.
-------------	-----------	----------

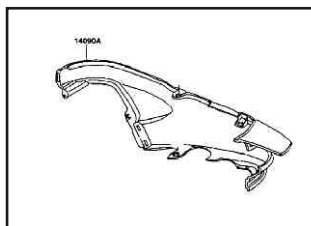
COVER,FRONT	34	14090-171??
COVER,SEAL,LH	30	14090-1982-??
COVER,SEAL,RH	30	14090-1983-??
FENDER-FRONT,RH	20	35004-1354-??
COVER-SIDE,LH	33	36001-1555-??
COVER-SIDE,RH	33	36001-A012-??
COWLING,LEG SHIELD,LH	34	55028-1307-??
COWLING,LEG SHIELD,RH	34	55028-1308-??
COVER-HANDLE,FR	26	59441-1132-??

---

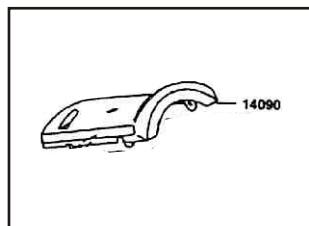
## REFERENCIAS POR COLOR



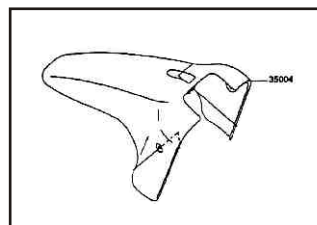
CUBIERTA SILLIN LH



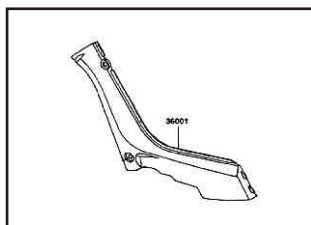
CUBIERTA SILLIN RH



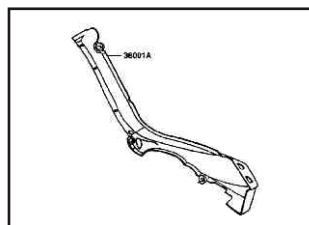
CUBIERTA FRONTAL



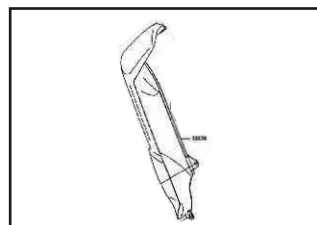
GUARDAFANGO DEL.



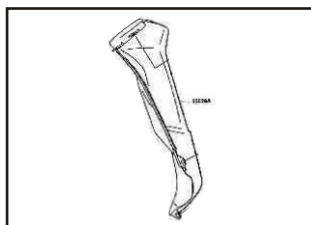
CUBIERTA LATERAL L.H.



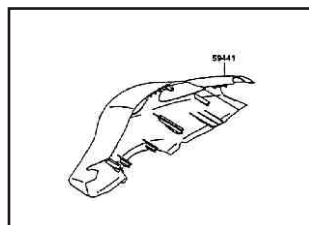
CUBIERTA LATERAL R.H.



CARENAJE L.H.



CARENAJE R.H.



CUBIERTA MANUBRIO DELANTERA

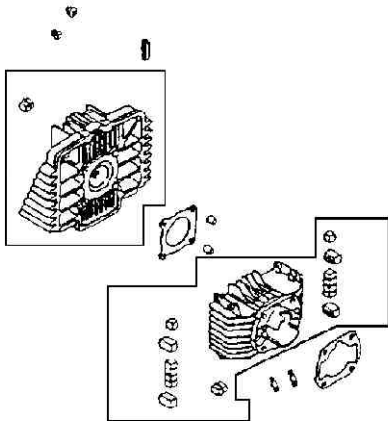
Ref.  
No.

Description

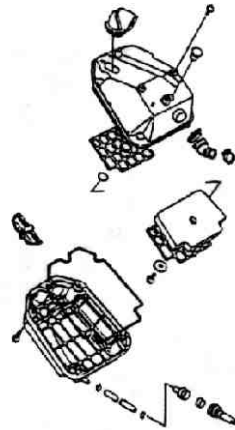
<b>14090-1982-NP</b>	<b>CUBIERTA SILLIN LH SIN PINTAR</b>
14090-A700	CUBIERTA SILLIN L.H. AZUL
14090-A702	CUBIERTA SILLIN L.H. VERDE
14090-A704	CUBIERTA SILLIN LH ROJO
<b>14090-1983-NP</b>	<b>CUBIERTA SILLIN RH SIN PINTAR</b>
14090-A701	CUBIERTA SILLIN RH AZUL
14090-A703	CUBIERTA SILLIN RH VERDE
14090-A705	CUBIERTA SILLIN RH ROJO
<b>14090-1711-NP</b>	<b>CUBIERTA FRONTAL SIN PINTAR</b>
14090-A706	CUBIERTA FRONTAL AZUL
14090-A707	CUBIERTA FRONTAL VERDE
14090-A708	CUBIERTA FRONTAL ROJA
<b>35004-1354-NP</b>	<b>GUARDAFANGO DEL. SIN PINTAR</b>
35004-A702	GUARDAFANGO DEL. AZUL
35004-A703	GUARDAFANGO DEL. VERDE
35004-A704	GUARDAFANGO DEL. ROJO
<b>36001-1555-NP</b>	<b>CUBIERTA LATERAL LH SIN PINTAR</b>
36001-A708	CUBIERTA LATERAL LH. AZUL
36001-A710	CUBIERTA LATERAL L.H. VERDE
36001-A712	CUBIERTA LATERAL L.H. ROJA
<b>36001-A012-NP</b>	<b>CUBIERTA LATERAL R.H. SIN PINTAR</b>
36001-A709	CUBIERTA LATERAL R.H. AZUL
36001-A711	CUBIERTA LATERAL R.H. VERDE
36001-A713	CUBIERTA LATERAL R.H. ROJO
<b>55028-1307-NP</b>	<b>CARENAJE L.H. SIN PINTAR</b>
55028-A700	CARENAJE L.H. AZUL
55028-A702	CARENAJE L.H. VERDE
55028-A704	CARENAJE L.H. ROJO
<b>55028-1308-NP</b>	<b>CARENAJE R.H. SIN PINTAR</b>
55028-A701	CARENAJE R.H. AZUL
55028-A703	CARENAJE R.H. VERDE
55028-A705	CARENAJE R.H. ROJO
59441-A700	CUBIERTA MANUBRIO DEL. AZUL
59441-A701	CUBIERTA MANUBRIO DEL. VERDE
59441-A702	CUBIERTA MANUBRIO DEL. ROJA

**NOTA:** Si la Matricula del vehículo figura con color "VERDE", la parte se debe solicitar a AUTEKO con la referencia del color "AZUL" de éste catálogo de partes

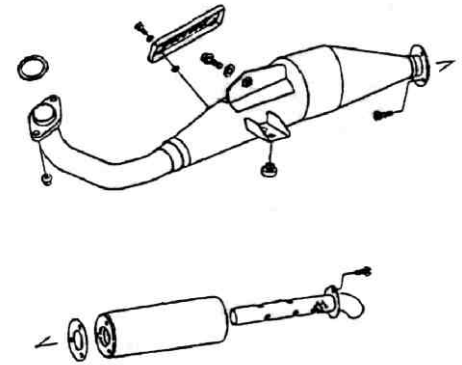
Air Cleaner .....	2	Handlebar .....	27
Brake Pedal .....	26	Headlight(s) .....	36
Cables .....	33	Ignition Switch .....	40
Carburetor (1/2) .....	12	Ignition System .....	16
Carburetor (2/2) .....	13	Kickstarter Mechanism .....	5
Carrier(s) .....	43	Label(s) .....	42
Chassis Electrical Equipment .....	39	Leg Shield .....	35
Clutch .....	6	Meter(s) .....	32
Crankcase .....	10	Muffler(s) .....	3
Crankshaft/Piston(s) .....	4	Oil Pump .....	14
CylinderHead/Cylinder .....	1	Oil Tank .....	30
Engine Cover(s) .....	11	Owner's Tools .....	41
Fenders .....	21	Rear Hub .....	25
Footrests .....	20	Seat .....	31
Frame .....	17	Side Covers/Chain Cover .....	34
Frame Fittings .....	18	Stand(s) .....	22
Front Fork .....	28	Swingarm/Shock Absorber .....	19
Front Hub .....	24	Taillight(s) .....	37
Fuel Tank .....	29	Tires .....	23
Gear Change Drum/Shift Fork(s) .....	8	Transmission .....	7
Gear Change Mechanism .....	9	Turn Signals .....	38
Generator .....	15		



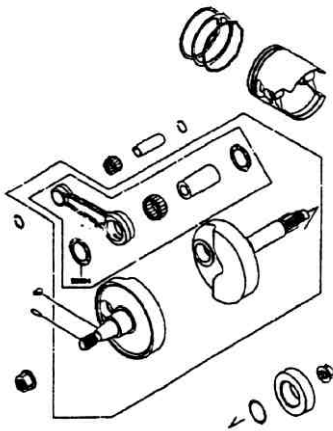
1 Cylinder Head Cylinder



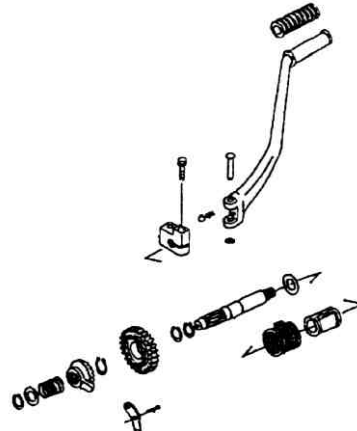
2 Air Cleaner



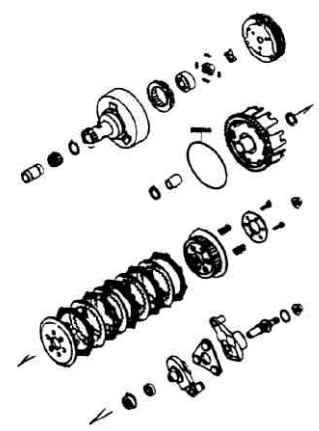
3 Muffler(s)



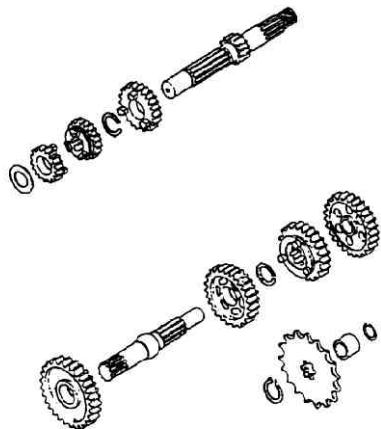
4 Crankshaft/Piston(s)



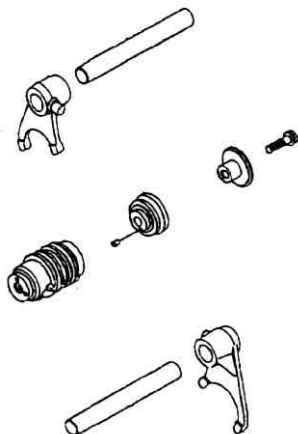
5 Kickstarter Mechanism



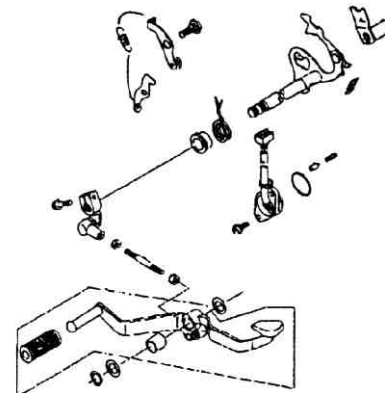
6 Clutch



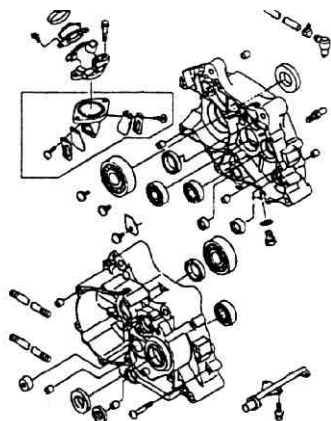
7 Transmission



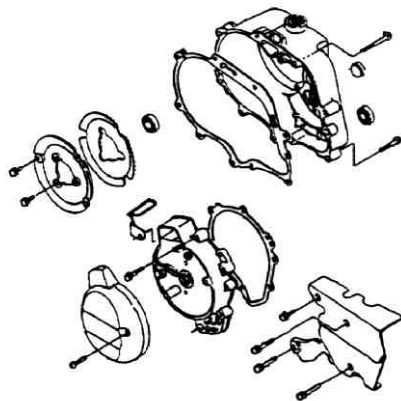
8 Gear Change Drum/Shift Forf(s)



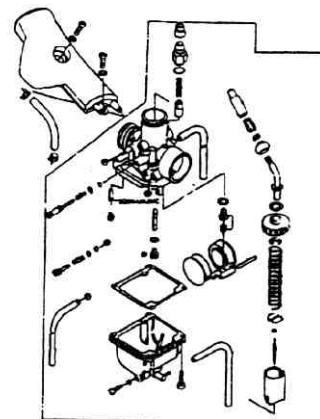
9 Gear Change Mechanism



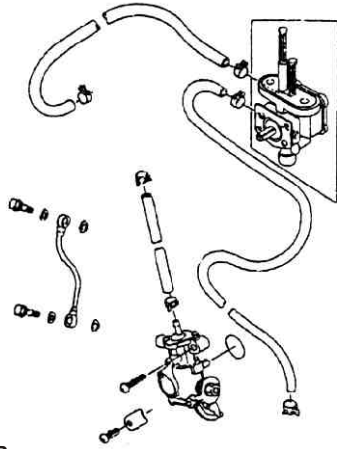
10 Crankcase



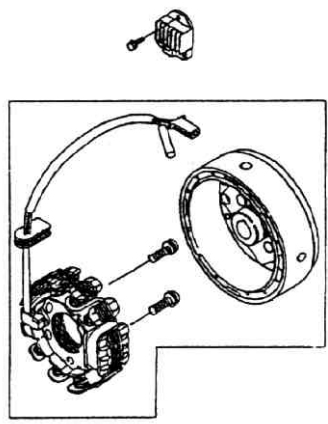
11 Engine Cover(s)



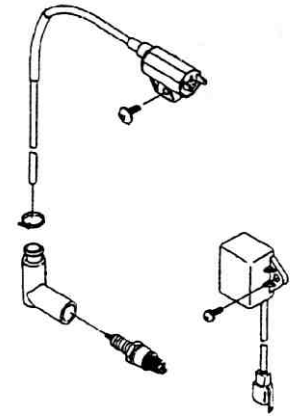
12 Carburetor



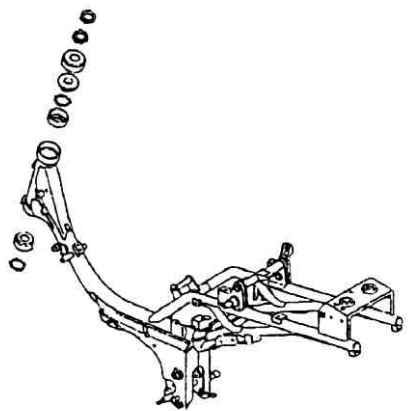
13 Oil Pump



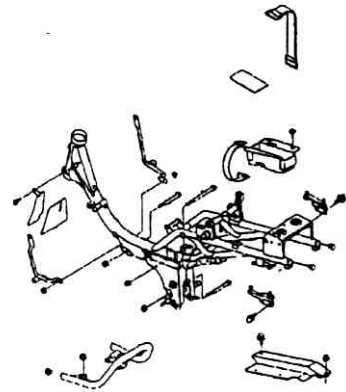
14 Generator



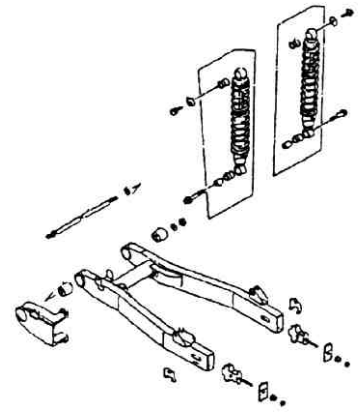
15 Ignition System



16 Frame

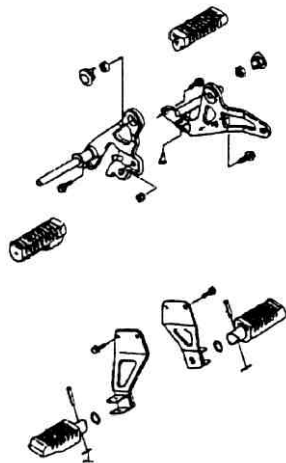


17 Frame Fittings

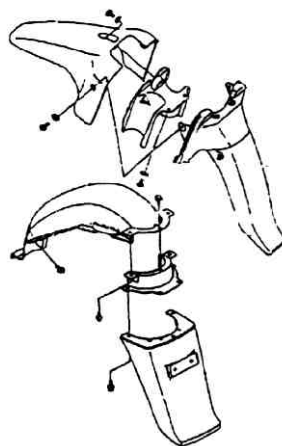


18 Swingarm/Shock Absorber

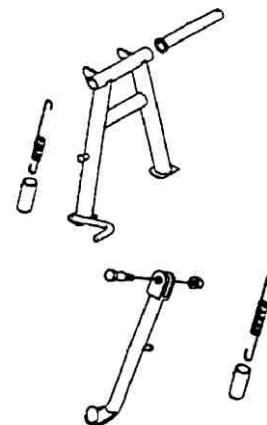




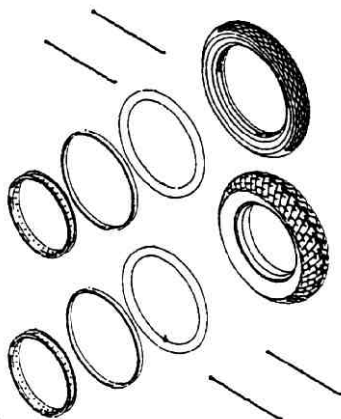
19 Footrests



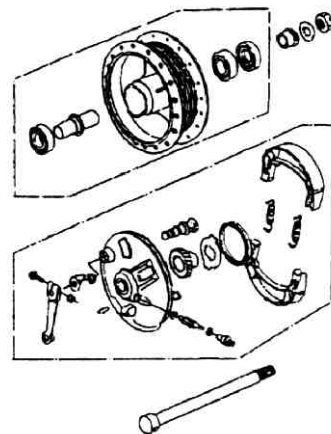
20 Fenders



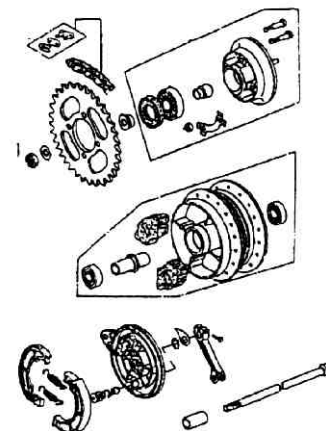
21 Stand(s)



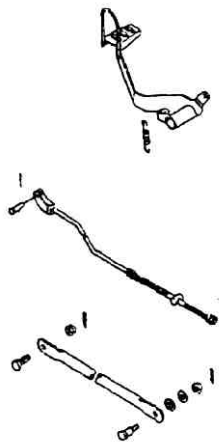
22 Tires



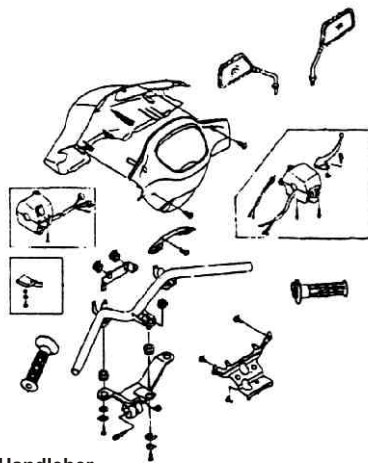
23 Front Hub



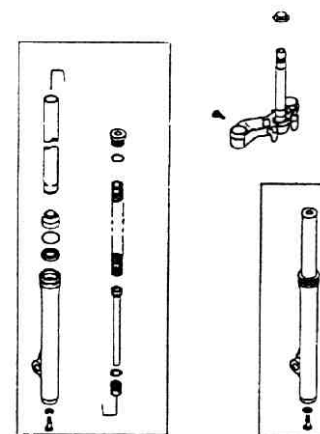
24 Rear Hub



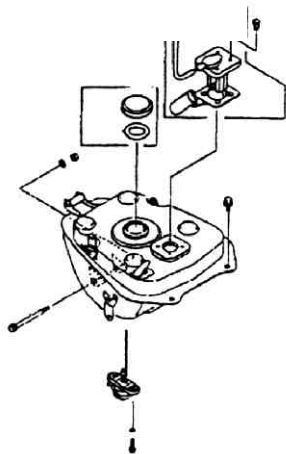
25 Brake Pedal



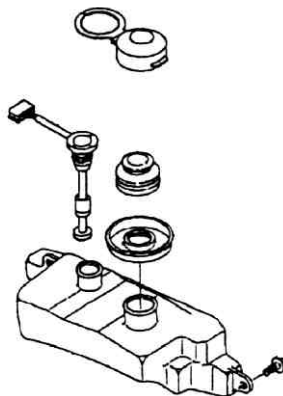
26 Handlebar



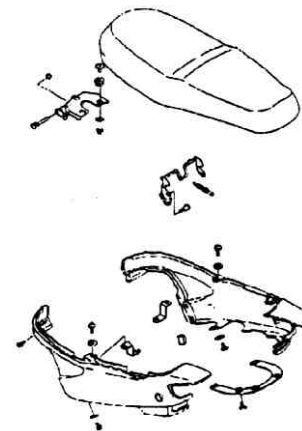
27 Front Fork



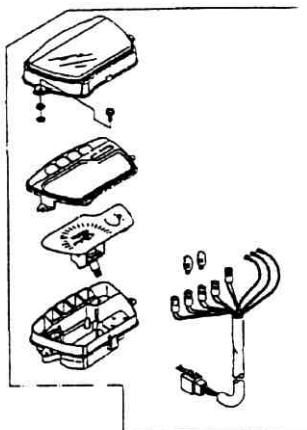
28 Fuel Tank



29 Oil Tank



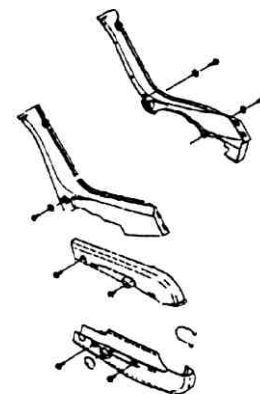
30 Seat



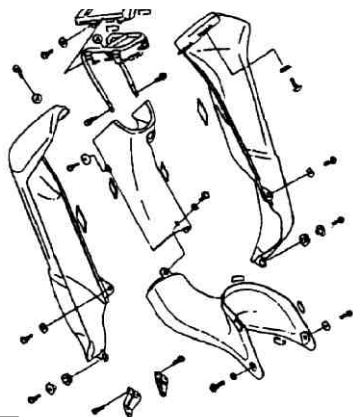
31 Meter(s)



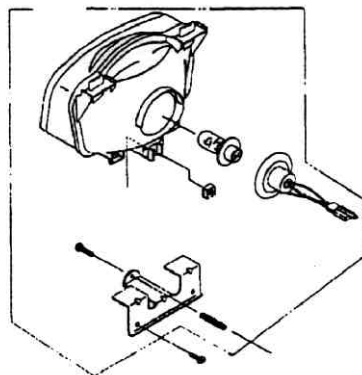
32 Cables



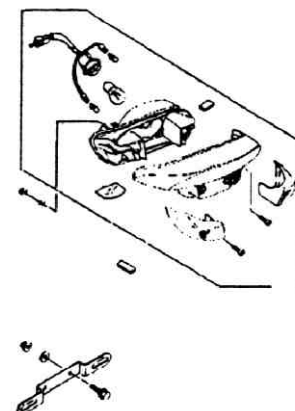
33 Side Covers/Chain Cover



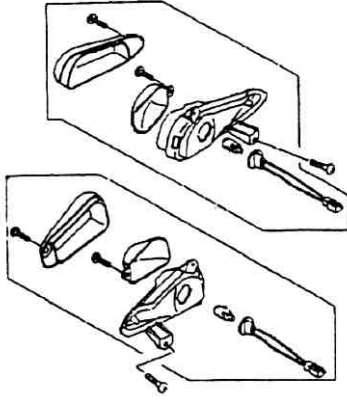
34 Leg Shield



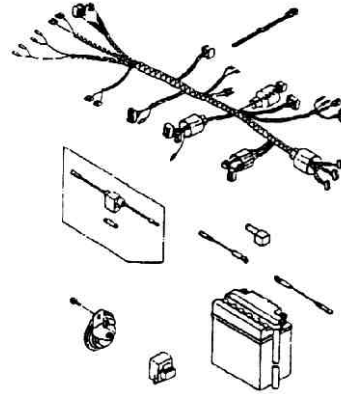
35 Headlight(s)



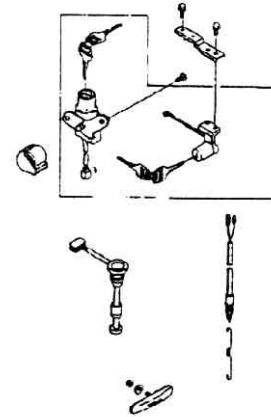
36 Taillight(s)



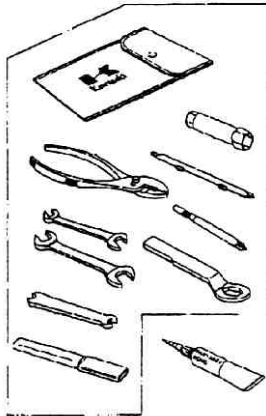
37 Turn Signals



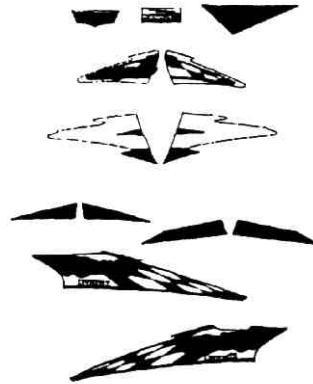
38 Chassis Electrical Equipment



39 Ignition Switch



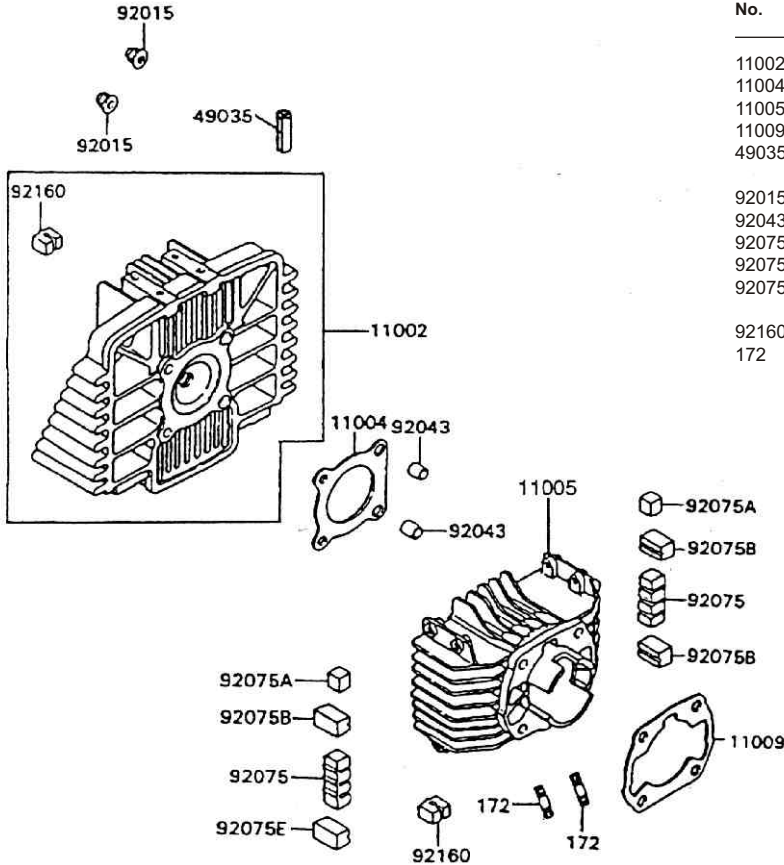
40 Owner's Tools



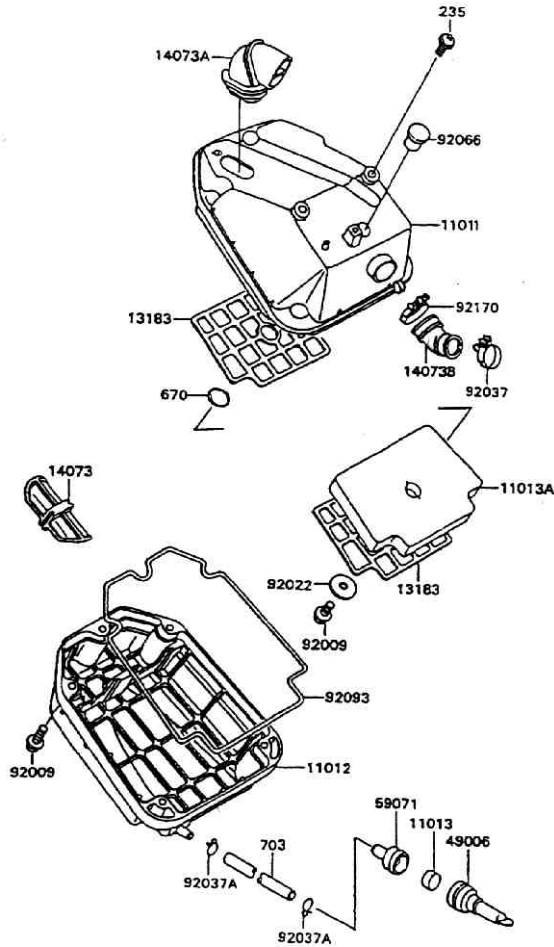
41 Label(s)



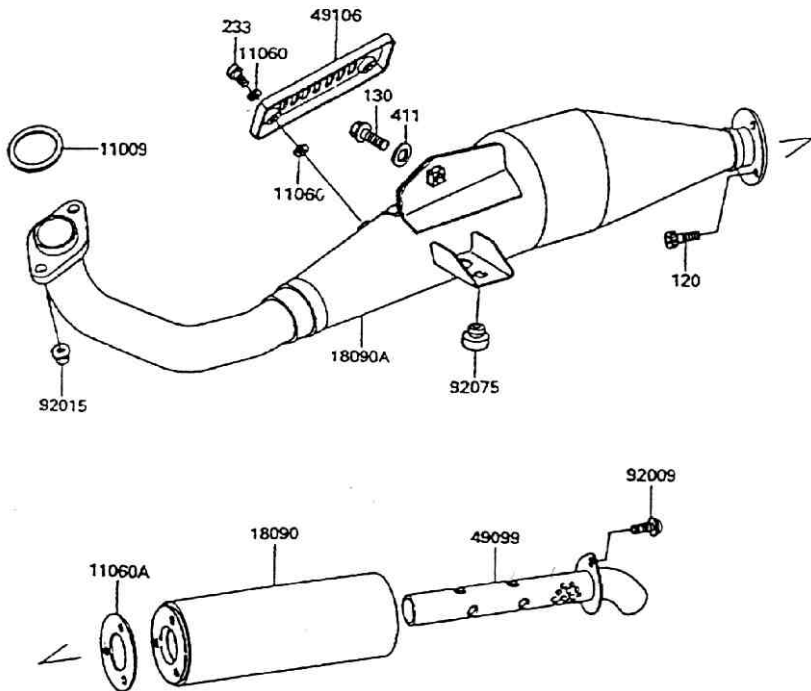
42 Carrier(s)



Ref. No.	Part No.	Description	Quantity-A#0			
			'99			
11002	11002-1289	HEAD-CYLINDER	1			
11004	11004-178	GASKETHEAD	1			
11005	11005-1780	CYLINDER-ENGINE	1			
11009	11009-1774	GASKETCYLINDER BASE	1			
49035	49035-1059	PIN-SPRING	4			
92015	92015-151	NUTCAP8MM	4			
92043	92043-1264	PIN, 8.2X10X14	2			
92075	92075-1268	DAMPER, CYLINDER	2			
92075A	92075-1368	DAMPER CYLINDER HEAD	2			
92075B	92075-1673	DAMPER	4			
92160	92160-1031	DAMPER	4			
172	172G0822	BOII-STUD, 8X22	2			

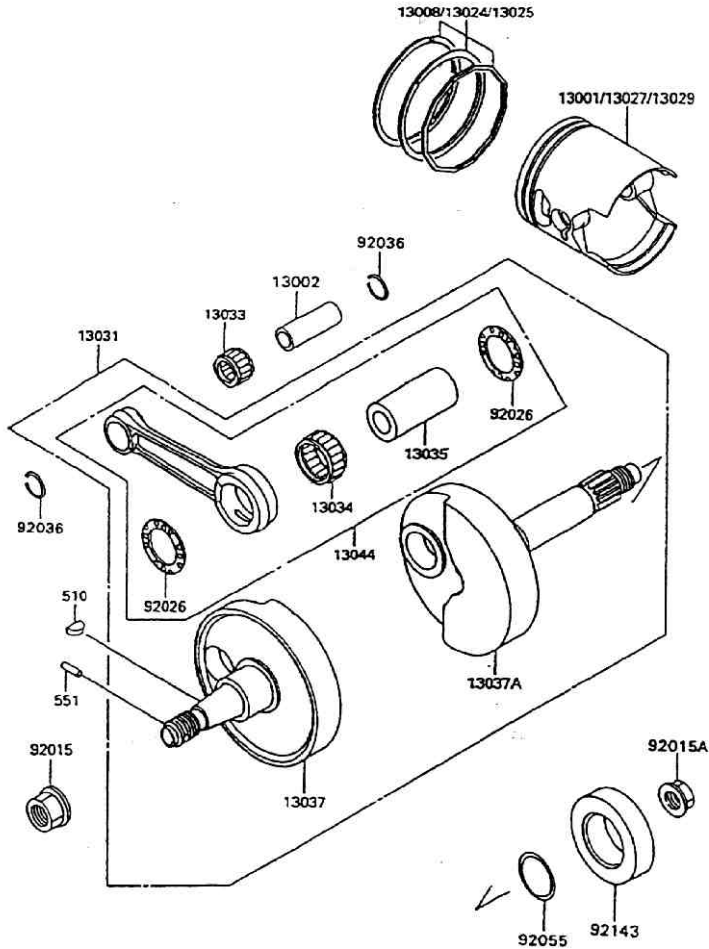


Ref. No.	Part No.	Description	Quantity-A#0			
			'99			
			A5			
11011	11011-1404	CASE-AIR FILER	1			
11012	11012-1841	CAPAIR FITER	1			
11013	11013-159	ELEMENAIR FILER	1			
11013A	11013-1213	ELEMENAIR FILER	1			
13183	13183-1979	PLAE, ELEMENT	2			
14073	14073-1493	DUCTINSIDE	1			
14073A	14073-1495	DUCTAIR INAKE	1			
14073B	14073-1620	DUCTAIR FILER	1			
49006	49006-1223	BOO,TDRAIN	1			
59071	59071-1127	JOINT,DRAIN	1			
92009	92009-1664	SCREW6X22	6			
92022	92022-1659	WASHER, 6.2X38X1.2	1			
92037	92037-1568	CLAMP39MM	1			
92037A	92170-2043	CLAMP	2			
92066	92066-1376	PLUG, DRAIN	1			
92093	92093-1324	SEAL, AIR FIER	1			
92170	92170-1477	CLAMP	1			
235	235C0614	SCREW PAN-WP-CROS, 6X14	2			
670	670B2016	O RING, 16MM	1			
703	703A07310	TUBE, DRAIN	1			



Ref. No.	Part No.	Description	Quantity-A10			
			'99			
11009	11009-1992	GASKET-EXHAUSTPIPE	1			
11060	11060-109	GASKET-6.2X1.5X1.5	4			
11060A	11060-137	GASKET	1			
18090	18090-151	BODY-COMP-MUFFLER	1			
18090A	18090-1443	BODY-COMP-MUFFLER	1			
49099	49099-1407	BAFFLE-PIPE MUFFLER	1			
49106	49106-168	GUARD	1			
92009	92009-1403	SCREW	1			
92015	92015-183	NUT-FLANGED, 8MM, BLACK	2			
92075	92075-1002	DAMPER	1			
120	120S0616	BOI-SOCKETX16, BLACK	3			
130	130G0825	BOI-FLANGED, 8X25	1			
233	233C0610	SCREW-PAN-W/6X10	2			
411	411B0800	WASHER-PLAIN, 8MM	1			

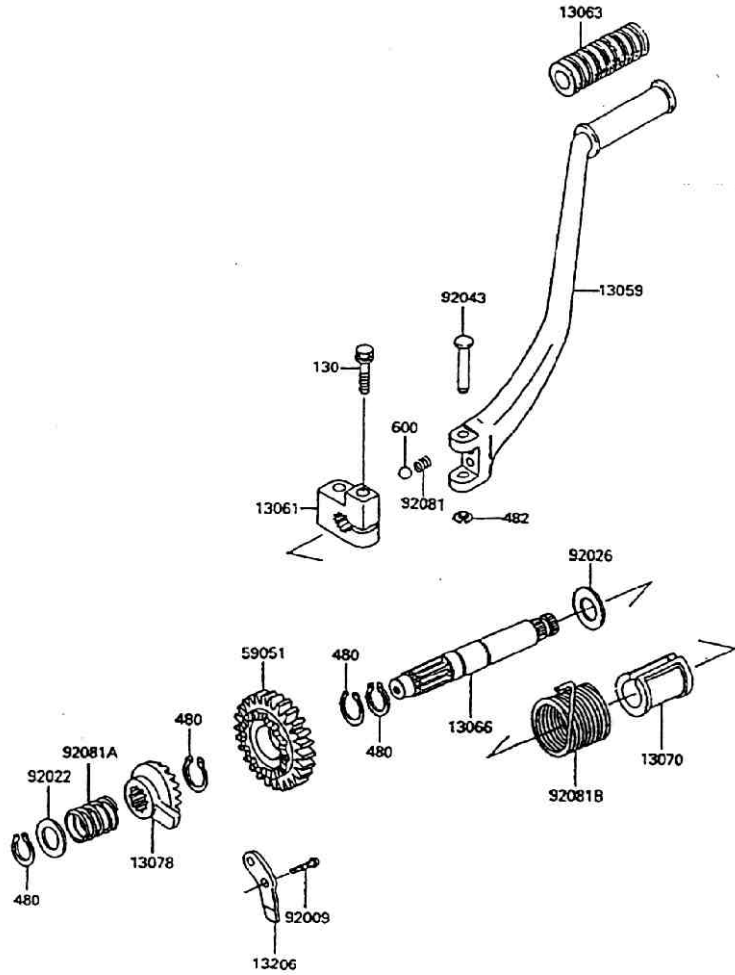




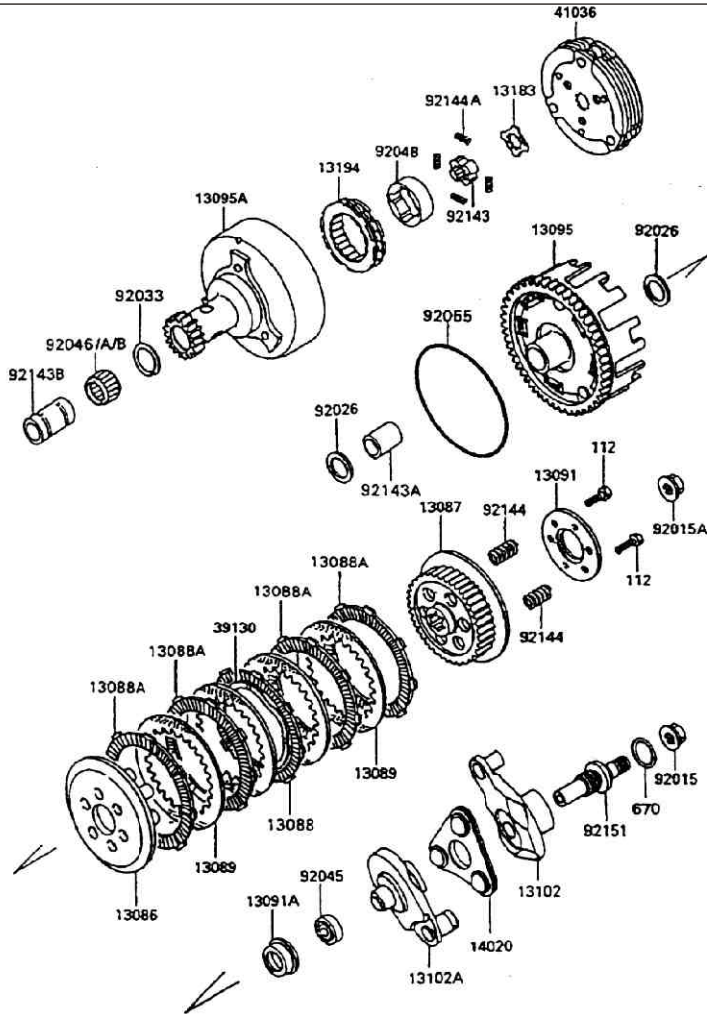
Ref. No.	Part No.	Description	Quantity-A#0			
			'99			
13001	13001-1422	PISTON-ENGINE, STD	1			
13002	13002-1077	PIN-PISTON	1			
13008	13008-140	RING-SEPISTON, STD	1			
13024	13024-1089	RING-SEPISTON LL, O/S 1.00	1			
13025	13025-112	RING-SEPISTON L, O/S 0.50	1			
13027	13027-1176	PISTON-ENGINE LL, O/S 1.00	1			
13029	13029-1222	PISTON-ENGINE L, O/S 0.50	1			
13031	13031-1376	CRANKSHAFTOMP	1			
13033	13033-1009	BEARING-SMAEND	1			
13034	13034-1082	BEARING-BIG END, 22VS2814E	1			
13035	13035-1068	PIN-CRANK	1			
13037	13037-1466	CRANKSHAFTH	1			
13037A	13037-1472	CRANKSHAFTH	1			
13044	13044-5078	SETCONNECTING ROD	1			
92015	92015-1712	NUT FLANGED, 14MM	1			
92015A	92015-1908	NUT 14MM	1			
92026	92026-1063	SPACER, 22X34.5X1.0	2			
92036	92036-007	RING-SNAPISTON PIN	2			
92055	92055-022	RING-O, 17.5X1.5	1			
92143	92143-1665	COLLAR	1			
510	510A3200	KEYWOODRUFF	1			
551	551A0312	PIN-DOWEL, 3X12	1			



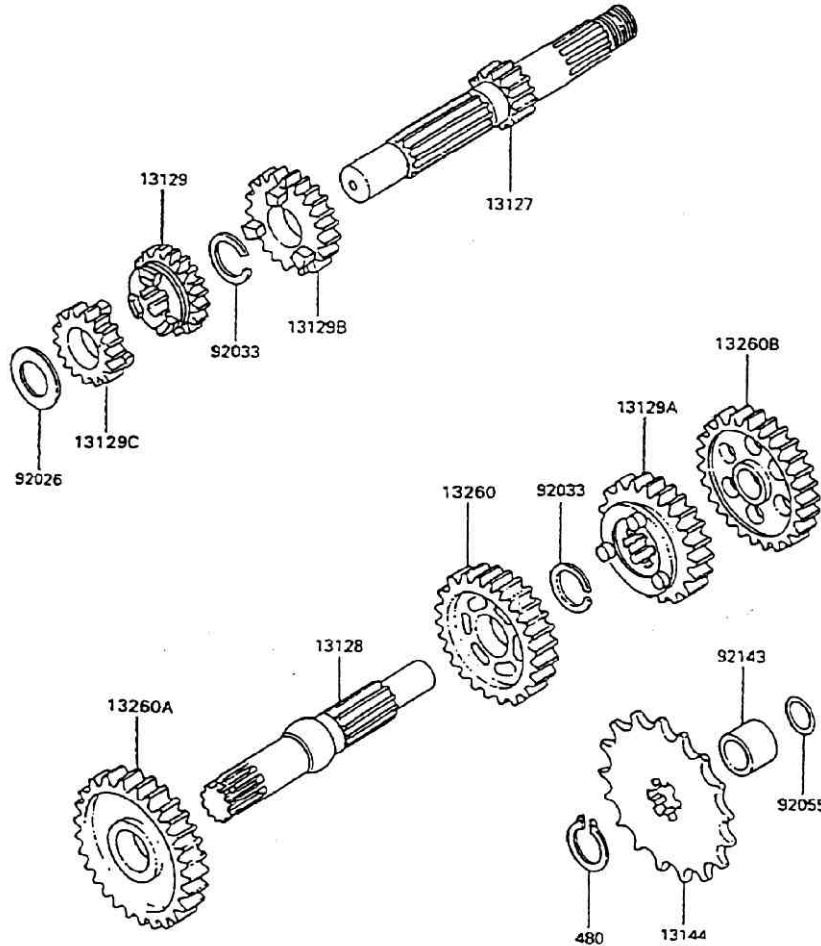
Kickstarter Mechanism



Ref. No.	Part No.	Description	Quantity-A10			
			'99			
13059	13059-153	LEVER-KICK	1			
13061	13061-1435	BOSS, KICK PEDAL	1			
13063	13063-002	DAMPER, PEDAL	1			
13066	13066-1070	SHAFT, KICK	1			
13070	13070-1035	GUIDE, KICK SHAFT	1			
13078	13078-1057	RATCHET	1			
13206	13206-1058	GUIDE-KICK	1			
59051	59051-1267	GUIDE-SPUR, KICK	1			
92009	92009-104	SCREWTAPPING	2			
92022	92022-315	WASHER, 16.8X22X0.5	1			
92026	92026-141	SPACER, 16X30X1.0	1			
92043	92043-1050	PIN, 6X36	1			
92081	92081-020	SPRING, KICK PEDAL	2			
92081A	92081-122	SPRING, RATCHET	1			
92081B	92081-1276	SPRING, KICK RATCHET	1			
130	130S0630	BOIT-FLANGED, 6X30	1			
480	480J1600	CIRCLIP-TYPE-C, 16MM	4			
482	482L5000	CIRCLIP-TYPE-E, 5MM	1			
600	600A0800	BALL-STEEL, 1/4"	2			

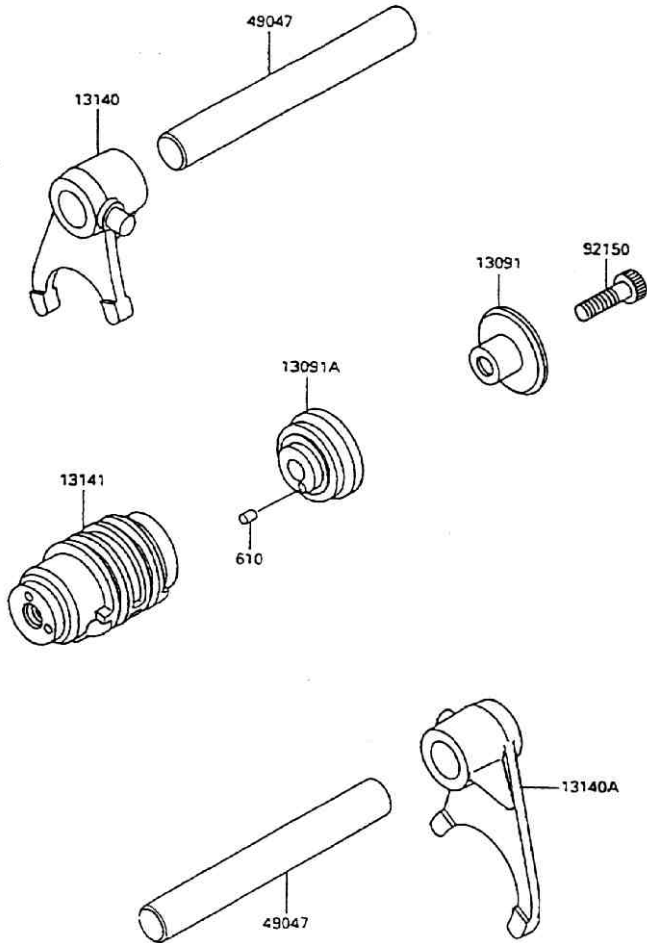


Ref. No.	Part No.	Description	Quantity-A#0			
			'99			
13086	13086-1065	WHEEL-CLUTCH	1			
13087	13087-1151	HUB-CLUTCH	1			
13088	13088-1110	PLATE-FRICTION	1			
13088A	13088-1111	PLATE-FRICTION	4			
13089	13089-1087	PLATE-CLUTCH	4			
13091	13091-1782	HOLDER-CLUTCH	1			
13091A	13091-1787	HOLDER	1			
13095	13095-1283	HOUSING-COMP-CLUTCH	1			
13095A	13095-1309	HOUSING-COMP-CLUTCH	1			
13183	13183-1480	PLATE	1			
13102	13102-132	RELEASE-COMP-CLUTCH	1			
13102A	13102-133	RELEASE-COMP-CLUTCH	1			
13194	13194-1092	CLUTCH-ON&W	1			
14020	14020-1100	RETAINER	1			
39130	39130-1070	SPRING-LEA&LUTCH	1			
41036	41036-1153	HUB-ASS&LUTCH	1			
92015	92015-1183	NUT 8MM	1			
92015A	92015-1347	NUT FLANGED, 14MM	1			
92026	92026-1415	SPACER, 17.3X30X2.0	1			
92033	92033-1240	RING-SNAP	1			
92045	92045-123	BEARING-BALL, #628	1			
92046	92046-1223	BEARING-NEEDLE, BLUE	2			
92046A	92046-1224	BEARING-NEEDLE, RED	2			
92046B	92046-1225	BEARING-NEEDLE, WHITE	2			
92048	92048-1074	RACE	1			
92055	92055-052	RING-O, 91.6X3.4	1			
92143	92143-1661	COLLAR	1			
92143A	92143-1663	COLLAR	1			
92143B	92143-1696	COLLAR	1			
92144	92144-1388	SPRING, CLUTCH	6			
92144A	92144-1556	SPRING	4			
92151	92151-1069	BOIT	1			
112	112G0520	BOIT-UPSET	6			
670	670B1508	RING-O	1			



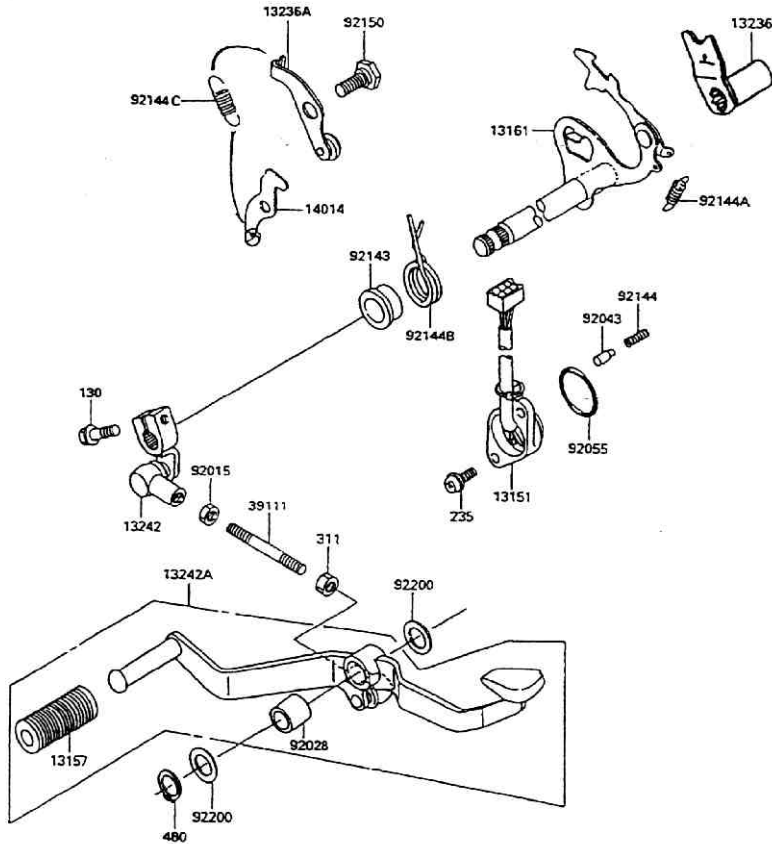
Ref. No.	Part No.	Description	Quantity-A110			
			'99			
13127	13127-1210	SHAFT TRANSMISSION INPUT	1			
13128	13128-1123	SHAFT TRANSMISSION OUTPUT	1			
13129	13129-1614	GEAR, INPUT, 22T	1			
13129A	13129-1619	GEAR, INPUT, 31T	1			
13129B	13129-1641	GEAR, INPUT, 25T	1			
13129C	13129-1929	GEAR, INPUT, 18T	1			
13144	13144-1145	SPROCKET OUTPUT, 15T	1			
13260	13260-1002	GEAR, OUTPUT, 34T	1			
13260A	13260-1045	GEAR, OUTPUT, 38T	1			
13260B	13260-1322	GEAR, OUTPUT, 44T	1			
92026	92026-1091	SPACER	1			
92033	92033-1060	RING-O, 7MM	2			
92055	92055-1235	RING-O, 16.8MM	1			
92143	92143-1193	COLLAR	1			
480	480J1700	CIRCLIP-TYPE-C, 17MM	1			

Gear Change Drum/Shift Fork(s)

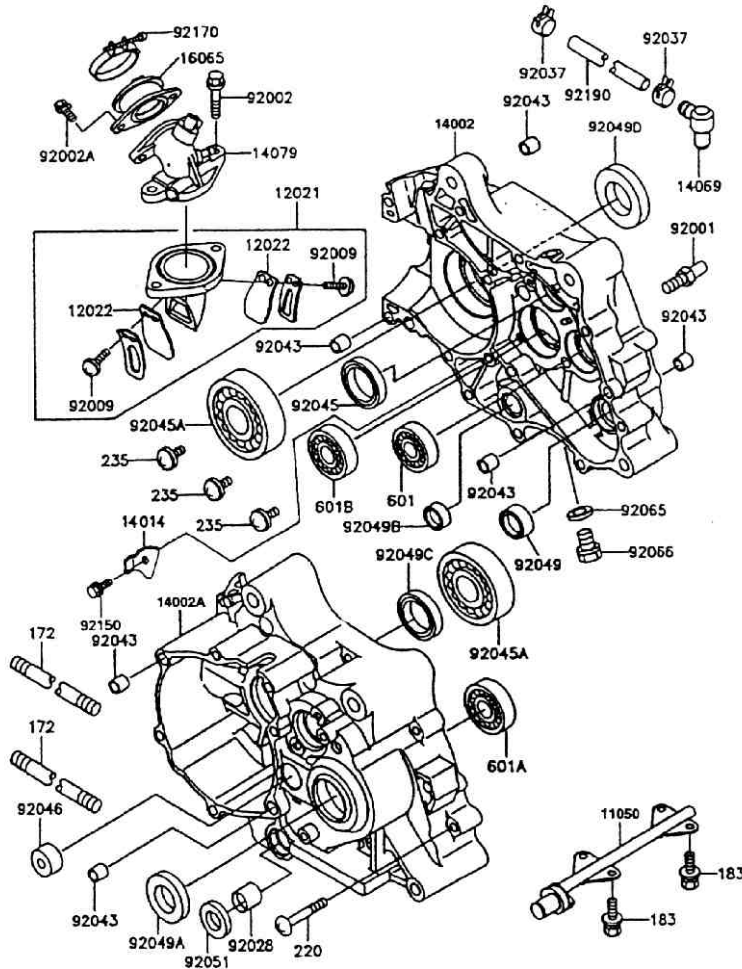


Ref. No.	Part No.	Description	Quantity-A#0			
			'99			
13091	13091-1710	HOLDER, CHANGED	1			
13091A	13091-1757	HOLDER, CHANGE DRUM	1			
13140	13140-118	FORK-SHIFT	1			
13140A	13140-119	FORK-SHIFT	1			
13141	13141-147	DRUM-CHANGE	1			
49047	49047-1096	ROD-SHIFT 5.9X10X72	2			
92150	92150-1433	BOIT, SOCKET 6X30	1			
610	610A0406	ROLLER, 4X6	1			

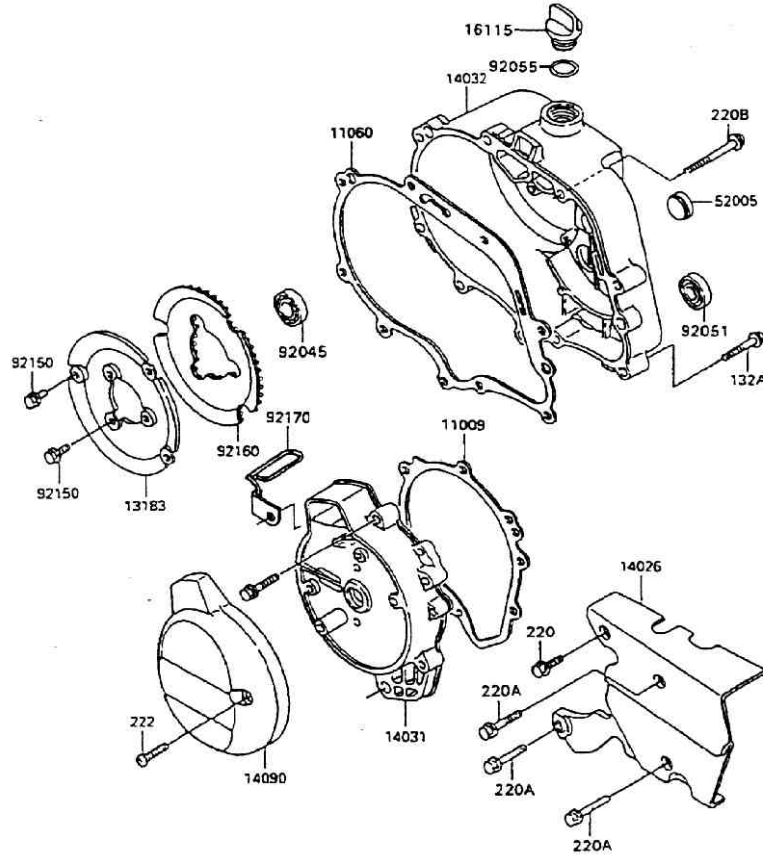
Gear Change Mechanism



Ref. No.	Part No.	Description	Quantity-AH0			
			'99			
13151	13151-1070	SWITCH-COMP-NEUTRAL	1			
13157	13157-004	DAMPER, CHANGE PEDAL	1			
13161	13161-1225	LEVER-COMP-CHANGE	1			
13236	13236-1280	LEVER-COMP	1			
13236A	13236-1281	LEVER-COMP	1			
13242	13242-1297	LEVER-ASS-CHANGE, LINK	1			
13242A	13242-A002	LEVER-ASS-CHANGE, PEDAL	1			
14014	14014-1127	PLATE-POSITION	1			
39111	39111-1086	ROD-TIE	1			
92015	92015-1178	NUT	1			
92028	92028-1652	BUSHING	1			
92043	92043-1385	PIN	1			
92055	92055-091	RING-O	1			
92143	92143-1298	COLLAR	1			
92144	92144-1245	SPRING	1			
92144A	92144-1339	SPRING	1			
92144B	92144-1340	SPRING	1			
92144C	92144-1967	SPRING	1			
92150	92150-1450	BOI, CHANGE DRUM LEVER	1			
92200	92200-114	WASHER, 18.3X28X1.0	2			
130	130S0620	BOI-FLANGED, 6X20, BLACK	1			
235	235B0514	SCREW-PAN-WP-CROS	2			
311	311J0600	NUTHEX	1			
480	480J1800	CIRCLIP-TYPE-C, 18MM	1			

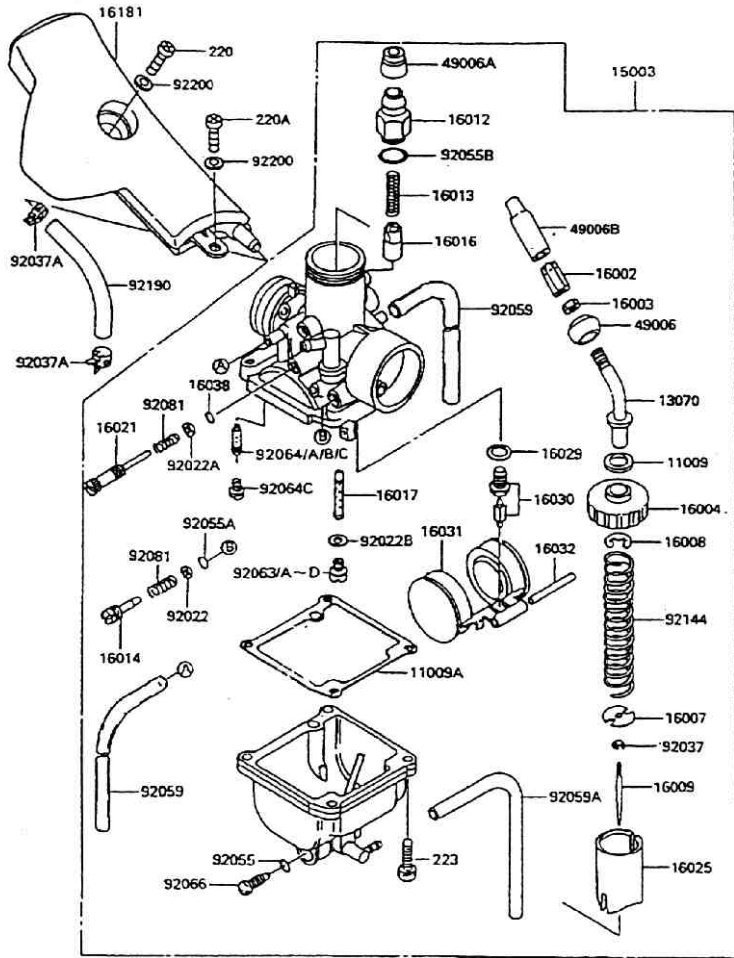


Ref. No.	Part No.	Description	Quantity-A#0			
			'99			
11050	11050-A028	BRACKET	1			
12021	12021-1076	VALVE-ASSY REED	1			
12022	12022-1062	VALVE-REED	2			
14002	14002-1677	CRANKCASE, RH	1			
14002A	14002-1724	CRANKCASE, LH	1			
14014	14014-122	PLATE-POSITION	1			
14069	14069-003	BREATHER	1			
14079	14079-102	HOLDER-ASSY CARBURTOR	1			
16065	16065-1295	HOLDER-CARBURJET	1			
92001	92001-1455	BOIT, RETURN SPRING	1			
92002	92002-1105	BOIT, 6X28	2			
92002A	92002-1570	BOIT, 6X16	2			
92009	92009-1014	SCREW REED VALVE	4			
92028	92028-1526	BUSHING	2			
92037	92037-1601	CLAMP	2			
92043	92043-1263	PIN, 6.2X8X14	6			
92045	92045-171	BEARING-BALL, 6804	1			
92045A	92045-1302	BEARING-BALL	2			
92046	92046-1034	BEARING-NEEDLE, BK1312NTN	1			
92049	92049-002	SEAL-OIL, SB16244	1			
92049A	92049-1048	SEAL-OIL, SC22325	1			
92049B	92049-1398	SEAL-OIL, VB13193	1			
92049C	92049-1410	SEAL-OIL	1			
92049D	92049-1422	SEAL-OIL	1			
92051	92051-005	SEAL-OIL, TB13225.5	1			
92065	92065-058	GASKET 10.5X16X1, DRAIN PLUG	1			
92066	92066-1370	PLUG	1			
92150	92150-180	BOIT	1			
92170	92170-1508	CLAMP	1			
92190	92190-1617	TUBE	1			
172	172G08120	BOIT-STUD, 8X120	4			
183	183B0818	BOIT-UPSET WS-SMALL, 8X18	4			
220	220B0635	SCREW PAN-CROS, 6X35	11			
235	235B0510	SCREW PAN-WP-CROS, 5X10	2			
601	601A6201	BEARING-BALL				
601A	601A6203	BEARING-BALL, #6203	1			
601B	601A6203U	BEARING-BALL, #6203U	1			



Ref. No.	Part No.	Description	Quantity-A110			
			'99			
11009	11009-1722	GASKETGENERATOR COVER	1			
11060	11060-1694	GASKETCLUTCH COVER	1			
13183	13183-1728	PLATE	1			
14026	14026-A007	COVER-CHAIN	1			
14031	14031-A01	COVER-GENERATOR	1			
14032	14032-A017	COVER-CLUTCH	1			
14090	14090-A028	COVER, PUMP	1			
16115	16115-1053	CAP-OIL	1			
52005	52005-1055	GAUGE, OILLEVEL	1			
92045	92045-1294	BEARING-BALL, 6001RUSH2	1			
92051	92051-003	SEAL-OIL, TB16267	1			
92055	92055-012	RING	1			
92150	92150-1406	BOIT, 5X8	6			
92160	92160-1312	DAMPER	1			
92170	92170-1573	CLAMP	1			
220	220C0620	SCREW PAN-CROS, 6X20, BLACK	1			
220A	220C0635	SCREW PAN-CROS, 6X35, BLACK	16			
220B	220C0660	SCREW PAN-CROS, 6X60	1			
222	222C0530	SCREW SK-RD-CROS, 5X30	2			



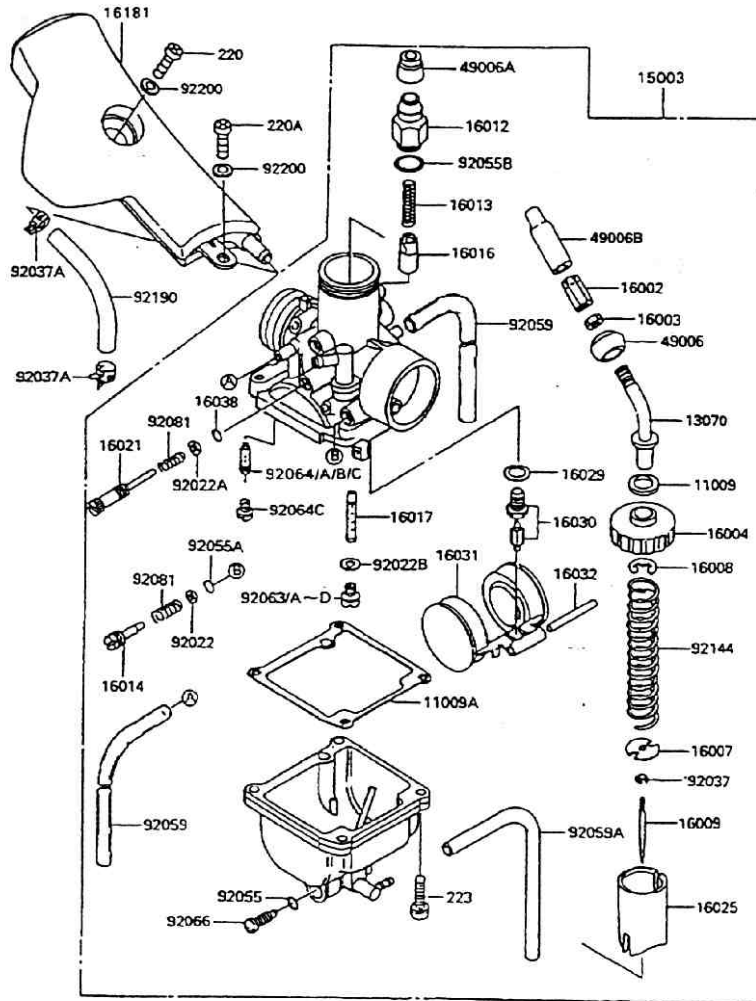


Ref. No.	Part No.	Description	Quantity-A#0			
			'99			
11009	11009-1074	GASKET CABLE GUIDE	1			
11009A	11009-1250	GASKET FLOW CHAMBER	1			
13070	13070-1068	GUIDE, THROTTLE CABLE	1			
15003	15003-1558	CARBURETOR ASSY	1			
16002	16002-004	ADJUSTER-CABLE	1			
16003	16003-004	NUT CABLE ADJUSTOR	1			
16004	16004-1062	CAP-CHAMBER, MIXING	1			
16007	16007-1044	SEAT-SPRING	1			
16008	16008-011	CLAMP CABLE GUIDE	1			
16009	16009-1641	NEEDLE-JET DV01	1			
16012	16012-1058	CAP-STARTER PLUNGER	1			
16013	16013-005	SPRING, STARTER PLUNGER	1			
16014	16014-1079	SCREW PLUG AIR	1			
16016	16016-002	PLUNGER, STARTER	1			
16017	16017-1360	JET-NEEDLE	1			
16021	16021-162	SCREW THROTTLE OP	1			
16025	16025-181	VALVE-THROTTLE, CA2.0	1			
16029	16029-002	GASKET FLOW VALVE SEA	1			
16030	16030-1065	VALVE-FLOW #1.5	1			
16031	16031-1068	FLOW	1			
16032	92043-148	PIN, FLOW	1			
16038	16038-022	GASKET O-RING	1			
16181	16181-1066	TANK-RESONATOR	1			
49006	11012-1389	BOOT ADJUSTER, CABLE	1			
49006A	49006-1203	BOOT STARTER PLUNGER	1			
49006B	49006-1084	BOOT GRIDE, THROTTLE CABLE	1			
92022	92022-187	WASHER, ADJUSTOR	1			
92022A	92022-1698	WASHER, THROTTLE SCREW	1			
92022B	92022-1938	WASHER	1			
92037	92037-1272	CLAMP	1			
92037A	92037-1678	CLAMP	2			
92055	92055-044	RING-O	1			
92055A	92055-1078	RING-O, ADJUSTOR	1			
92055B	92055-1417	RING-O, PLUNGER	1			
92059	92059-1395	TUBE, 3X5X160	2			
92059A	92059-1396	TUBE, 3X5X270	1			
92063	92063-068	JET-MAIN, #92.5 R	1			
	(RACING USE ONLY)					
92063A	92063-094	JET-MAIN, #87.5 R*	1			} OPCIONALES)
92063B	92063-1029	JET-MAIN, #90 R	1			
	(RACING USE ONLY)					
92063C	92063-1322	JET-MAIN, #82.5 R	1			
	(RACING USE ONLY)					



Carburetor(2/2)

MAGIC 110



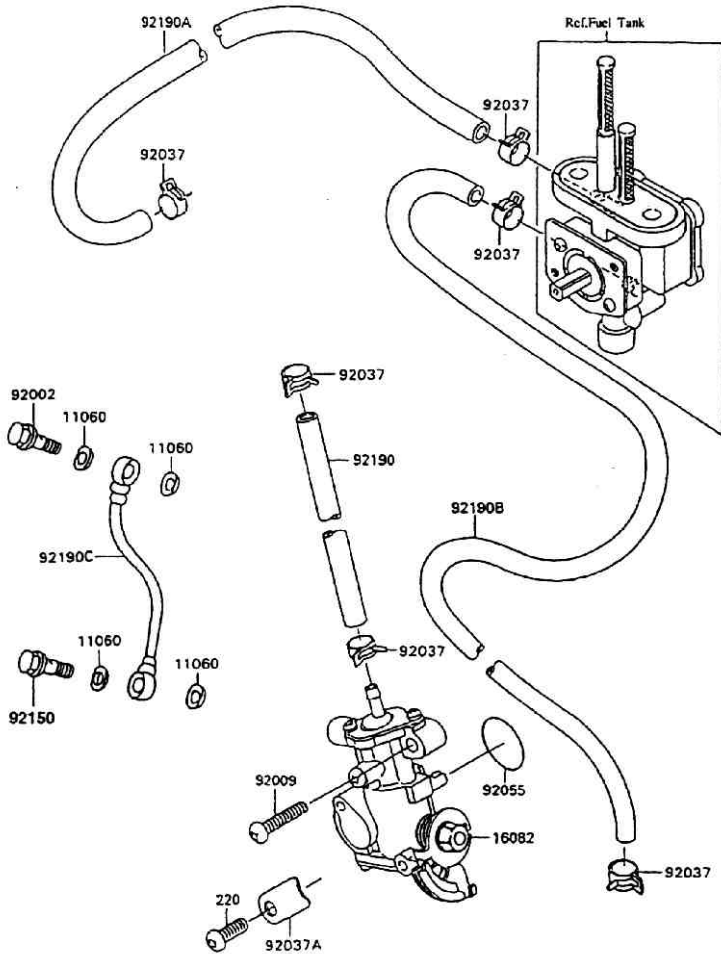
Ref. No.	Part No.	Description	Quantity-A#			
			'99			
92063D	92063-1323	JET-MAIN, #85 R (RACING USE $\varnothing$ NL)	1	(STD)		
92064	92064-020	JET-PILO#17.5	1			
92064A	92064-032	JET-PILO#25*	1			
92064B	92064-040	JET-PILO#22.5 (RACING USE $\varnothing$ NL)	1			
92064C	92064-1043	JET-PILO#20	1	(STD)		
92066	92066-1064	PLUG, DRAIN	1			
92081	92081-153	SPRING, SIP SCREW	2			
92144	92144-1271	SPRING, THROTTLE	1			
92190	92190-1392	TUBE	1			
92200	92200-150	WASHER	2			
220	220C0614	SCREWPAN-CROS, 6X14, BLACK	1			
220A	220C0616	SCREWPAN-CROS, 6X16, BLACK	1			
223	223B0416	SCREWPAN-WS-CROS, 4X16	4			

Group No.

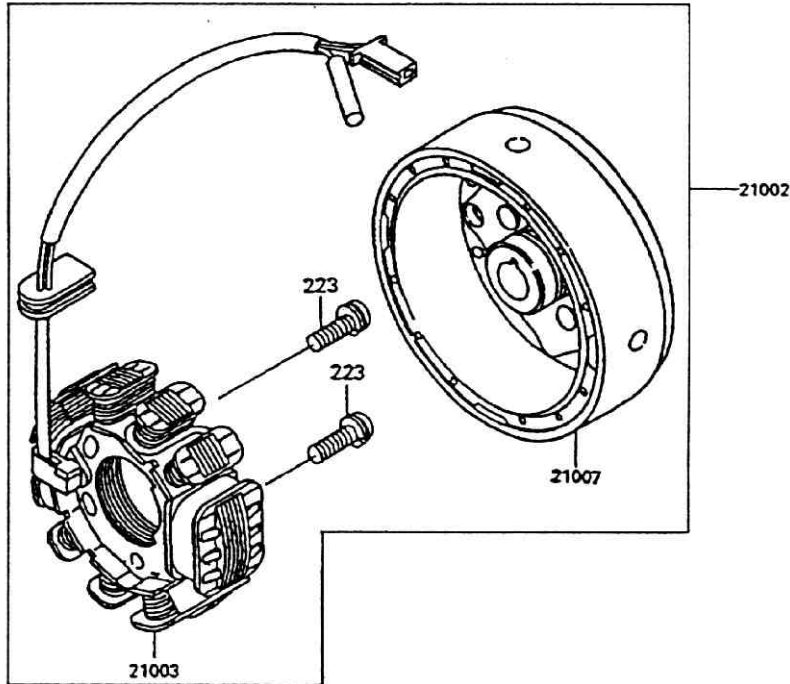
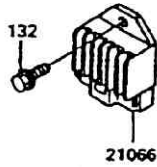
13

Oil Pump

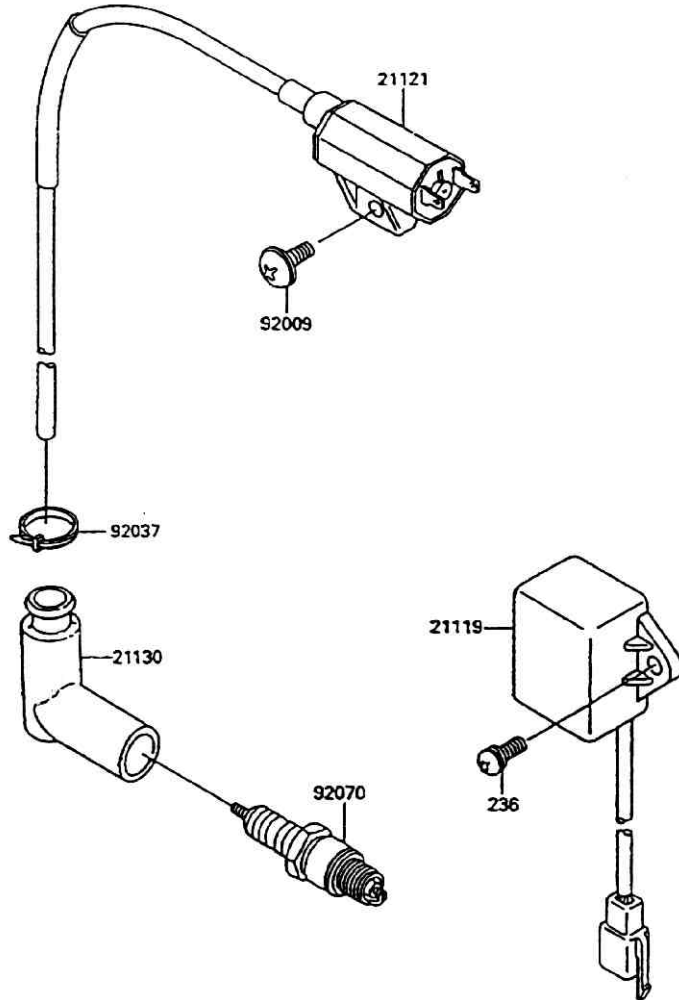
MAGIC 110



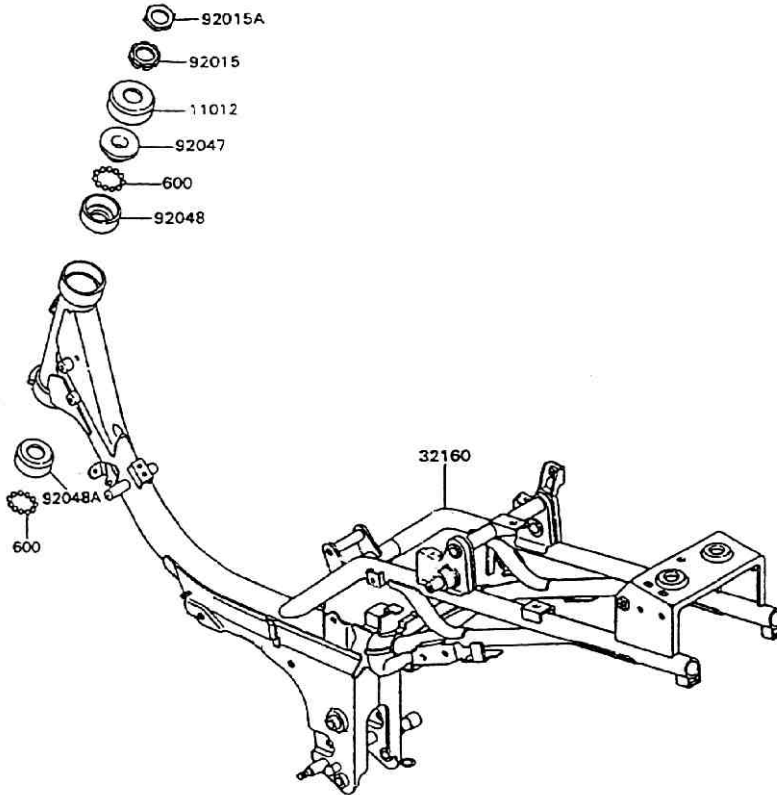
Ref. No.	Part No.	Description	Quantity-A#0		
			'99		
11060	11060-1634	GASKET	4		
16082	16082-1135	PUMP-ASSY OIL	1		
92002	92002-1473	BOI, BANJO, 6X19	1		
92009	92009-1522	SCREW 5X20	1		
92037	92037-1601	CLAMP	6		
92037A	92037-187	CLAMP	1		
92055	92055-055	RING-O, 19.5X1.5	1		
92150	92150-1982	BOI, BANJO, L=16	1		
92190	92190-A006	TUBE, 4.5X9.5X750	1		
92190A	92190-1225	TUBE, 4.5X9.5X385	1		
92190B	92190-1393	TUBE, 5X9X390	1		
92190C	92190-1504	TUBE, OIL	1		
220	220B0612	SCREW PAN-CROS, 6X12	1		



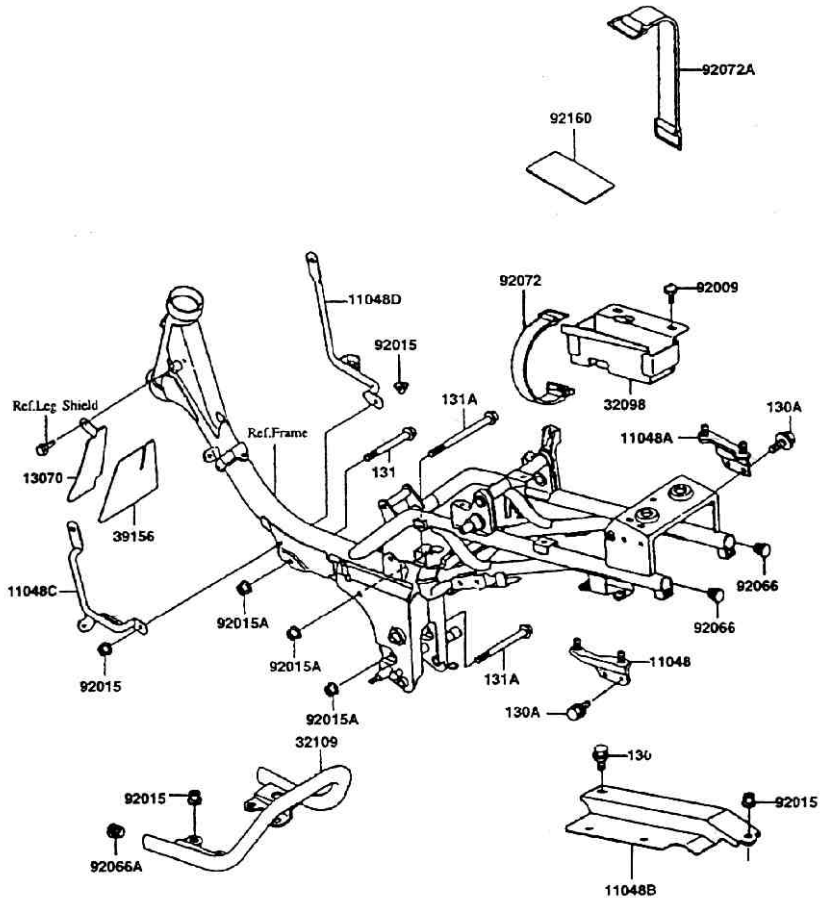
Ref. No.	Part No.	Description	Quantity-A#0			
			'99			
21002	21002-1328	MAGNEØ	1			
21003	21003-1284	STATOR	1			
21007	21007-1303	ROTOR	1			
21066	21066-1086	REGULATOR VOLTAGE	1			
132	132G0614	BOIT-FLANGED-SMALL, 6X14	1			
223	223B0620	SCREW PAN-WS-CROS, 6X16	2			



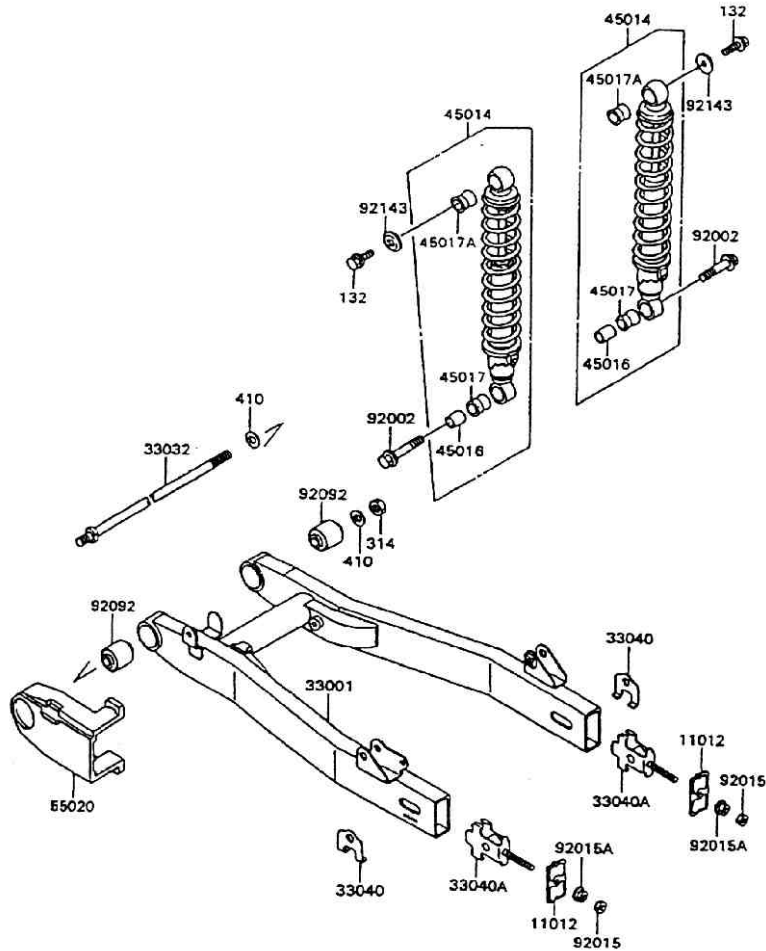
Ref. No.	Part No.	Description	Quantity-A#0			
			'99			
			A5			
21119	21119-1442	IGNITER	1			
21121	21121-1229	COIL-IGNITION	1			
21130	21130-1062	CAP-SPARK PLUG	1			
92009	92009-1694	SCREW 6X16	1 (STD)			
92037	92037-173	CLAMP	1 (OPCIONAL)			
92070	92070-1263	PLUG-SPARK, BP8HS(NGK)	1			
	92070-1202	PLUG-SPARK, BP7HS(NGK)	1			
236	236D0616	SCREW PAN-WSP-CROS	1			



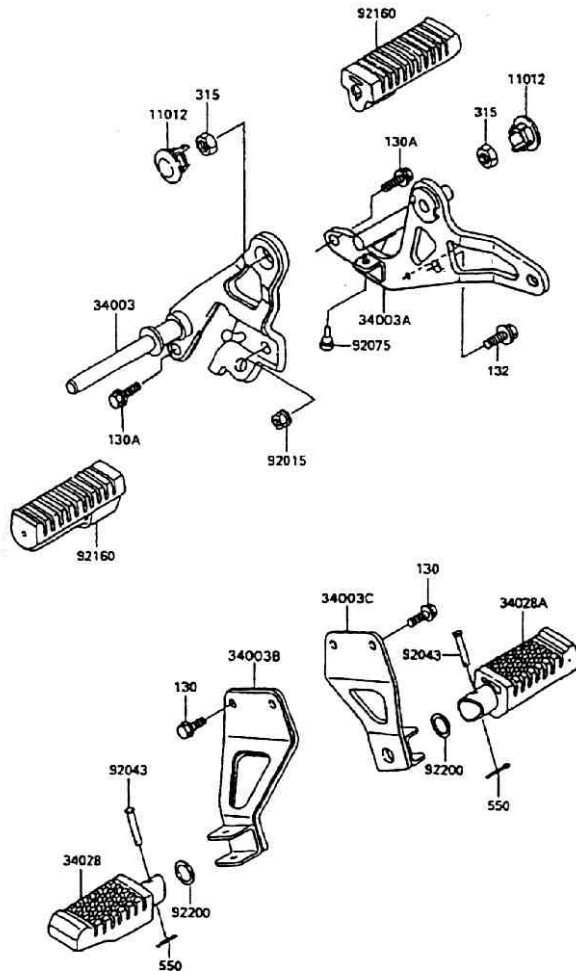
Ref. No.	Part No.	Description	Quantity-A110			
			'99			
11012	11012-1861	CAP STEERING STEM	1			
32160	32160-A027	FRAME-COMP	1			
92015	92015-1900	NUT STEERING STEM LOCK, 30MM	1			
92015A	92015-1901	NUT 30MM	1			
92047	92047-011	RACE, STEERING STEM BEARING	1			
92048	92048-006	RACE, STEERING STEM BEARING	1			
92048A	92048-008	RACE, STEERING STEM BEARING	1			
600	600A0800	BALL-STEEL, 1/4*	39			



Ref. No.	Part No.	Description	Quantity-A#0			
			'99			
11048	11048-1054	BRACKET LH	1			
11048A	11048-1055	BRACKET RH	1			
11048B	11048-1844	BRACKET	1			
11048C	11048-1898	BRACKET SIDE COVER, LH	1			
11048D	11048-1899	BRACKET SIDE COVER, RH	1			
13270	13270-1095	PLATE, AIR CLEANER	1			
32098	32098-117	CASE HOLE	1			
32109	32109-A012	GRIP-FRAME	1			
39156	39156-1378	PAD, AIR CLEANER	1			
92009	92009-1661	SCREW	3			
92015	92015-1233	NUT FLANGED, 6MM	9			
92015A	92015-1406	NUT FLANGED, 8MM	3			
92066	92066-1301	PLUG	2			
92066A	92066-1364	PLUG	2			
92072	92072-039	BAND HOLE	1			
92072A	92072-045	BAND, L=90	1			
92160	92160-1292	DAMPER	1			
130	130J0610	BOLT FLANGED, 6X10	1			
130A	130J0612	BOLT FLANGED, 6X12	4			
131	131G0875	BOLT FLANGED, 8X75	1			
131A	131G08105	BOLT FLANGED, 8X10.5	2			

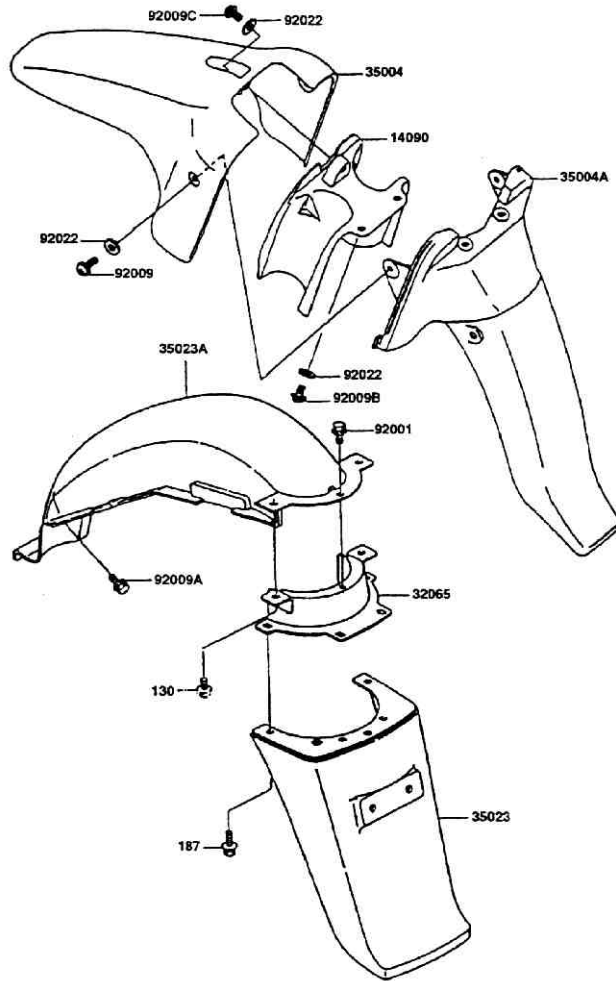


Ref. No.	Part No.	Description	Quantity-A#			
			'99			
11012	11012-1789	CAPCHAIN ADJUSTER	2			
33001	33001-A018	ARM-COMP-SWING	1			
33032	33032-166	SHAF-SWING ARM	1			
33040	33040-1057	ADJUSTER-CHAIN	2			
33040A	33040-120	ADJUSTER-CHAIN, INNER	2			
45014	45014-1559	SHOCKABSORBER	2			
45016	45016-008	COLLAR, SHOCKABSORBER	2			
45017	45017-012	DAMPER, SHOCKABSORBER	2			
45017A	45017-015	DAMPER, SHOCKABSORBER	2			
55020	55020-A026	GUARD, CHAIN	1			
92002	92002-1829	BOI, FLANGED, 10X35	2			
92015	92015-1364	NUT 8MM	2			
92015A	92015-1406	NUT FLANGED, 8MM	2			
92092	92092-005	BUSHING-RUBBER	2			
92143	92143-A012	COLLAR	2			
132	132E0616	BOI-FLANGED-SMALL	2			
314	314B1200	NUTHEX-FINE	1			
410	410F1200	WASHER-PLAN-SMALL, 12MM, BLACK2				



Ref. No.	Part No.	Description	Quantity-A#0			
			'99			
11012	11012-1998	CAP	2			
34003	34003-A018	HOLDER-STEPRR, RH	1			
34003A	34003-A019	HOLDER-STEPRR, LH	1			
34003B	34003-A020	HOLDER-STEPRR, LH	1			
34003C	34003-A021	HOLDER-STEPRR, RH	1			
34028	34028-1349	STEPRR, LH	1			
34028A	34028-1350	STEPRR, RH	1			
92015	92015-180	NUT-FLANGED, 10MM	1			
92043	92043-1464	PIN, 6X28	2			
92075	92075-1808	DAMPER	1			
92160	92160-1660	DAMPER, STEP	2			
92200	92200-120	WASHER, 19.5X28X2.3	2			
130	130B0818	BOI-FLNGED, 8X18	4			
130A	130G0820	BOI-FLANGED, 8X20	2			
132	132E0820	BOI-FLANGED-SMALL, 8X20	1			
315	315G1200	NUTHEX-FINE	2			
550	550D2015	PIN-COTTER, 2.0X15	2			





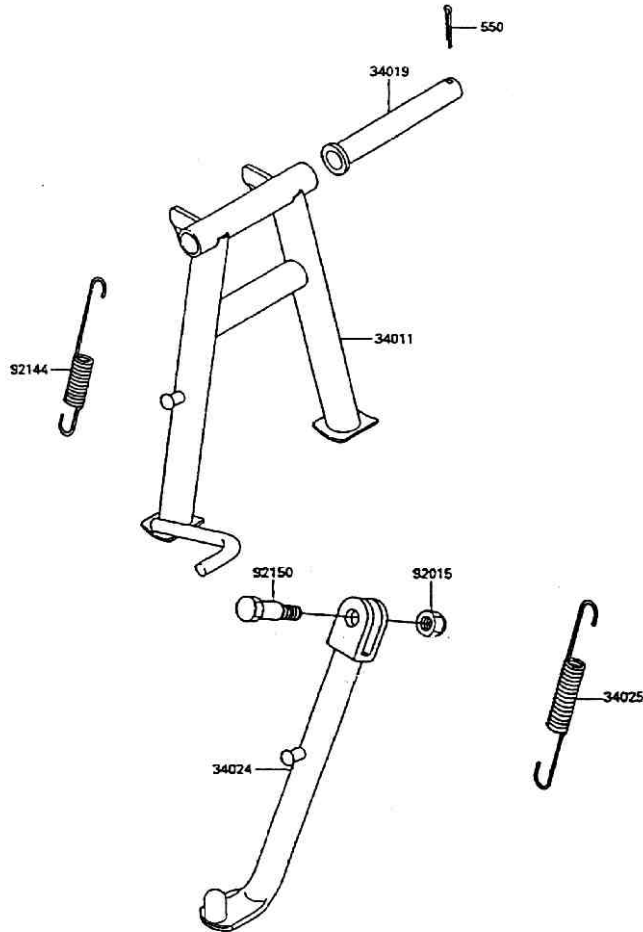
Ref. No.	Part No.	Description	Quantity-A10			
			'99			
14090	14090-1813	COVER-FENDER-LOW	1			
32065	32065-1275	BRACKET-FENDER, RR	1			
35004	35004-1354-NP	FENDER-FRONT	1			(SIN PIN)
	35004-A702	FENDER-FRONT BLUE	1			
	35004-A703	FENDER-FRONT GREEN	1			
	35004-A704	FENDER-FRONT RED	1			
35004	35004-17702	GUARDABARRO AZUL	1			
35004	35004-17703	GUARDABARRO VERDE	1			
35004	35004-17704	GUARDABARRO ROJO	1			
35004A	35004-1355	FENDER-FRONT	1			
35023	35023-1328	FENDER-REAR, RR	1			
35023A	35023-A016	FENDER-REAR, FR	1			
92001	92001-1862	BOIT, W/SF6X14	1			
92009	92009-1287	SCREW6X14, WHITE	2			
92009A	92009-1288	SCREW6X14, BLACK	2			
92009B	92009-1662	SCREW6X14, BLACK	4			
92009C	92009-1774	SCREW6X28, BLACK	1			
92022	92022-143	WASHER	5			
130	130D0612	BOIT-FLANGED	2			
187	187B0622	BOIT-UPSETWSP	4			

Group No.

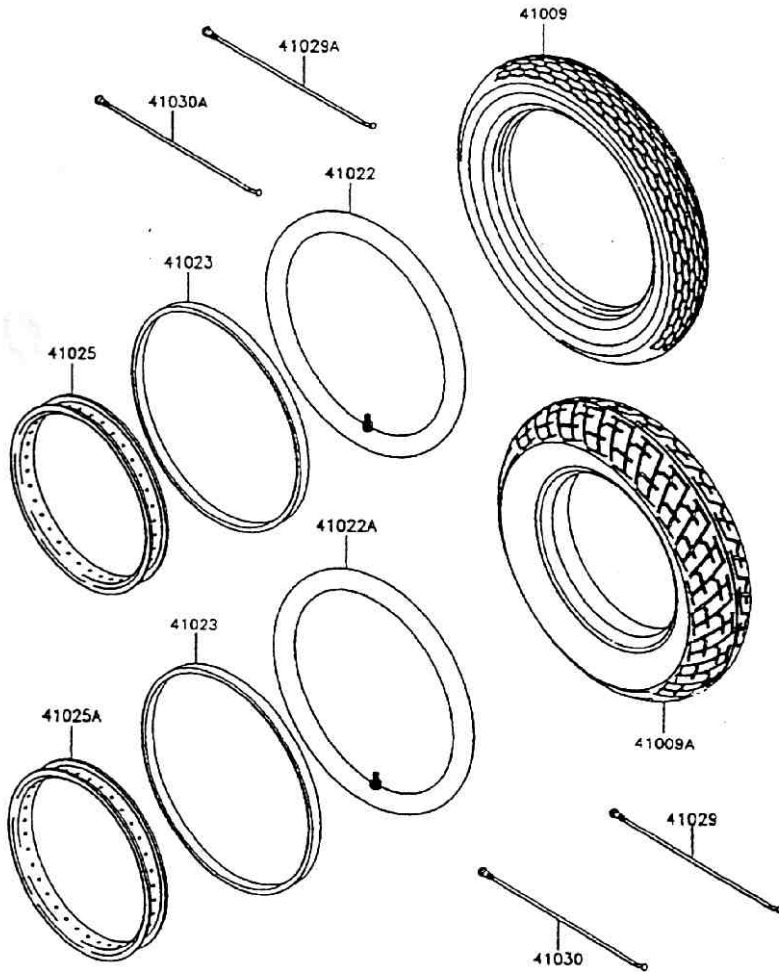
MAGIC 110

21

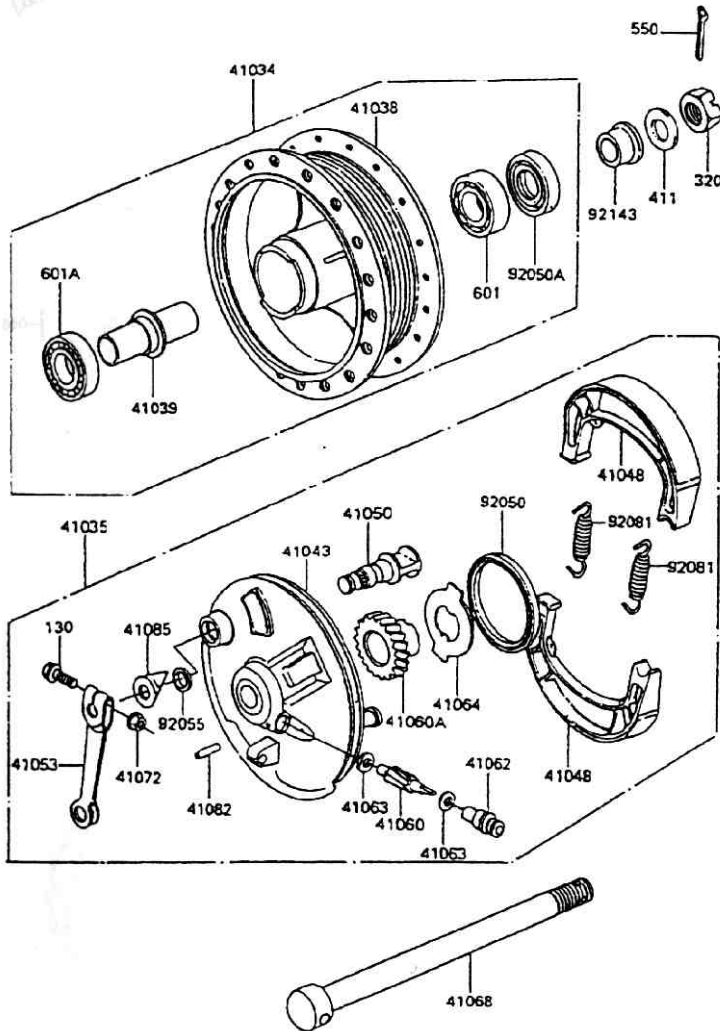
Stand(s)



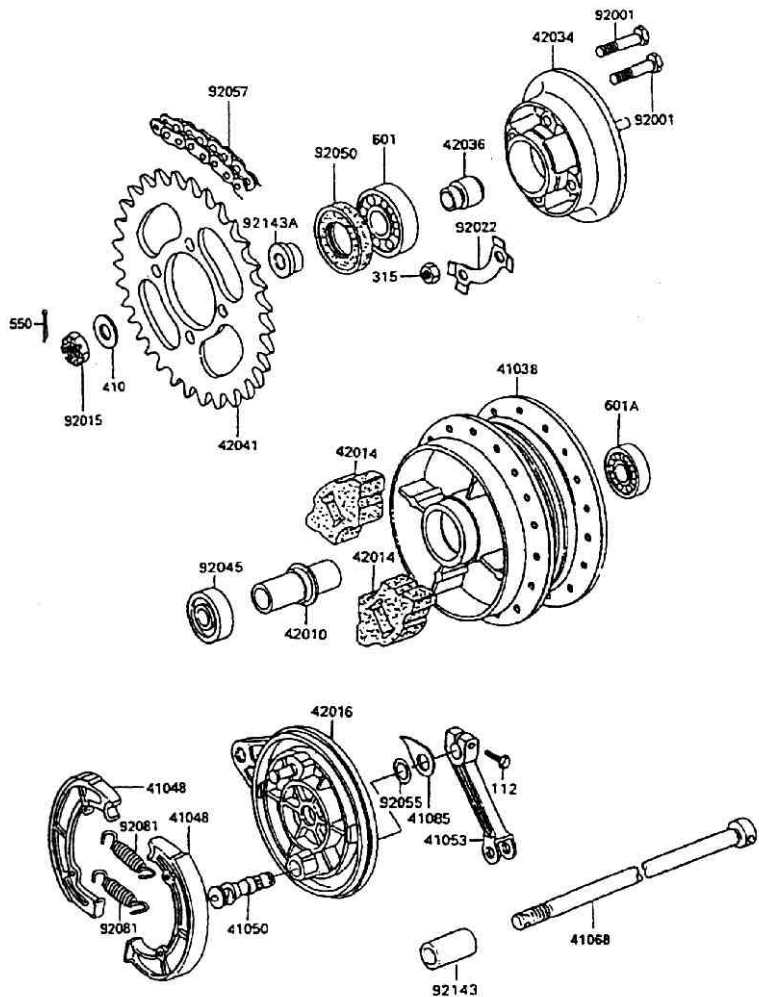
Ref. No.	Part No.	Description	Quantity-A#0			
			'99			
3401	3401-A006	STAND-CENTER	1			
34019	34019-1054	SHAF-STAND, CNT	1			
34024	34024-A010	STAND-SIDE	1			
34025	34025-005	SPRING-SID	1			
92015	92015-188	NUTLOCK, 10MM, BLACK	1			
92144	92144-1385	SPRING, CENTER-SID	1			
92150	92150-1545	BOI, SIDE STAND	1			
550	550D3030	PIN-COTTER, 3.0X3.0	1			



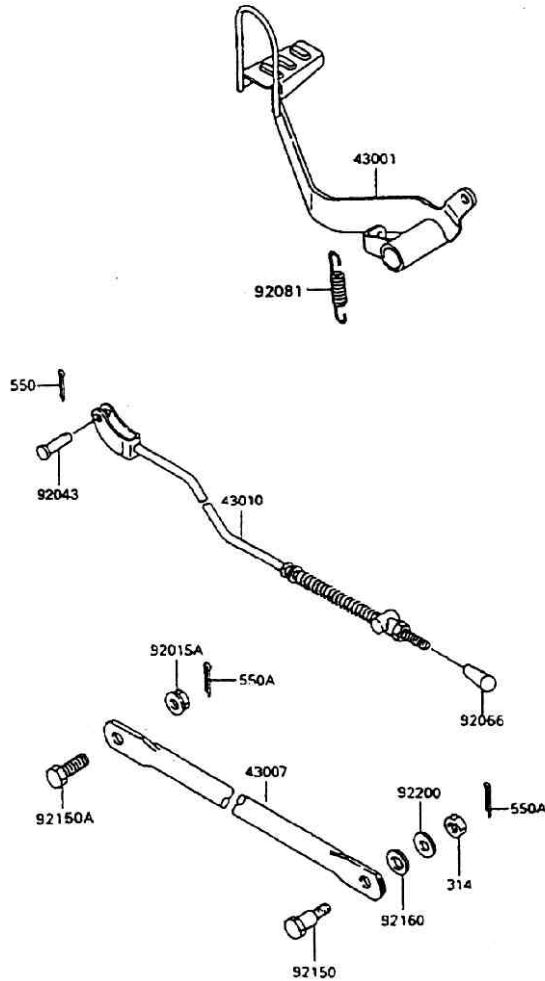
Ref. No.	Part No.	Description	Quantity-A#0			
			'99			
			A5			
41009	41070-2217-NR53/18	TIRE, FR, 2.25X17	1	(OPCIONAL)		
	41070-2517-NR53/18	TIRE, FR, 2.50X17	1	(STD)		
41009A	41070-2517-NR53/18	TIRE, RR, 2.50X17	1	(OPCIONAL)		
	41070-2717-NR53/18	TIRE, RR, 2.75X17	1	(STD)		
41022	41075-2217/18	TUBE-TIRE, 2.25/2.50X17	1	(STD)		
41022A	41075-2717/18	TUBE-TIRE, 2.75X17	1	(OPCIONAL)		
	41075-3017/18	TUBE-TIRE, 3.00X17	1	(STD)		
41023	41023-1002	BAND-RIM, 2.50X17	2			
41025	41025-003	RIM, FR, 1.20X17	1			
41025	41025-1385	RIM, FR, 1.40X17	1	(STD)		
41025A	41025-006	RIM, RR, 1.40X17	1			
	41025-1279	RIM, RR, 1.60X17	1	(STD)		
41029	41029-1209	SPOKE-INNER	36			
41030	41030-1124	SPOKE-OUTER	36			



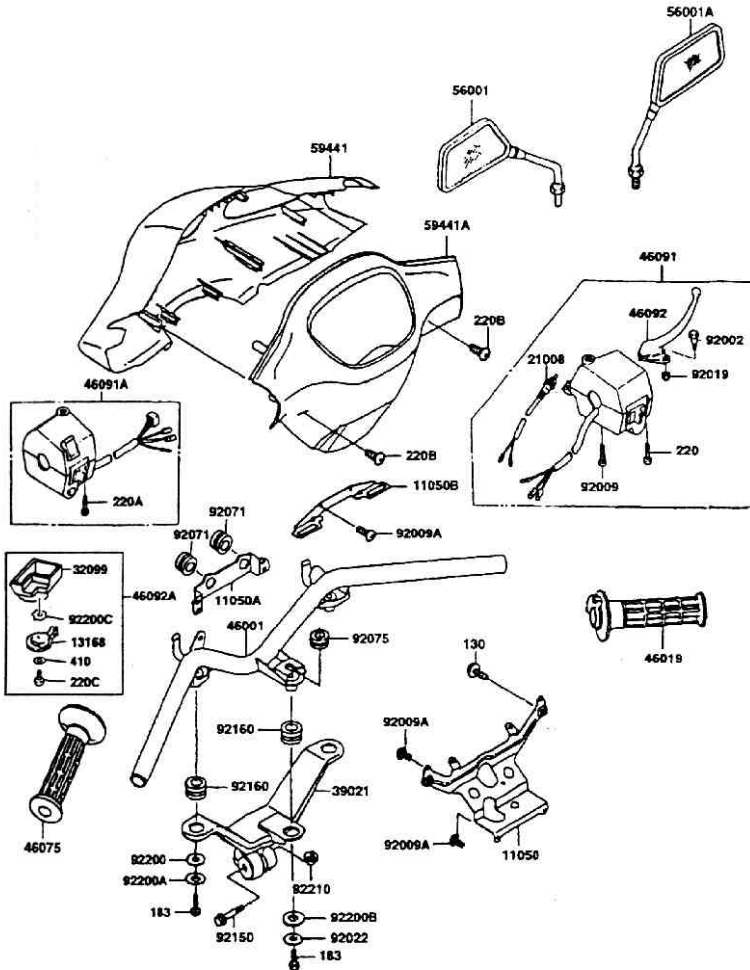
Ref. No.	Part No.	Description	Quantity-A#0		
			'99		
41034	41034-1246	DRUM-ASSFRONBRAKE	1		
41035	41035-1481	PANEL-ASSBRAKE, FR	1		
41038	41038-1269	DRUM-FRONT	1		
41039	41039-002	COLLAR, L=51	1		
41043	41043-1098	PANEL-BRAKE FRONT	1		
41048	41048-017	SHOE-BRAKE	2		
41050	41050-018	CAM-BRAKE	1		
41053	41053-005	LEVER-BRAKE CAM	1		
41060	41060-014	GEAR-METER SCREW	1		
41060A	41060-1026	GEAR-METER SCREW	1		
41062	41062-005	BUSHING, SPEEDOMETER CABLE	1		
41063	41063-001	WASHER, 5.1X9X0.4	2		
41064	41064-010	RECEIVER-SPEEDOMETER	1		
41068	41068-1373	AXLE, FR	1		
41072	41072-007	NUT6MM	1		
41082	41082-001	PIN, SPRING	1		
41085	41085-013	INDICATOR, BRAKE SHOE	1		
92050	92050-002	SEAL-OIL, BRAKANEL	1		
92050A	92050-063	SEAL-OIL, TC17317	1		
92055	92055-004	RING-O, BRAKE CAM	1		
92081	92081-1766	SPRING, BRAKE SHOE	2		
92143	92143-1687	COLLAR, FR AXLE, L=16.5	1		
130	130G0630	BOIT-FLANGED, 6X30	1		
320	320B1000	NUTCASTLE, 10MM	1		
411	411B1000	WASHER-PLAIN, 10MM	1		
550	550D2525	PIN-COTTER, 2.5X25	1		
601	601B6200	BEARING-BALL, #6200	1		
601A	601B6300Z	BEARING-BALL, #6300Z	1		



Ref. No.	Part No.	Description	Quantity-A#0			
			'99			
41038	41038-1275	DRUM-REAR	1			
41048	41048-017	SHOE-BRAKE	2			
41050	41050-012	CAM-BRAKE	1			
41053	41053-1036	LEVER-BRAKE CAM, RR	1			
41068	41068-1372	AXLE, RR	1			
41085	41085-003	INDICATOR, BRAKE SHOE	1 (STD)			
42010	42010-005	COLLAR, L=58	1			
42014	42014-016	DAMPER, RR HUB SHOCK	4			
42016	42016-168	PANEL-BRAKE REAR	1			
42034	42034-144	COUPLING-HUB, RR	1			
42036	42036-1292	SLEEVE, RR HUB COUPLING, L=29	1			
42041	42041-098	SPROCKET HUB, 37T	1 (OPCIONAL)			
	42041-1412	SPROCKET HUB, 38T	1 (STD)			
92001	92001-082	BOIT, HUBSPROCKET X36	4			
92015	92015-1870	NUT CASTLE, 12MM	1			
92022	92022-1705	WASHER, LOCK	2			
92045	92045-1308	BEARING-BALL, 9201ZC3/5C	1			
92050	92050-009	SEAL-OIL, RR BRK DRUM	1			
92055	92055-004	RING-O, BRAKE CAM	1			
92057	92057-1344	CHAIN, DRIVE, EK428GX106L	1			
92081	92081-1766	SPRING, BRAKE SHOE	2			
92143	92143-1521	COLLAR, RR AXLE, RH, L=35	1			
92143A	92143-1533	COLLAR, RR AXLE, LH, L=17	1			
112	112G0622	BOIT-UPSET	1			
315	315B1000	NUT HEX-FINE, 10MM	4			
410	410B1200	WASHER-PLAIN-SMALL, 12MM	1			
550	550D3025	PIN-COTTER, 3.5X25	1			
601	601B6004	BEARING-BALL, #6004G	1			
601A	601B6301	BEARING-BALL, #6301UG	1			

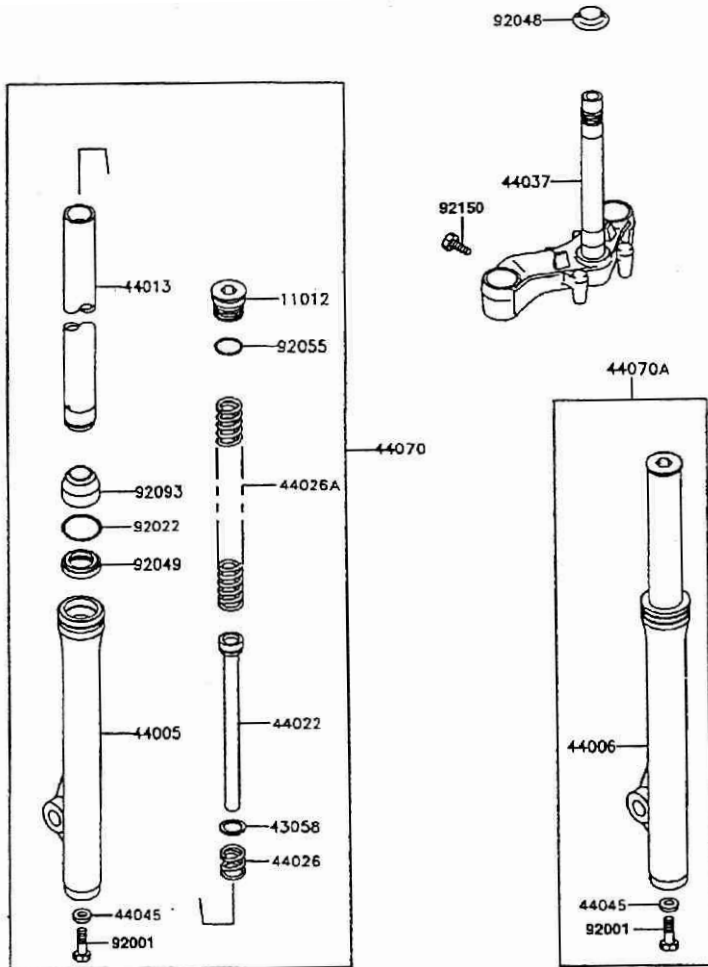


Ref. No.	Part No.	Description	Quantity-A#0			
			'99			
43001	43001-1373	LEVER-BRAKE, PEDAL	1			
43007	43007-160	ROD-DRQUE	1			
43010	43010-A003	ROD-ASSBRAKE	1			
92015	92015-1428	NUTFLANGED, 10MM	1			
92043	92043-1542	PIN	1			
92081	92081-1947	SPRING, STERETURN	1			
92066	92066-1433	PLUG	1			
92150	92150-1544	BOI, 8X30.1	1			
92150A	92150-1873	BOI, 10.25	1			
92160	92160-1313	DAMPER	1			
92200	92200-113	WASHER, 8X22X2.3	1			
314	314B0800	NUTHEX-FINE, 8MM	1			
550	550D2015	PIN-COTTER, 2.0X15	1			
550A	550D2018	PIN-COTTER, 2.0X18	2			



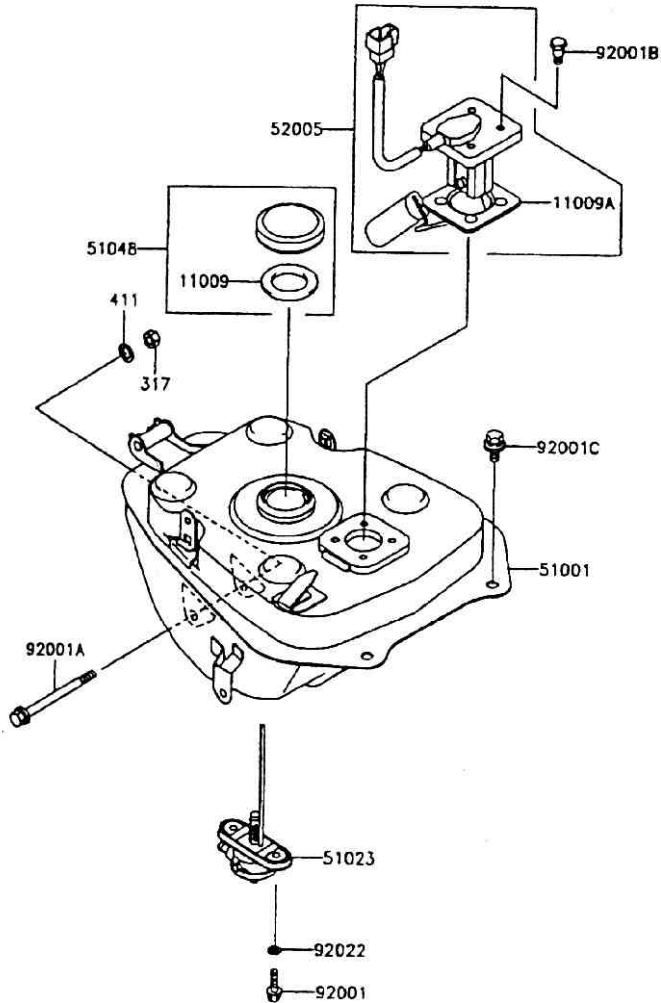
Ref. No.	Part No.	Description	Quantity-A#			
			'99			
11050	11050-1264	BRACKETCOVER, FR	1			
11050A	11050-1265	BRACKETMETER	1			
11050B	11050-1331	BRACKETHEAD LAMP	1			
13168	13168-A002	LEVER-CHOKE	1			
21008	21008-1052	SWITCH, BRAKE, FR	1			
32099	32099-A001	BODYLEVER CHOKE	1			
39021	39021-1056	BRACKETHANDLE POLE	1			
46001	46001-A002	HANDLE-ASSY	1			
46019	46019-A005	GRIP-ASSYTHROTTLE	1			
46075	46075-A005	GRIPLH	1			
46091	46091-1346	HOUSING-ASSYCONTROL, RH	1			
46091A	46091-1347	HOUSING-ASSYCONTROL, LH	1			
46092	46092-1013	LEVER-GRIPRONBRAKE	1			
46092A	46092-A014	LEVER-CHOKE-ASSY	1			
56001	56001-1455	MIRROR-ASSYRH	1			
56001A	56001-1456	MIRROR-ASSYRH	1			
59441	59441-A700	COVER-HANDLE, FR BLUE	1			
	59441-A701	COVER-HANDLE, FR GREEN	1			
	59441-A702	COVER-HANDLE, FR RED	1			
59441A	59441-1133	COVER-HANDLE, RR	1			
92002	92002-1111	BOIT	1			
92009	92009-1018	SCREW	1			
92009A	92009-1503	SCREW	6			
92019	92019-014	NUTLOCK	1			
92022	92022-1561	WASHER	1			
92071	92071-056	DAMPER	2			
92075	92075-1067	DAMPER	1			
92150	92150-1719	BOIT, FLANGED, 10X51	1			
92160	92160-1527	DAMPER	3			
92200	92200-165	WASHER	2			
92200A	92200-1215	WASHER, 8.5X17X2.3	2			
92200B	92200-1216	WASHER, 8.5X32X2.3	1			
92200C	92200-A001	WASHER	1			
92210	92210-1080	WASHER	1			
130	130J0614	BOIT-FLANGED, 6X14	2			
183	183H0820	BOIT-UPSETWS-SMALL	3			
220	220B0530	SCREWPAN-CROS, 5X30	1			
220A	220B0550	SCREWPAN-CROS, 5X50	4			
220B	220C0412	SCREWPAN-CROS, 4X12	2			
220C	220C0610	SCREWPAN-CROS, 6X10	1			
410	410B0600	WASHER-PLAIN-SMALL, 6MM	1			



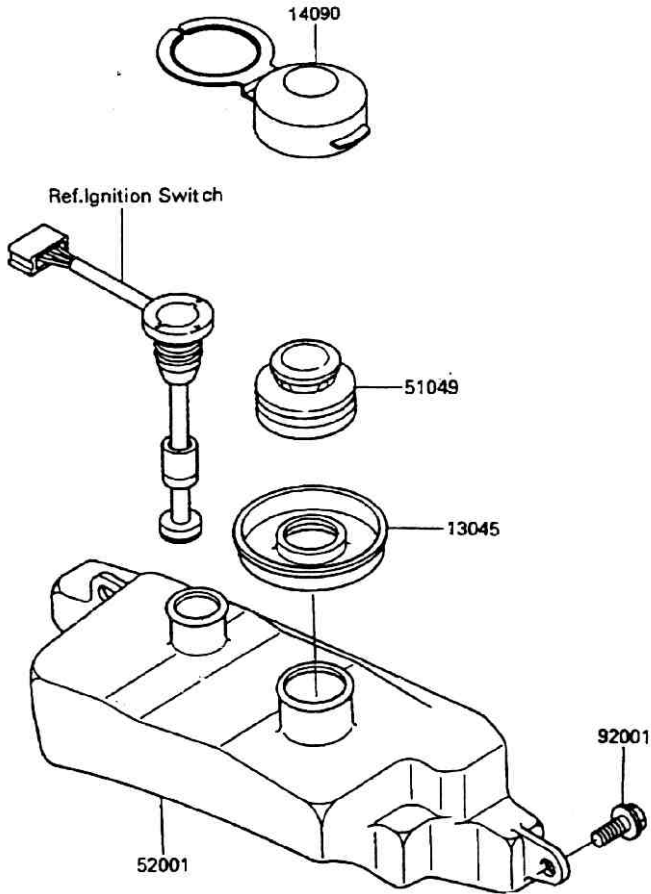


Ref. No.	Part No.	Description	Quantity-A#0			
			'99			
11012	11012-173	CAP-FORK BDL	2			
44005	44005-1348	PIPE-LEFTFORK OUTER	1			
44006	44006-1346	PIPE-RIGHTFORK OUTER	1			
44013	44013-1406	PIPE-FORK INNER	2			
44022	44022-1302 NP	CYLINDER-FORK	2			
44026	44026-1567 NP	SPRING-FRONTFORK	2			
44026A	44026-1568 NP	SPRING-FRONTFORK	2			
44037	44037-A018	HOLDER-FORK UNDER	1			
44045	44045-051	GASKET-FORK CYLINDER BOL	2			
43058	43058-1082 NP	WASHER	2			
44070	44070-1362	DAMPER-ASSFORK, LH	1			
44070A	44070-1363	DAMPER-ASSFORK, RH	1			
92001	92001-1464	BOLT, FORK CYLINDER	2			
92022	92022-1253	WASHER, OUTER PIPE	2			
92048	92048-1096	RACE, STEERING STEM BEARING	1			
92049	92049-1432	SEAL-OIL	2			
92055	92055-104	RING-O, FRONTFORK	2			
92093	92093-1377 NP	SEAL	2			
92150	92150-174	BOLT, 8X30	4			

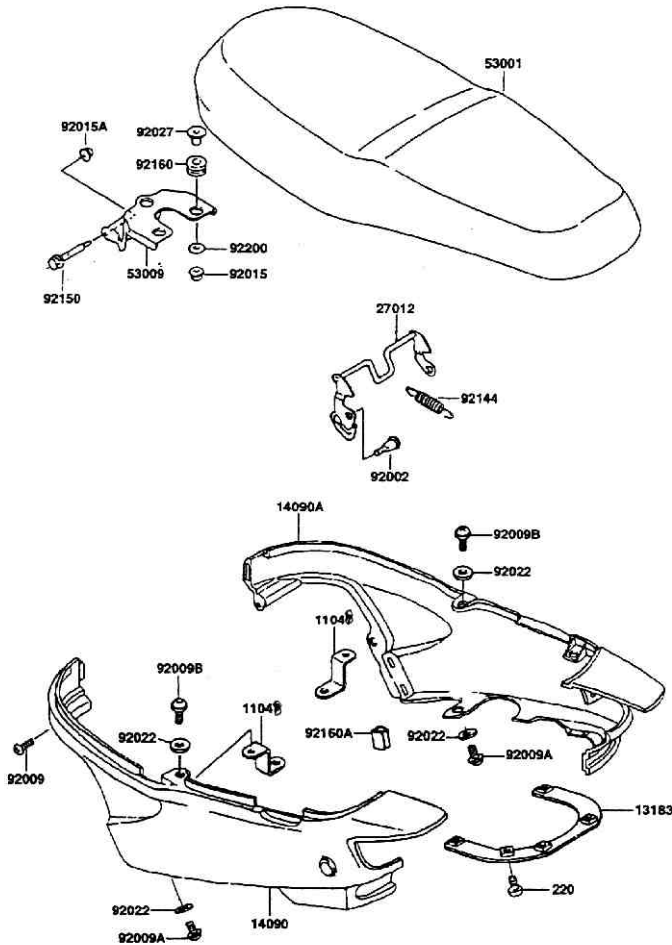




Ref. No.	Part No.	Description	Quantity-A110			
			'99			
11009	11009-1656	GASKET,FUEIGAUGE				1
51001	51001-A013	TANK-COMP-FUEL				1
51023	51023-1212	TAP-ASSYFUEL				1
51048	51048-1120	CAP-ASSYANK				1
52005	52005-1100	GAUGE, FUEL				1
92001	92001-1091	BOII, 6X20				2
92001A	92001-1583	BOII, FLANGED, 8X70				1
92001B	92001-1705	BOII, FUEIGAUGE				4
92001C	92001-1862	BOII, W/SP6X14				2
92022	92022-183	WASHER, 6.2X11.5				2
317	317B0800	NUTHEX-SMALL, 8MM				1
411	411B0800	WASHER-PLAIN, 8MM				1

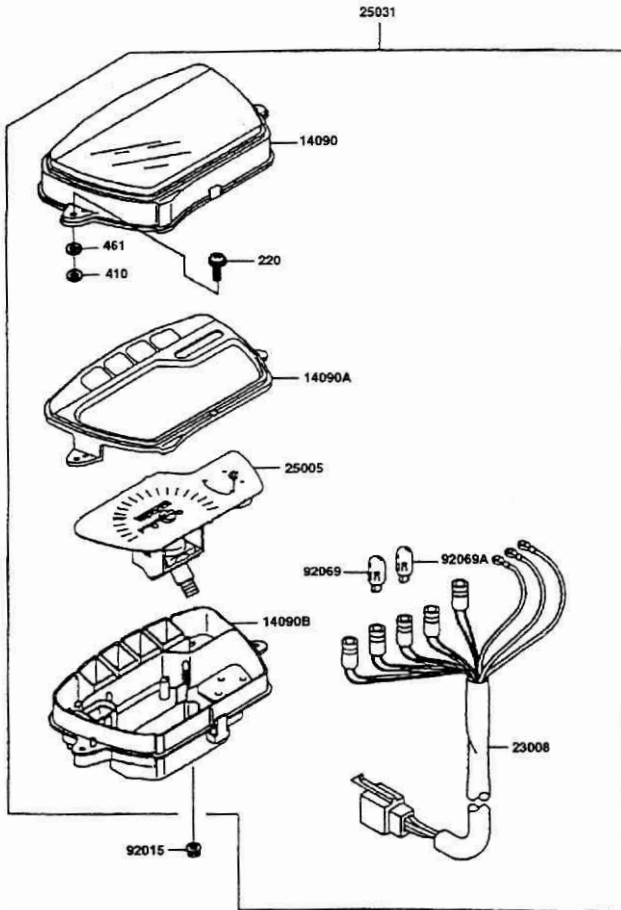


Ref. No.	Part No.	Description	Quantity-A#0			
			'99			
13045	13045-1053	RECEIVER-OIL				1
14090	14090-1329	COVER, OILTANK CAP				1
51049	51049-1096	CAP-WNK				1
52001	52001-1088	TANK-OIL				1
92001	92001-1926	BOIT, 6X14				2

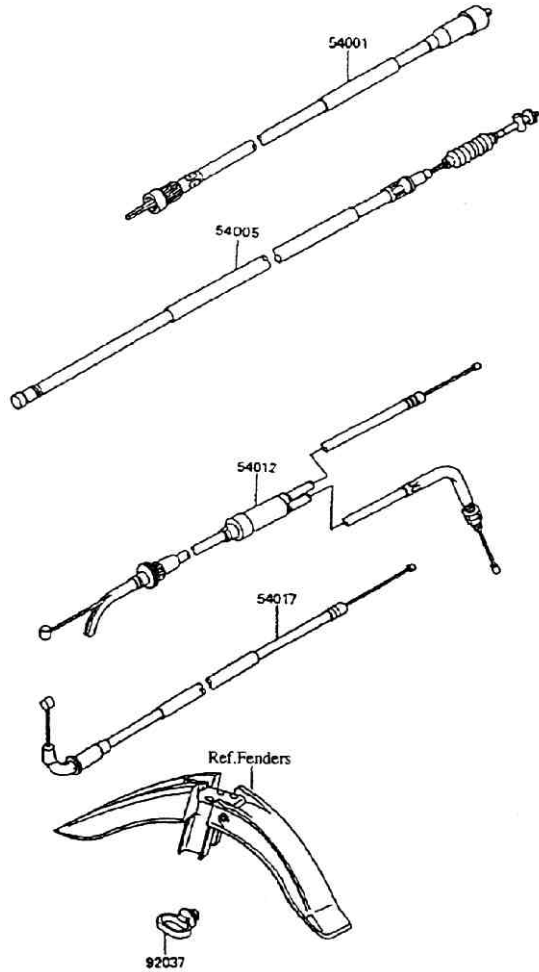


Ref. No.	Part No.	Description	Quantity-A110			
			'99			
11048	11048-1080	BRACKET	2			
13183	13271-1113	PLATE	1			
14090	14090-1982-NP	COVER, SEALH	1	(SIN PINAR)		
14090A	14090-1983-NP	COVER, SEARH	1	(SIN PINAR)		
27012	27012-1452	HOOK, SEA	1			
53001	53001-1786	SEA-ASSY	1			
53009	53009-A006	HINGE, SEA	1			
92002	92002-1616	BILT, SOCKETMM	2			
92009	92009-1158	SCREW4X16, BLACK	1			
92009A	92009-1256	SCREW	2			
92009B	92009-1288	SCREW6X14	2			
92015	92015-1233	NUTFLANGED, 6MM	3			
92015A	92015-1752	NUTLOCK, FLANGED, 5MM	1			
92022	92022-1143	WASHER, 6.5X16X1	4			
92027	92027-251	COLLAR, L=13.1	3			
92144	92144-1120	SPRING	1			
92150	92150-1520	BOII, 5X49	1			
92160	92160-1294	DAMPER	3			
92160A	92160-A036	DAMPER	2			
92200	92200-1087	WASHER, 6.5X22X1.6	3			
220	220D0610	SCREW PAN-CROS, 6X10	1			

**31** Meter(s)

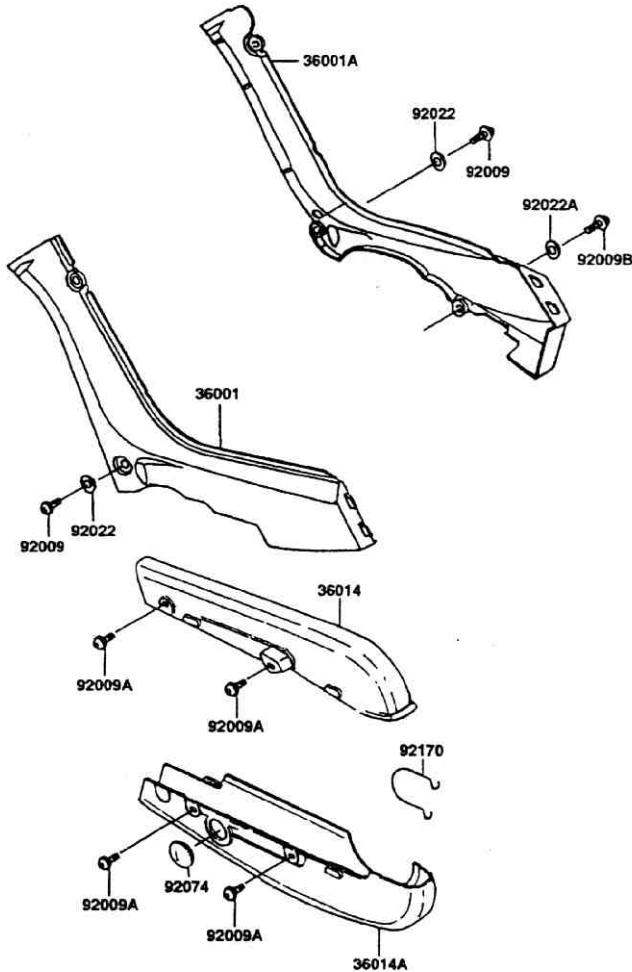


Ref. No.	Part No.	Description	Quantity-A#0			
			'99			
14090	14090-A013	COVER, UPP				1
14090A	14090-A014	COVER, REFLECTOR				1
14090B	14090-A015	COVER, LOW				1
23008	23008-A048	SOCKET ASSY, METER				1
25005	25005-A034	METER, SPEEDOMETER & FUEL				1
25031	25031-A027	METER ASSY				1
92015	92015-1259	NUT FLANGED, 5MM				3
92069	92069-A002	BULB, 12V 1.7W				2
92069A	92069-A003	BULB, 12V 3W				5
220	220B0412	SCREW PAN-CROS, 4X12				2
410	410B0400	WASHER PAN-SMALL, 4MM				2
461	461B0400	WASHER, 4MM				2

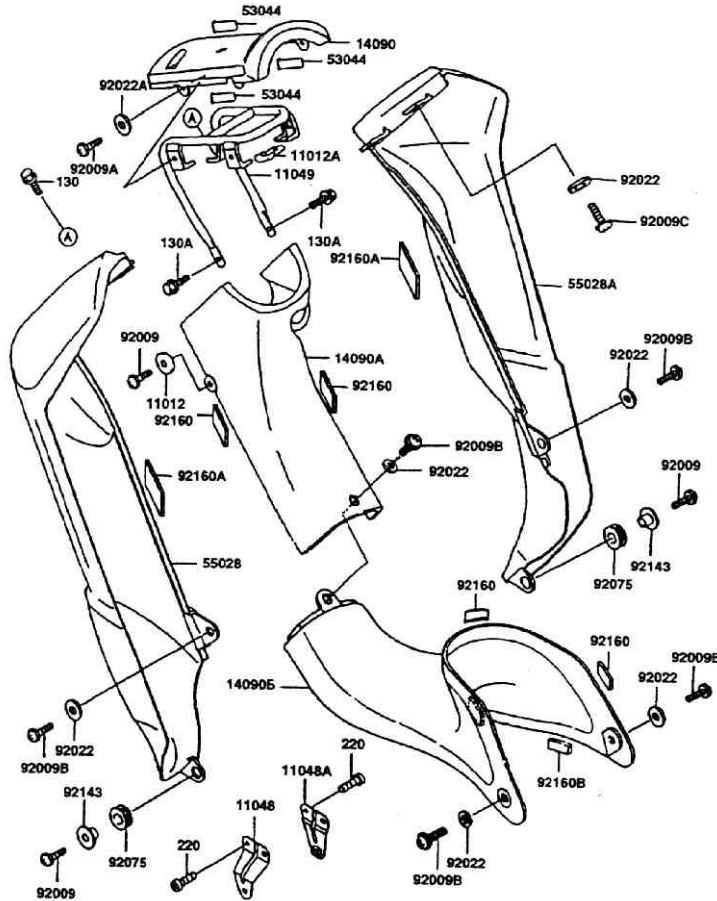


Ref. No.	Part No.	Description	Quantity-A110			
			'99			
54001	54001-1204	CABLE-SPEEDOMETER	1			
54005	54005-179	CABLE-BRAKE	1			
54012	54012-A006	CABLE-THROTTLE	1			
54017	54017-A003	CABLE-STARTER	1			
92037	92037-1459	CLAMP-CABLE	1			

Side Covers/Chain Cover



Ref. No.	Part No.	Description	Quantity-A#			
			'99			
36001	36001-1555-NP	COVER-SIDE, LH	1	(SIN PIN)		
36001A	36001-A012-NP	COVER-SIDE, RH	1	(SIN PIN)		
36014	36014-A005	CASE-CHAIN, UPP	1			
36014A	36014-A006	CASE-CHAINWR	1			
92009	92009-1287	SCREW6X14, WHITE	2			
92009A	92009-1288	SCREW6X14, BLACK	4			
92009B	92009-1652	SCREW5X12	1			
92022	92022-143	WASHER, 6.5X16X1	2			
92022A	92022-1521	WASHER, NYLON, 513X1.5	1			
92074	92074-004	GROMMET	1			
92170	92170-1753	CLAMP	1			



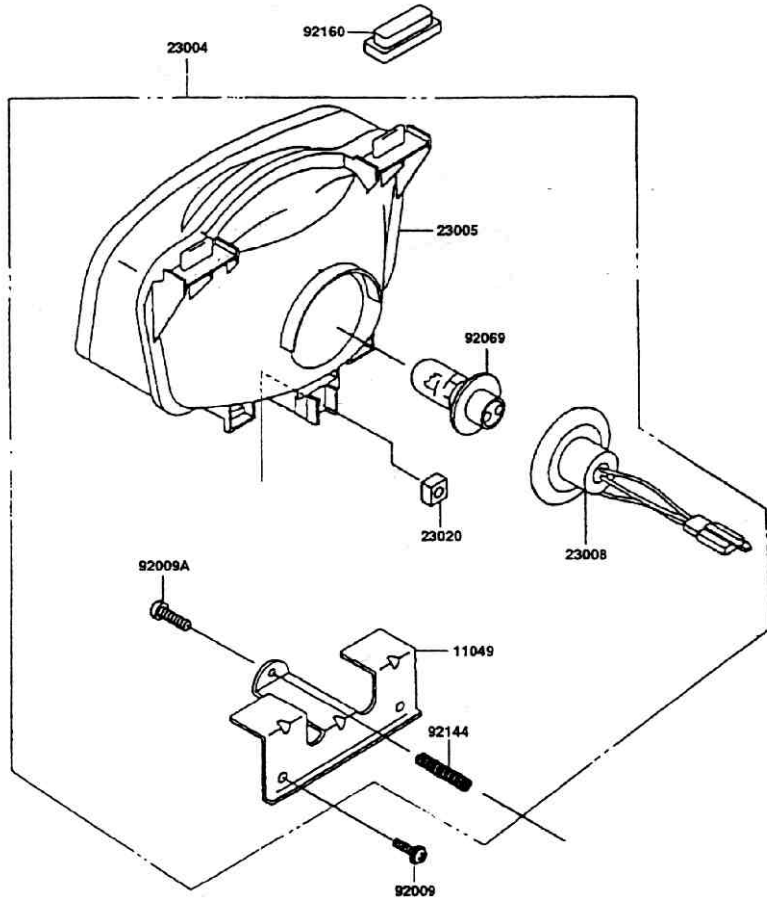
Ref. No.	Part No.	Description	Quantity-A#0			
			'99			
11012	11012-1786	CAP	2			
11012A	11012-1864	CAP-FRONT/COVER BRACKET	4			
11048	11048-1908	BRACKET LEG SHIELD/RR, LH	1			
11048A	11048-1909	BRACKET LEG SHIELD/RR, RH	1			
11049	11049-1696	BRACKET FRONE COVER	1			
14090	14090-1711-NP	COVER, FRONT	1	(SIN PIN/RR)		
14090A	14090-1866	COVER, LEG SHIELD, FR	1			
14090B	14090-1867	COVER, LEG SHIELD, RR	1			
53044	53044-A009	DAMPER	4			
55028	55028-1307-NP	COWLING, LEG SHIELD, LH	1	(SIN PIN/RR)		
55028A	55028-1308-NP	COWLING, LEG SHIELD, RH	1	(SIN PIN/RR)		
92009	92009-111	SCREW 6X18, WHITE	4			
92009A	92009-182	SCREW 5X12, BLACK	4			
92009B	92009-1287	SCREW 6X14, WHITE	2			
92009C	92009-1288	SCREW 6X14, BLACK	6			
92009D	92009-1256	SCREW 6X18, BLACK	1			
92022	92022-143	WASHER, 6.5X16X1	7			
92022A	92022-1521	WASHER, NYLON, 513X11.5	6			
92075	92075-1634	DAMPER	2			
92143	92143-1016	COLLAR, L=9.6	2			
92160	92160-1678	DAMPER	5			
92160A	92160-1679	DAMPER	2			
92160B	92160-A025	DAMPER	6			
130	130G0812	BOI, 8X12	1			
130A	130J0612	BOI-FLANGED, 6X12	2			



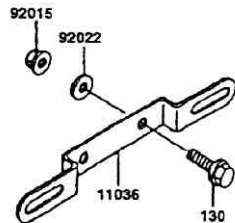
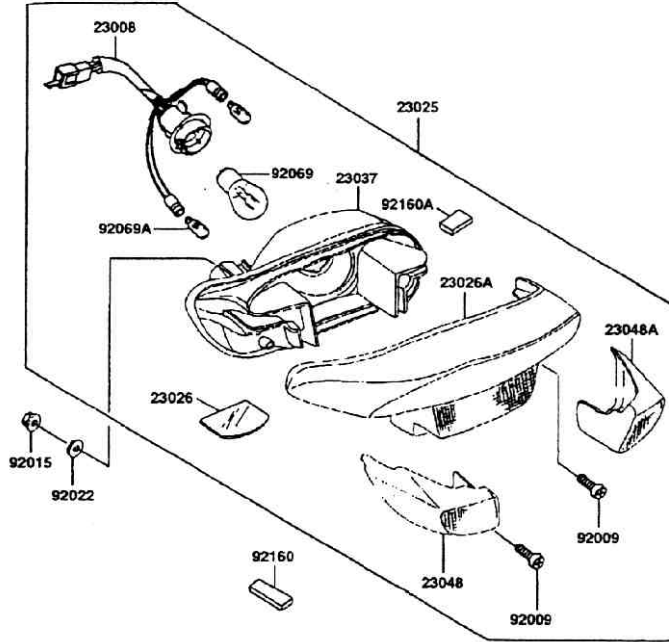
Group No.

MAGIC 110

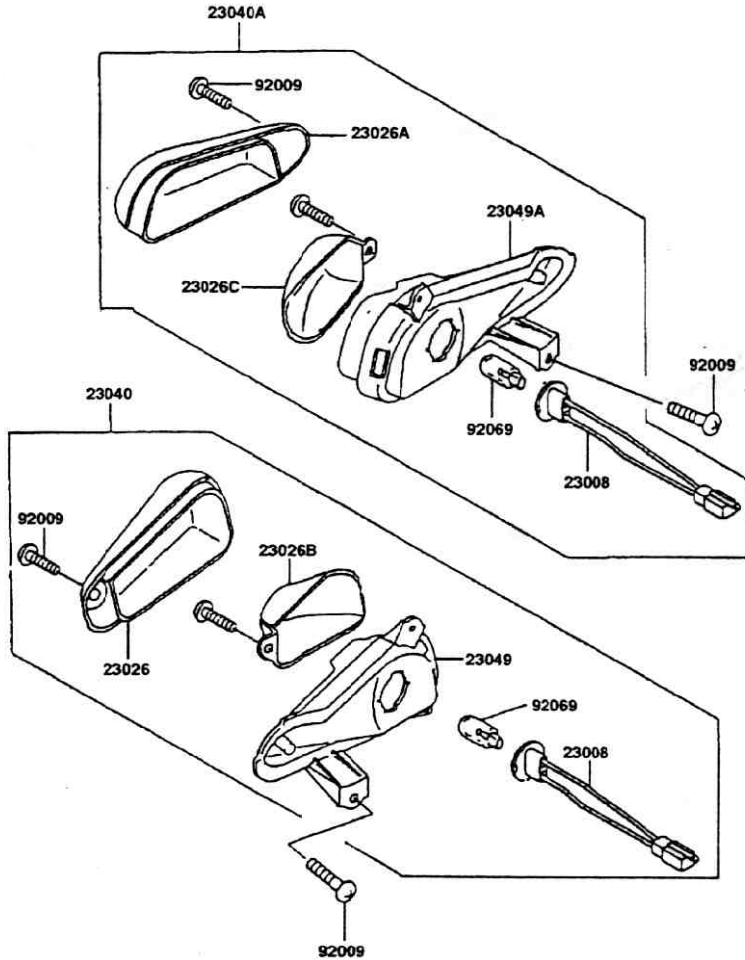
**35** Headlight(s)



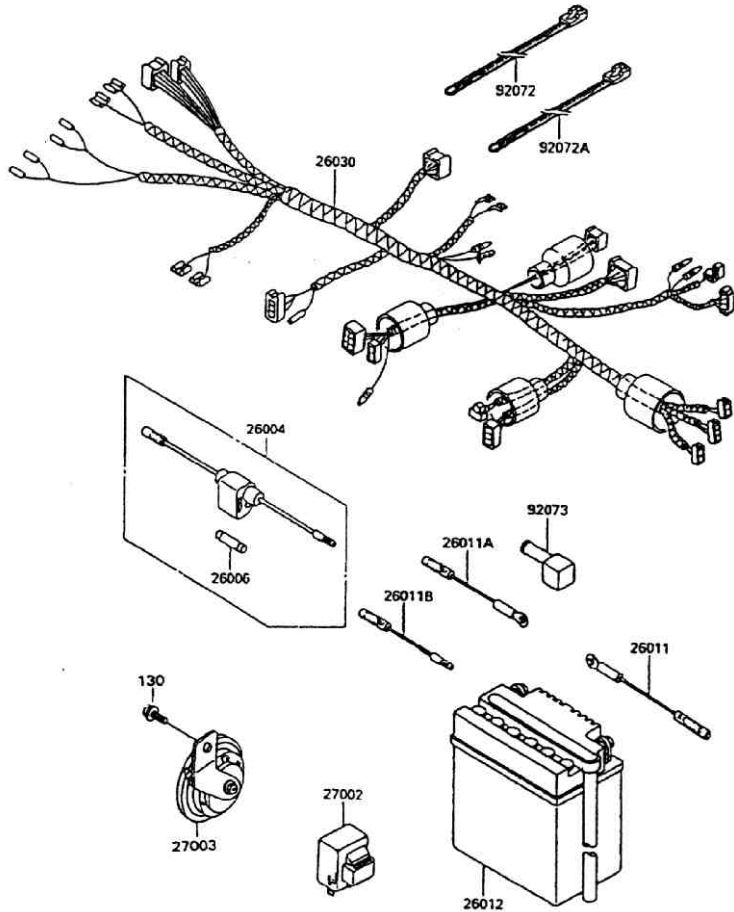
Ref. No.	Part No.	Description	Quantity-A#0			
			'99			
11049	11049-A004	BRACKETHEAD LAMP	1			
23004	23004-1391	LAMPHEAD	1			
23005	23005-A007	LENS-COMPEAD LAMP	1			
23008	23008-1567	SOCKETASSYHEAD LAMP	1			
23020	23020-018	NUT4MM, FOCUS ADJUST	1			
92009	92009-1792	SCREWAPPING, 4X14	2			
92009A	92009-A029	SCREW	1			
92069	92069-1019	BULB, 12V 35/35W	1			
92144	92144-1964	SPRING	1			
92160	92160-1304	DAMPER	2			



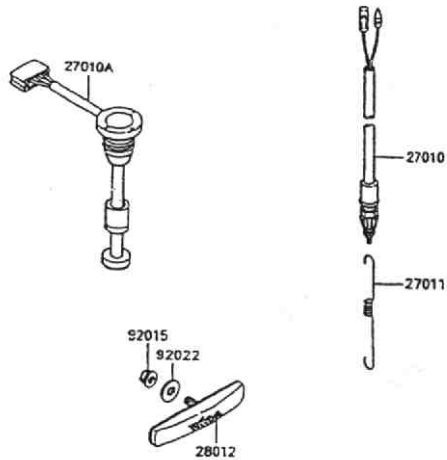
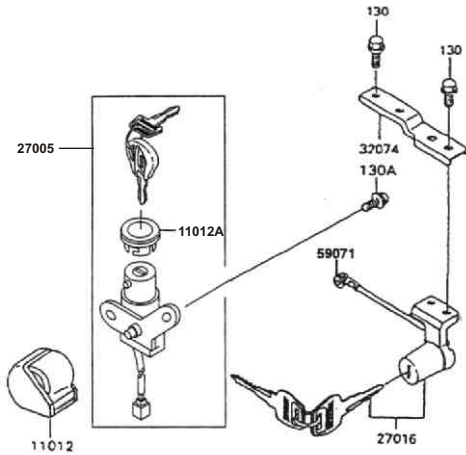
Ref. No.	Part No.	Description	Quantity-A110			
			'99			
11036	11036-1040	BRACKET, LICENSE PLATE				1
23008	23008-1551	SOCKET ASSY LAMP TAIL				1
23025	23025-A017	LAMP TAIL				1
23026	23026-185	LENS, LICENSE LIGHT				1
23026A	23026-A031	LENS, TAIL LAMP				1
23037	23037-1128	BODY COMP TAIL LAMP				1
23048	23048-153	LENS-SIGNAL AMP LH				1
23048A	23048-154	LENS-SIGNAL AMP RH				1
92009	92009-1355	SCREW TAPPING				4
92015	92015-193	NUT FLANGED, 6MM				2
92022	92022-125	WASHER, 6.5X10X1.2				2
92160	92160-1674	DAMPER				1
92160A	92160-1675	DAMPER				1
92069	92069-057	BULB, 12V 18/5W				1
92069A	92069-1088	BULB, 12V 10W				2
130	130D0614	BOLT FLANGED, 6X14				2



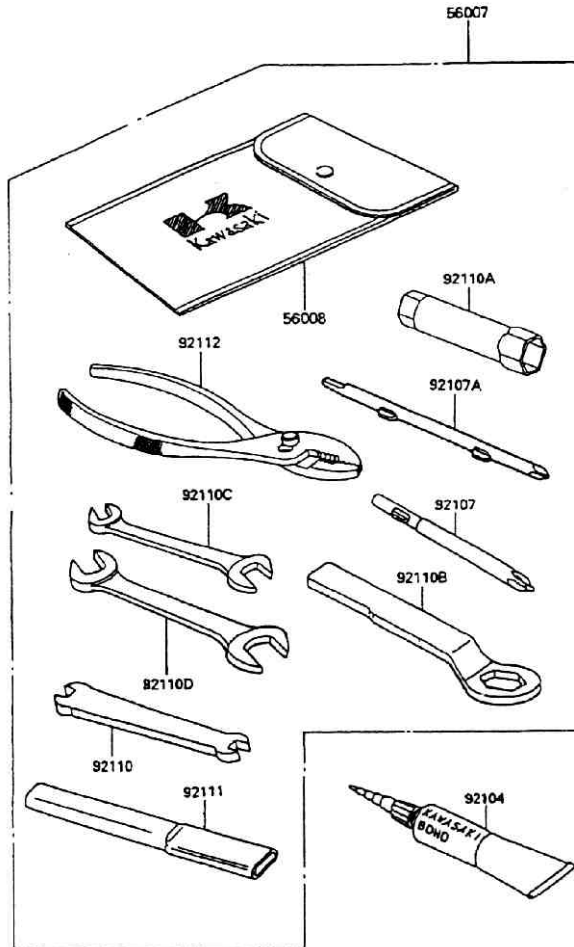
Ref. No.	Part No.	Description	Quantity-A#0			
			'99			
23008	23008-A053	SOCKET ASSY SIGNAL LAMP		2		
23026	23026-A034	LENS-SIGNAL LAMP LH		1		
23026A	23026-A035	LENS-SIGNAL LAMP RH		1		
23026B	23026-A036	LENS-SIGNAL LAMP INNER, LH		1		
23026C	23026-A037	LENS-SIGNAL LAMP INNER, RH		1		
23040	23040-1273	LAMP-SIGNAL LAMP LH		1		
23040A	23040-1274	LAMP-SIGNAL LAMP RH		1		
23049	23049-A006	BODY COMP SIGNAL LAMP LH		1		
23049A	23049-A007	BODY COMP SIGNAL LAMP RH		1		
92009	92009-A030	SCREW		4		
92069	92069-1088	BULB, 12V 10W		2		



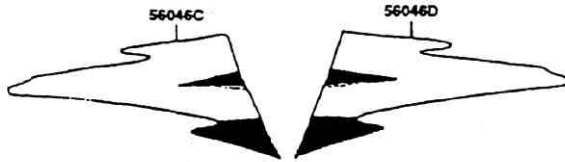
Ref. No.	Part No.	Description	Quantity-A#0			
			'99			
26004	26004-1088	FUSE-ASSY	1			
26006	26006-1003	FUSE, 15A, L=30	2			
2601	2601-1436	WIRE-LEAD, BATTERY(-)	1			
2601A	2601-1501	WIRE-LEAD, BATTERY(+)	1			
2601B	2601-A01	WIRE-LEAD, BATTERY	1			
26012	26012-1267	BATTERY, 12V3 AH	1			
26030	26030-A016	HARNES, MAIN	1			
27002	27002-103	RELAY-ASSY,TURN SIGNAL	1			
27003	27003-1394	HORN	1			
92072	92072-195	BAND	1			
92072A	92072-1237	BAND, L=250	1			
92073	92073-019	CAP/BATTERY	1			
130	130B0610	BOIT-FLANGED, 6X10	1			



Ref. No.	Part No.	Description	Quantity-A110			
			'99			
11012	11012-1927	CAPIGNITION SWITCH	1			
11012A	11012-1962	TAPA SWICHE				
27005	27005-175	SWITCH-ASSIGNITION	1			
27010	27010-1298	SWITCH, REAR BRAKE	1			
27010A	27010-131	SWITCH, OLEVER	1			
2701	2701-01	SPRING, BRAKE LAMP SWITCH	1			
27016	27016-102	LOCK-ASSSEA	1			
28012	28012-1074	REFLECTOR-REFLEX	1			
32074	32074-162	BRACKET LOCK, SEA	1			
59071	59071-125	JOINING	1			
92015	92015-193	NUT FLANGED, 6MM	1			
92022	92022-125	WASHER, 6.5X20X1.6	1			
130	130J0608	BOIT-FLANGED, 6X8	4			
130A	130D0614	BOIT-FLANGED, 6X14	2			

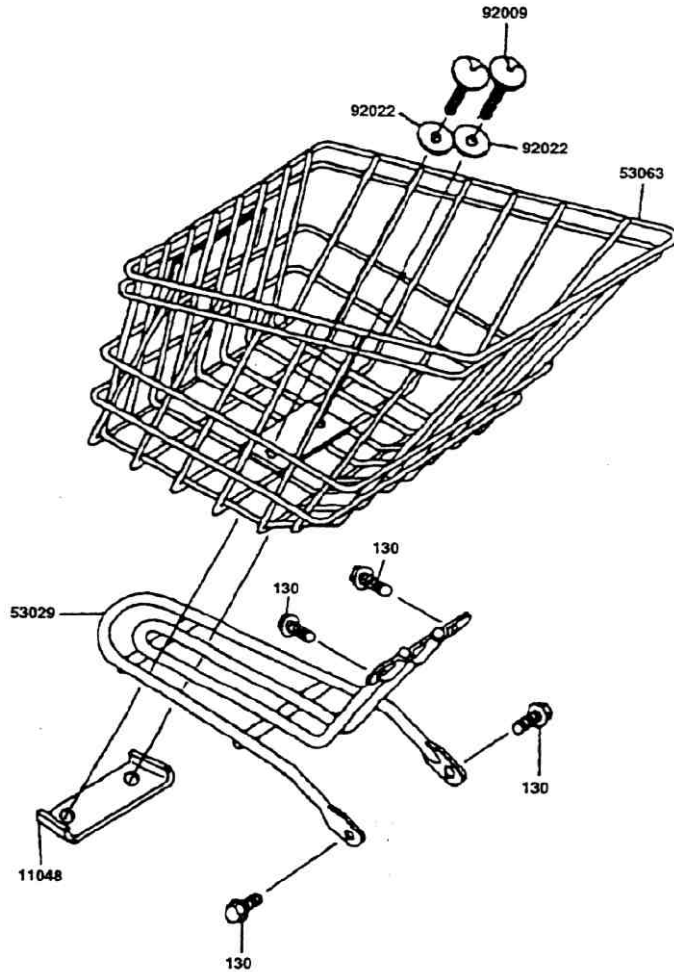


Ref. No.	Part No.	Description	Quantity-A#0			
			'99			
56007	56007-1394	TOOL-KIT	1			
56008	56008-1007	BAG, TOOL	1			
92107	92107-005	TOOL-DRIVER, #3 PHILLIPS	1			
92107A	92107-1051	TOOL-DRIVER, #2 PHILLIPS&SLOT	1			
92110	92110-1044	TOOL-WRENCH, SPOKE, 5.1X5.8	1			
92110A	92110-113	TOOL-WRENCH, BOX, 21MM	1			
92110B	92110-152	TOOL-WRENCH, OPEN END, 10X12	1			
92110C	92110-153	TOOL-WRENCH, OPEN END, 14X17	1			
92111	92111-1051	TOOL-BAR, BOX END WRENCH	1			
92112	92112-1001	TOOL-PLIERS	1			



Ref. No.	Part No.	Description	Quantity-A#0			
			'99			
56014	56014-A037	EMBLEM-KAWASAKI	1			
56018	56018-A277	MARK-BASKET	1			
56018A	56018-A358	M. MAGIC, COVER <del>SEAR</del>	1			
56018B	56018-A359	M. MAGIC, COVER <del>SEAR</del>	1			
56046	56046-A985	P. LEG SHIELD, RH	1			
56046A	56046-A986	PATTERN-COVER <del>SEAR</del> , LH	1			
56046B	56046-A987	PATTERN-COVER <del>SEAR</del> , RH	1			
56046C	56046-A988	PATTERN-COVER SIDE, LH	1			
56046D	56046-A989	PATTERN-COVER SIDE, RH	1			
56046E	56046-A990	PATTERN-COVER SIDE, RH UNDER	1			
56046G	56046-A992	PATTERN-COVER <del>SEAR</del> , RH	1			
56046H	56046-A991	PATTERN-COVER <del>SEAR</del> , LH	1			
56047	56046-A984	P. LEG SHIELD, LH				





Ref. No.	Part No.	Description	Quantity-A#0			
			'99			
11048	11048-A014	BRACKET	1			
53029	53029-160	CARRIER	1			
53063	53063-A002	BASKET	1			
92009	92009-A019	SCREW	2			
92022	92022-143	WASHER, 6.5X16X1	2			
130	130H0616	BOII, 6X16	4			

## MAGIC

## Numerical Parts Index

Part N°	Group N°	Part N°	Group N°	Part N°	Group N°	Part N°	Group N°	Part N°	Group N°	Part N°	Group N°
11002-1289	1	11060-1694	11	130D0612	20	13242-A002	9	16013-005	12	220C0660	11
11004-1178	1	112G0520	6	130D0614	36	13260-1002	7	16014-1079	12	220D0610	30
11005-1780	1	112G0622	24	130D0614	39	13260-1045	7	16016-002	12	222C0530	11
11009-1074	12	12021-1076	10	130G0630	23	13260-1322	7	16017-1360	12	223B0416	12
11009-1250	12	12022-1062	10	130G0812	34	13270-1095	17	16021-1162	12	223B0620	14
11009-1656	28	120S0616	3	130G0820	19	13271-1113	30	16025-1181	12	23004-1391	35
11009-1722	11	13001-1422	4	130G0825	3	132E0616	18	16029-002	12	23005-A007	35
11009-1774	1	13002-1077	4	130H0616	42	132E0820	19	16030-1065	12	23008-1551	36
11009-1992	3	13008-1140	4	130J0608	39	132G0614	14	16031-1068	12	23008-1567	35
11011-1404	2	13024-1089	4	130J0610	17	14002-1677	10	16038-022	12	23008-A048	31
11012-1173	27	13025-1112	4	130J0612	17	14002-1724	10	16065-1295	10	23008-A053	37
11012-1389	12	13027-1176	4	130J0612	34	14014-1122	10	16082-1135	13	23020-018	35
11012-1786	34	13029-1222	4	130J0614	26	14014-1127	9	16115-1053	11	23025-A017	36
11012-1789	18	13031-1376	4	130S0620	9	14020-1100	6	16181-1066	12	23026-1185	36
11012-1841	2	13033-1009	4	130S0630	5	14026-A007	11	172G08120	10	23026-1185	36
11012-1861	16	13034-1082	4	13102-1132	6	14031-A011	11	172G0822	1	23026-A031	36
11012-1864	34	13035-1068	4	13102-1133	6	14032-A017	11	18090-1151	3	23026-A034	37
11012-1927	39	13037-1466	4	13127-1210	7	14069-003	10	18090-1443	3	23026-A035	37
11012-1962	39	13037-1472	4	13128-1123	7	14073-1493	2	183B0818	10	23026-A036	37
11012-1998	19	13044-5078	4	13129-1614	7	14073-1495	2	183H0820	26	23026-A037	37
11013-1159	2	13045-1053	29	13129-1619	7	14073-1620	2	187B0622	20	23037-1128	36
11013-1213	2	13059-1153	5	13129-1641	7	14079-1102	10	21002-1328	14	23040-1273	37
11036-1040	36	13061-1435	5	13129-1929	7	14090-1329	29	21003-1284	14	23040-1274	37
11048-1054	17	13063-002	5	13140-1118	8	14090-1711-NP	34	21007-1303	14	23048-1153	36
11048-1055	17	13066-1070	5	13140-1119	8	14090-1813	20	21008-1052	26	23048-1154	36
11048-1080	30	13070-1035	5	13141-1147	8	14090-1866	34	21066-1086	14	23049-A006	37
11048-1844	17	13070-1068	12	13144-1145	7	14090-1867	34	21119-1442	15	23049-A007	37
11048-1898	17	13078-1057	5	13151-1070	9	14090-1982-NP	30	21121-1229	15	233C0610	3
11048-1899	17	13086-1065	6	13157-004	9	14090-1983-NP	30	21130-1062	15	235B0510	1
11048-1908	34	13087-1151	6	13161-1225	9	14090-A013	31	220B0412	31	235B0514	9
11048-1909	34	13088-1110	6	13168-A002	26	14090-A014	31	220B0530	26	235C0614	2
11048-A014	42	13088-1111	6	13183-1480	6	14090-A015	31	220B0550	26	236D0616	15
11049-1696	34	13089-1087	6	13183-1728	11	14090-A028	11	220B0612	13	25005-A034	31
11049-A004	35	13091-1710	8	13183-1979	2	15003-1107	12	220B0635	10	25031-A027	31
11050-1264	26	13091-1757	8	13194-1092	6	16002-004	12	220C0412	26	26004-1088	38
11050-1265	26	13091-1782	6	131G08105	17	16003-004	12	220C0508	34	26006-1003	38
11050-1331	26	13091-1787	6	131G0875	17	16004-1062	12	220C0610	26	26011-1436	38
11050-A028	10	13095-1283	6	13206-1058	5	16007-1044	12	220C0614	12	26011-1501	38
11060-1109	3	13095-1309	6	13236-1280	9	16008-011	12	220C0616	12	26011-A011	38
11060-1137	3	130B0610	38	13236-1281	9	16009-1641	12	220C0620	11	26012-1267	38
11060-1634	13	130B0818	19	13242-1297	9	16012-1058	12	220C0635	11	26030-A016	38

## MAGIC

## Numerical Parts Index

Part N°.	Group N°	Part N°.	Group N°	Part N°.	Group N°	Part N°.	Group N°	Part N°.	Group N°	Part N°.	Group N°
27002-1103	38	35023-1328	20	41075-2217/18	22	46075-A005	26	550D2525	23	670B2016	2
27003-1394	38	35023-A016	20	41075-2717/18	22	46091-1346	26	550D3025	24	703A07310	2
27005-1175	39	36001-1555-NP	33	41075-3017/18	22	46091-1347	26	550D3030	21	92001-082	24
27010-1298	39	36001-A012-NP	33	41082-001	23	46092-1013	26	551A0312	4	92001-1091	28
27010-1311	39	36014-A005	33	41085-003	24	46092-A013	26	56001-1455	26	92001-1455	10
27011-011	39	36014-A006	33	41085-013	23	46092-A014	26	56001-1456	26	92001-1464	27
27012-1452	30	39021-1056	26	410B0400	31	461B0400	31	56007-1394	40	92001-1583	28
27016-1102	39	39111-1086	9	410B0600	26	480J1600	5	56008-1007	40	92001-1705	28
28012-1074	39	39130-1070	6	410B1200	24	480J1700	7	56017-A037	41	92001-1862	20
311J0600	9	39156-1378	17	410F1200	18	480J1800	9	56018-A277	41	92001-1862	28
314B0800	25	41023-1002	22	411B0800	3	482L5000	5	56018-A358	41	92001-1926	29
314B1200	18	41025-003	22	411B0800	28	49006-1084	12	56018-A359	41	92002-1105	10
315B1000	24	41025-006	22	411B1000	23	49006-1203	12	56018-A435	41	92002-1111	26
315G1200	19	41025-1279	22	42010-005	24	49006-1223	2	56018-A436	41	92002-1473	13
317B0800	28	41025-1385	22	42014-016	24	49035-1059	1	56046-A984	41	92002-1570	10
32065-1275	20	41029-1209	22	42016-1168	24	49047-1096	8	56046-A985	41	92002-1616	30
32074-1162	39	41030-1124	22	42034-1144	24	49099-1407	3	56046-A986	41	92002-1829	18
32098-1117	17	41034-1246	23	42036-1292	24	49106-1168	3	56046-A987	41	92009-1014	10
32099-A001	26	41035-1481	23	42041-098	24	51001-A013	28	56046-A988	41	92009-1018	26
320B1000	23	41036-1153	6	42041-1412	24	51023-1212	28	56046-A989	41	92009-1104	5
32109-A012	17	41038-1269	23	42041-A023	24	51048-1120	28	56046-A990	41	92009-1111	34
32160-A027	16	41038-1275	24	43001-1373	25	51049-1096	29	56046-A991	41	92009-1158	30
33001-A018	18	41039-002	23	43007-1160	25	510A3200	4	56046-A992	41	92009-1182	34
33032-1166	18	41043-1098	23	43010-A003	25	52001-1088	29	59051-1267	5	92009-1256	30
33040-1057	18	41048-017	23	43058-1082	27	52005-1055	11	59071-1125	39	92009-1256	34
33040-1120	18	41048-017	24	44005-1348	27	52005-1100	28	59071-1127	2	92009-1287	20
34003-A018	19	41050-012	24	44006-1346	27	53001-1786	30	59441-1133	26	92009-1287	33
34003-A019	19	41050-018	23	44013-1406	27	53009-A006	30	59441-A700	26	92009-1287	34
34003-A020	19	41053-005	23	44022-1302	27	53029-1160	42	59441-A701	26	92009-1288	20
34003-A021	19	41053-1036	24	44026-1567	27	53044-A009	34	59441-A702	26	92009-1288	30
34011-A006	21	41060-014	23	44026-1568	27	53063-A002	42	600A0800	5	92009-1288	33
34019-1054	21	41060-1026	23	44037-A018	27	54001-1204	32	600A0800	16	92009-1288	34
34024-A010	21	41062-005	23	44045-051	27	54005-1179	32	601A6201	10	92009-1355	36
34025-005	21	41063-001	23	44070-1362	27	54012-A006	32	601A6203	10	92009-1403	3
34028-1349	19	41064-010	23	44070-1363	27	54017-A003	32	601A6203U	10	92009-1503	26
34028-1350	19	41068-1372	24	45014-1559	18	55020-A026	18	601B6004	24	92009-1522	13
35004-1354-NP	20	41068-1373	23	45016-008	18	55028-1307-NP	34	601B6200	23	92009-1652	33
35004-1355	20	41070-2217-NR53/18	22	45017-012	18	55028-1308-NP	34	601B6300Z	23	92009-1661	17
35004-A702	20	41070-2517-NR53/18	22	45017-015	18	550D2015	19	601B6301	24	92009-1662	20
35004-A703	20	41070-2717-NR53/18	22	46001-A002	26	550D2015	25	610A0406	8	92009-1664	2
35004-A704	20	41072-007	23	46019-A005	26	550D2018	25	670B1508	6	92009-1694	15

## MAGIC

## Numerical Parts Index

Part N°	Group N°	Part N°	Group N°	Part N°	Group N°	Part N°	Group N°	Part N°	Group N°	Part N°	Group N°
92009-1774	20	92022-1698	12	92048-008	16	92066-1370	10	92111-1051	40	92160-1527	26
92009-1792	35	92022-1705	24	92048-1074	6	92066-1376	2	92112-1001	40	92160-1660	19
92009-A019	42	92022-183	28	92048-1096	27	92066-1433	25	92143-1016	34	92160-1674	36
92009-A029	35	92022-1938	12	92049-002	10	92069-057	36	92143-1193	7	92160-1675	36
92009-A030	37	92022-315	5	92049-1048	10	92069-1019	35	92143-1298	9	92160-1678	34
92015-1151	1	92026-1063	4	92049-1398	10	92069-1088	36	92143-1521	24	92160-1679	34
92015-1178	9	92026-1091	7	92049-1410	10	92069-1088	37	92143-1533	24	92160-A025	34
92015-1180	19	92026-1411	5	92049-1422	10	92069-A002	31	92143-1661	6	92160-A036	30
92015-1183	3	92026-1415	6	92049-1432	27	92069-A003	31	92143-1663	6	92170-1477	2
92015-1183	6	92027-251	30	92050-002	23	92070-1202	15	92143-1665	4	92170-1508	10
92015-1188	21	92028-1526	10	92050-009	24	92070-1263	15	92143-1687	23	92170-1573	11
92015-1193	36	92028-1652	9	92050-063	23	92071-056	26	92143-1696	6	92170-1753	33
92015-1193	39	92033-1060	7	92051-003	11	92072-039	17	92143-A012	18	92170-2043	2
92015-1233	17	92033-1240	6	92051-005	10	92072-045	17	92144-1120	30	92190-1225	13
92015-1233	30	92036-007	4	92055-004	23	92072-1195	38	92144-1245	9	92190-1392	12
92015-1259	31	92037-1173	15	92055-004	24	92072-1237	38	92144-1271	12	92190-1393	13
92015-1347	6	92037-1272	12	92055-012	11	92073-019	38	92144-1339	9	92190-1504	13
92015-1364	18	92037-1459	32	92055-022	4	92074-004	33	92144-1340	9	92190-1617	10
92015-1406	17	92037-1568	2	92055-044	12	92075-1002	3	92144-1385	21	92190-A006	13
92015-1406	18	92037-1601	10	92055-052	6	92075-1067	26	92144-1388	6	92200-1087	30
92015-1428	25	92037-1601	13	92055-055	13	92075-1268	1	92144-1556	6	92200-1113	25
92015-1712	4	92037-1678	12	92055-091	9	92075-1368	1	92144-1964	35	92200-1114	9
92015-1752	30	92037-187	13	92055-1078	12	92075-1634	34	92144-1967	9	92200-1120	19
92015-1870	24	92043-1050	5	92055-1104	27	92075-1673	1	92150-1174	27	92200-1150	12
92015-1900	16	92043-1148	12	92055-1235	7	92075-1808	19	92150-1180	10	92200-1165	26
92015-1901	16	92043-1263	10	92055-1417	12	92081-020	5	92150-1406	11	92200-1215	26
92015-1908	4	92043-1264	1	92057-1344	24	92081-1153	12	92150-1433	8	92200-1216	26
92019-014	26	92043-1385	9	92059-1395	12	92081-122	5	92150-1450	9	92200-A001	26
92022-1143	20	92043-1464	19	92063-068	12	92081-1276	5	92150-1520	30	92210-1080	26
92022-1143	30	92043-1542	25	92063-094	12	92081-1766	23	92150-1544	25	95059-1396	12
92022-1143	33	92045-1123	6	92063-1029	12	92081-1766	24	92150-1545	21		
92022-1143	34	92045-1171	10	92063-1322	12	92081-1947	25	92150-1719	26		
92022-1143	42	92045-1294	11	92063-1323	12	92092-005	18	92150-1873	25		
92022-1187	12	92045-1302	10	92064-020	12	92093-1324	2	92150-1982	13		
92022-125	36	92045-1308	24	92064-032	12	92093-1377	27	92151-1069	6		
92022-125	39	92046-1034	10	92064-040	12	92107-005	40	92160-1031	1		
92022-1253	27	92046-1223	6	92064-1043	12	92107-1051	40	92160-1292	17		
92022-1521	33	92046-1224	6	92065-058	10	92110-1044	40	92160-1294	30		
92022-1521	34	92046-1225	6	92066-1064	12	92110-1113	40	92160-1304	35		
92022-1561	26	92047-011	16	92066-1301	17	92110-1152	40	92160-1312	11		
92022-1659	2	92048-006	16	92066-1364	17	92110-1153	40	92160-1313	25		